

[54] **BABY STROLLER**

[75] Inventors: **Shinroku Nakao, Yokohama; Kouichi Kobayashi, Tokyo, both of Japan**

[73] Assignee: **Combi Co., Ltd., Tokyo, Japan**

[**] Term: **14 Years**

[21] Appl. No.: **254,333**

[22] Filed: **Apr. 14, 1981**

[30] **Foreign Application Priority Data**

Nov. 13, 1980 [JP] Japan 55-47523

[51] Int. Cl. **D12-12**

[52] U.S. Cl. **D12/129**

[58] Field of Search **D12/129; 280/47.38, 280/642, 644, 647, 650, 658; 297/45, 39**

[56] **References Cited**

U.S. PATENT DOCUMENTS

- D. 247,618 3/1978 Sparkes D12/129
- D. 254,969 5/1980 Nakao et al. D12/129

Primary Examiner—James M. Gandy
Attorney, Agent, or Firm—Sughrue, Mion, Zinn, Macpeak & Seas

[57] **CLAIM**

The ornamental design for a baby stroller, as shown.

DESCRIPTION

FIG. 1 is a front and right side perspective view of a baby stroller showing our new design;
 FIG. 2 is a right side perspective view thereof;
 FIG. 3 is a left side perspective view thereof;
 FIG. 4 is a front perspective view thereof;
 FIG. 5 is a rear perspective view thereof;
 FIG. 6 is a top perspective view thereof; and
 FIG. 7 is a bottom perspective view thereof.

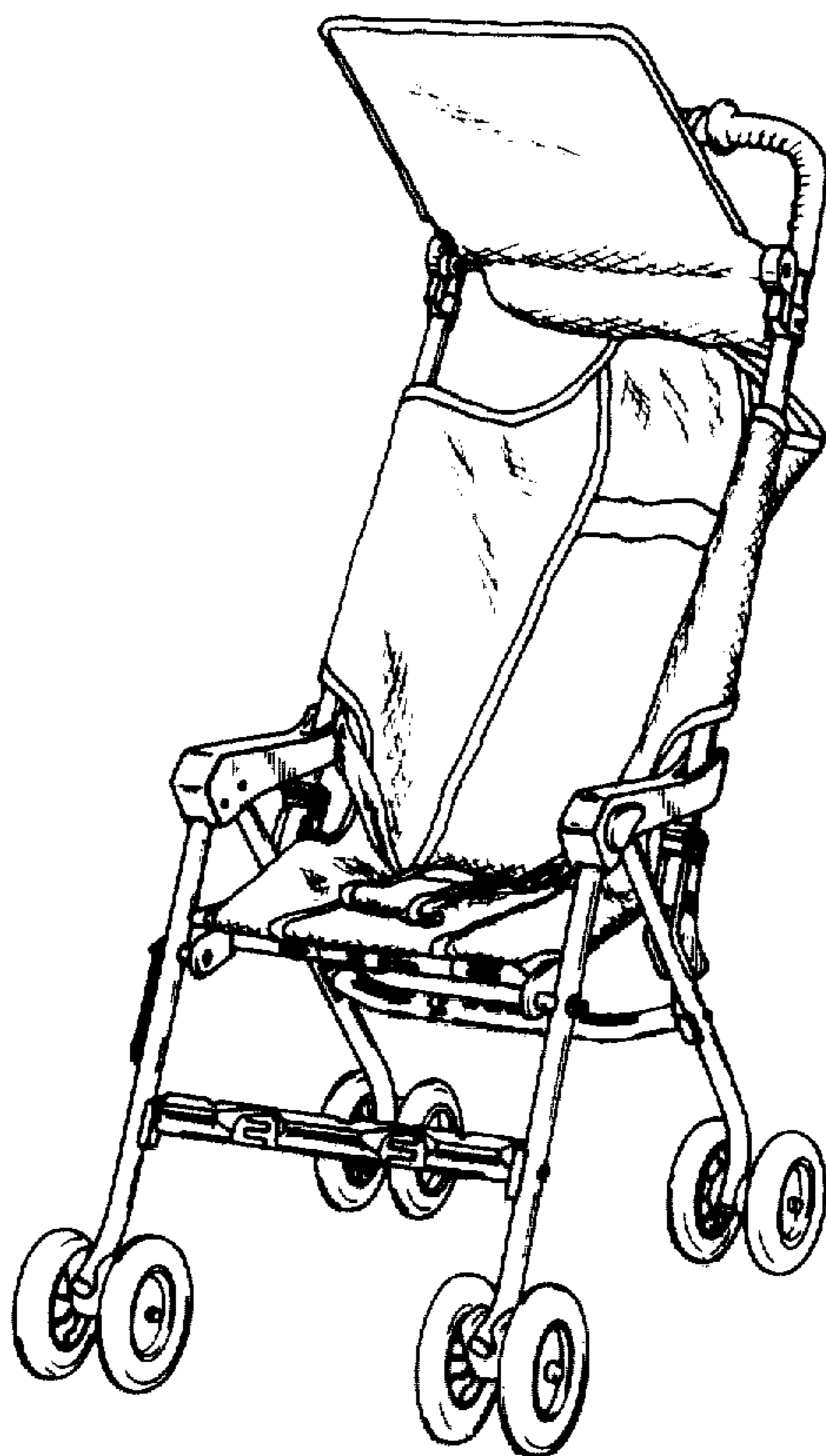


FIG. 2

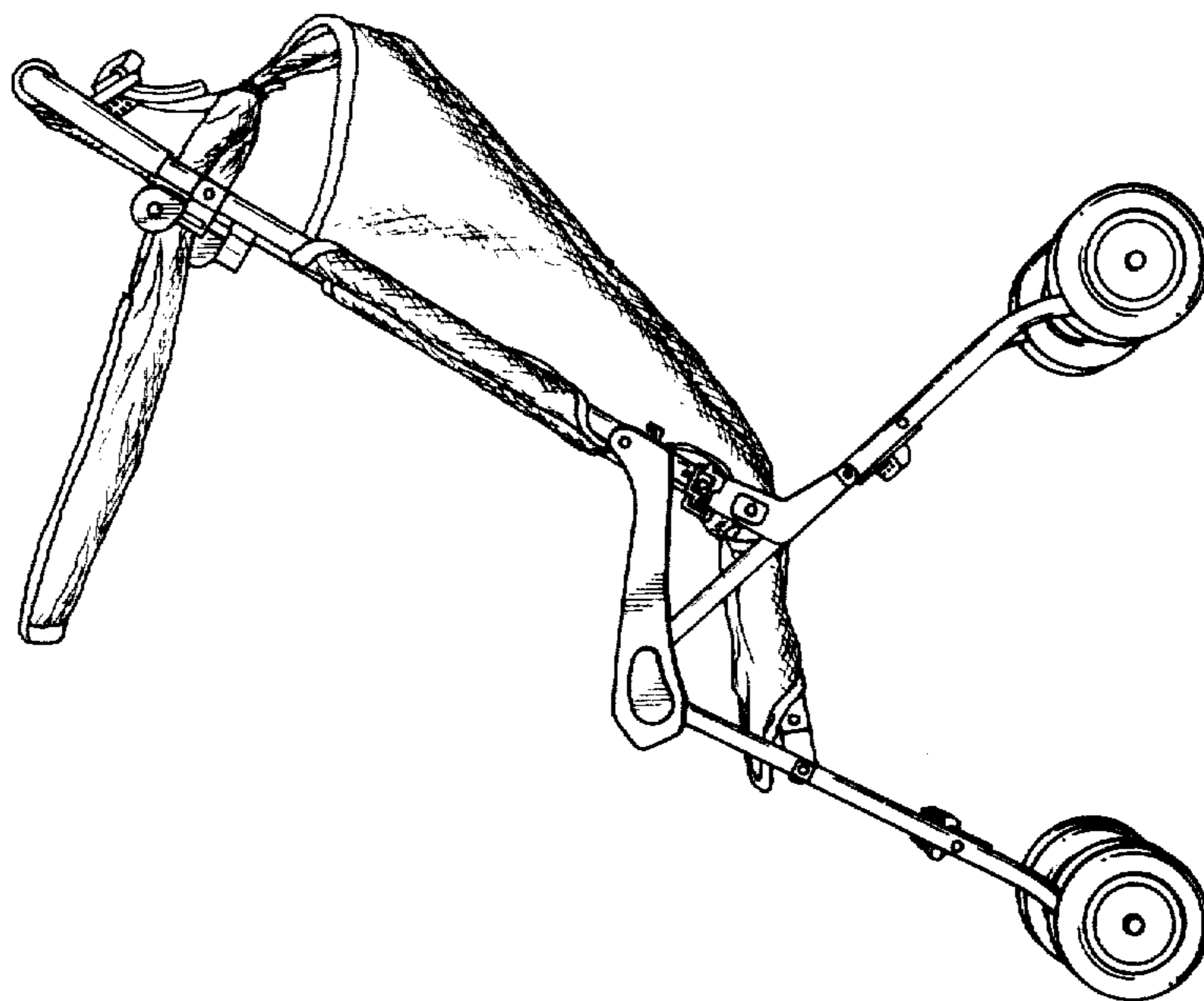


FIG. 1

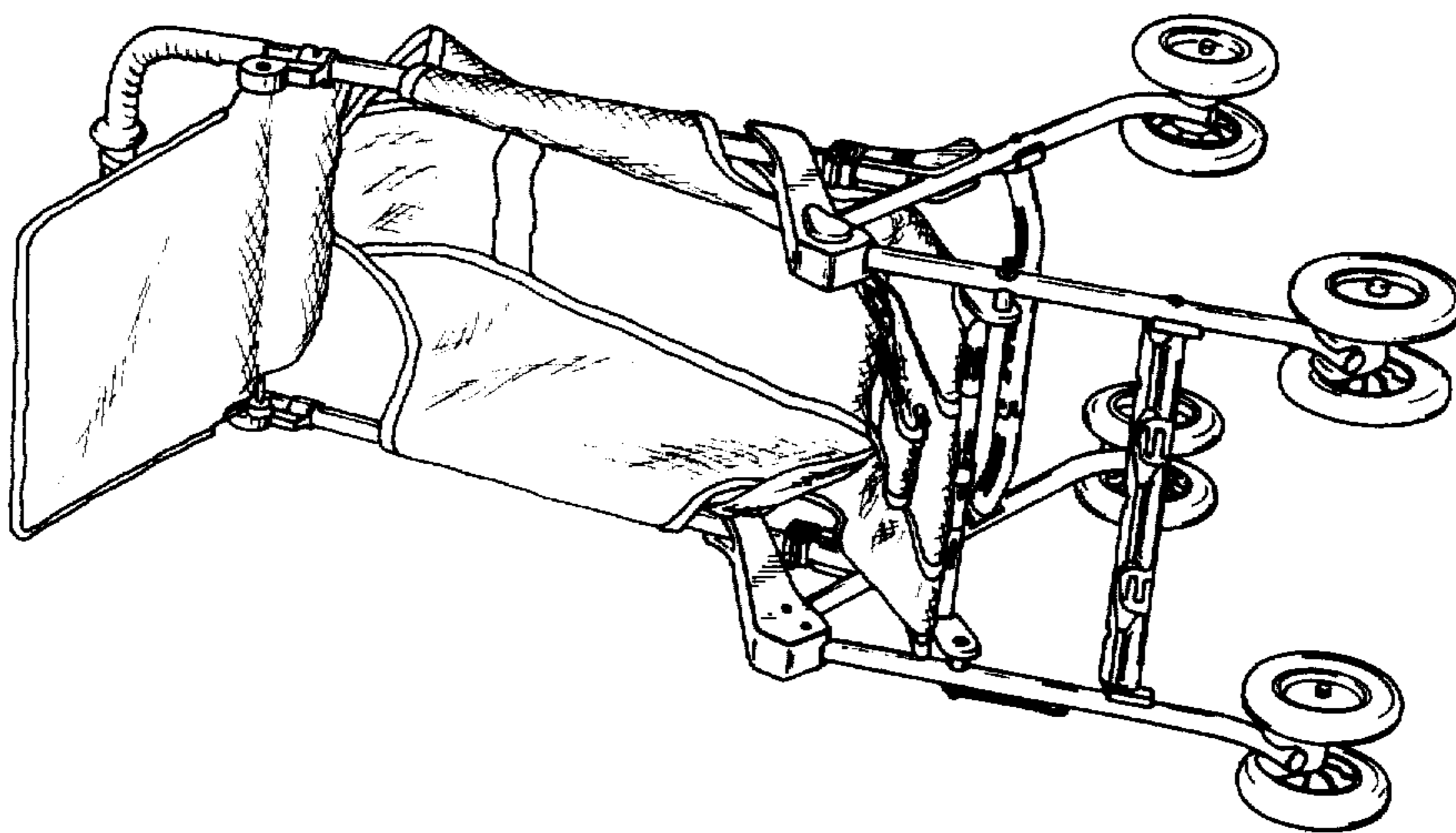


FIG. 4

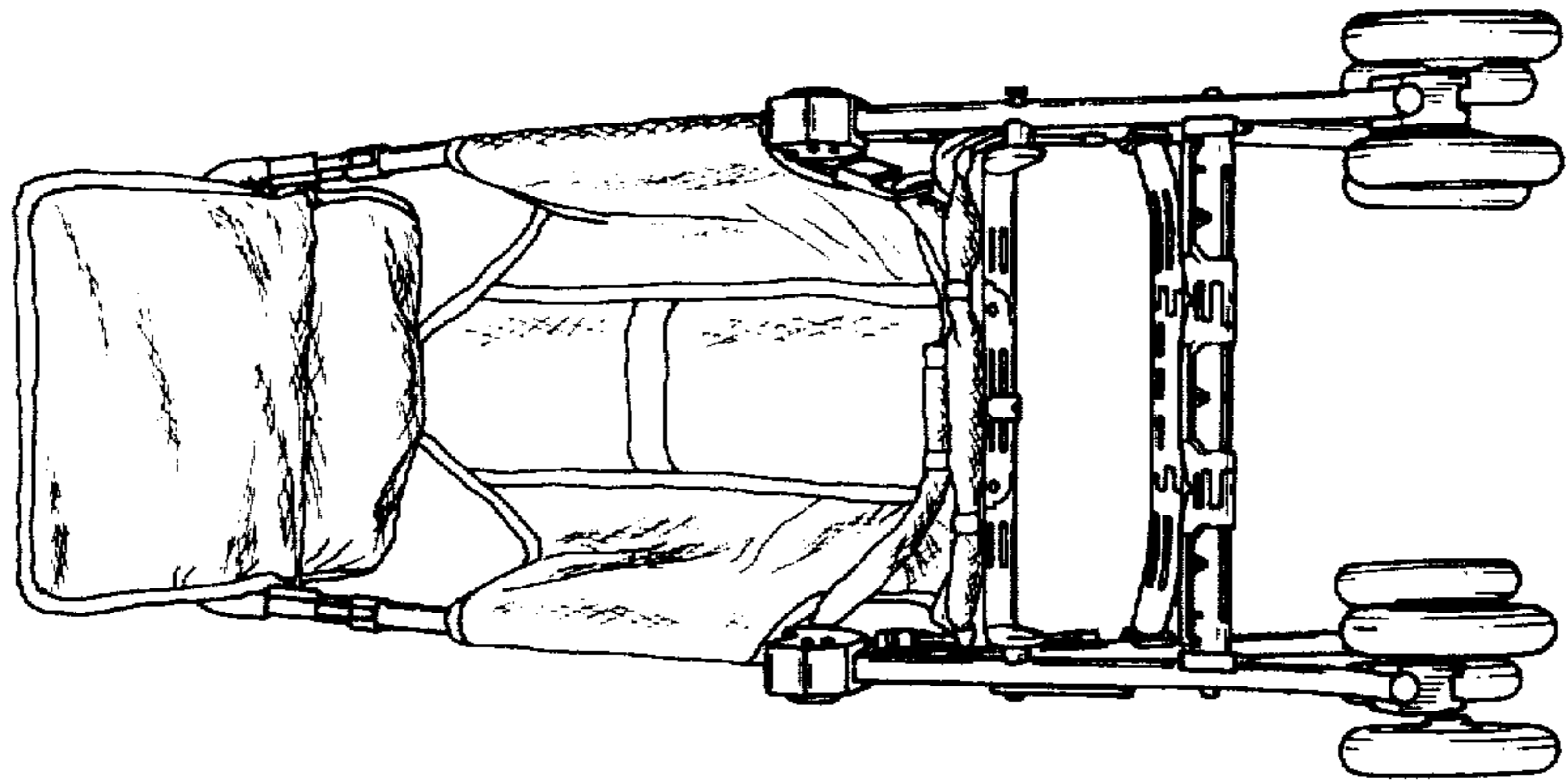


FIG. 3

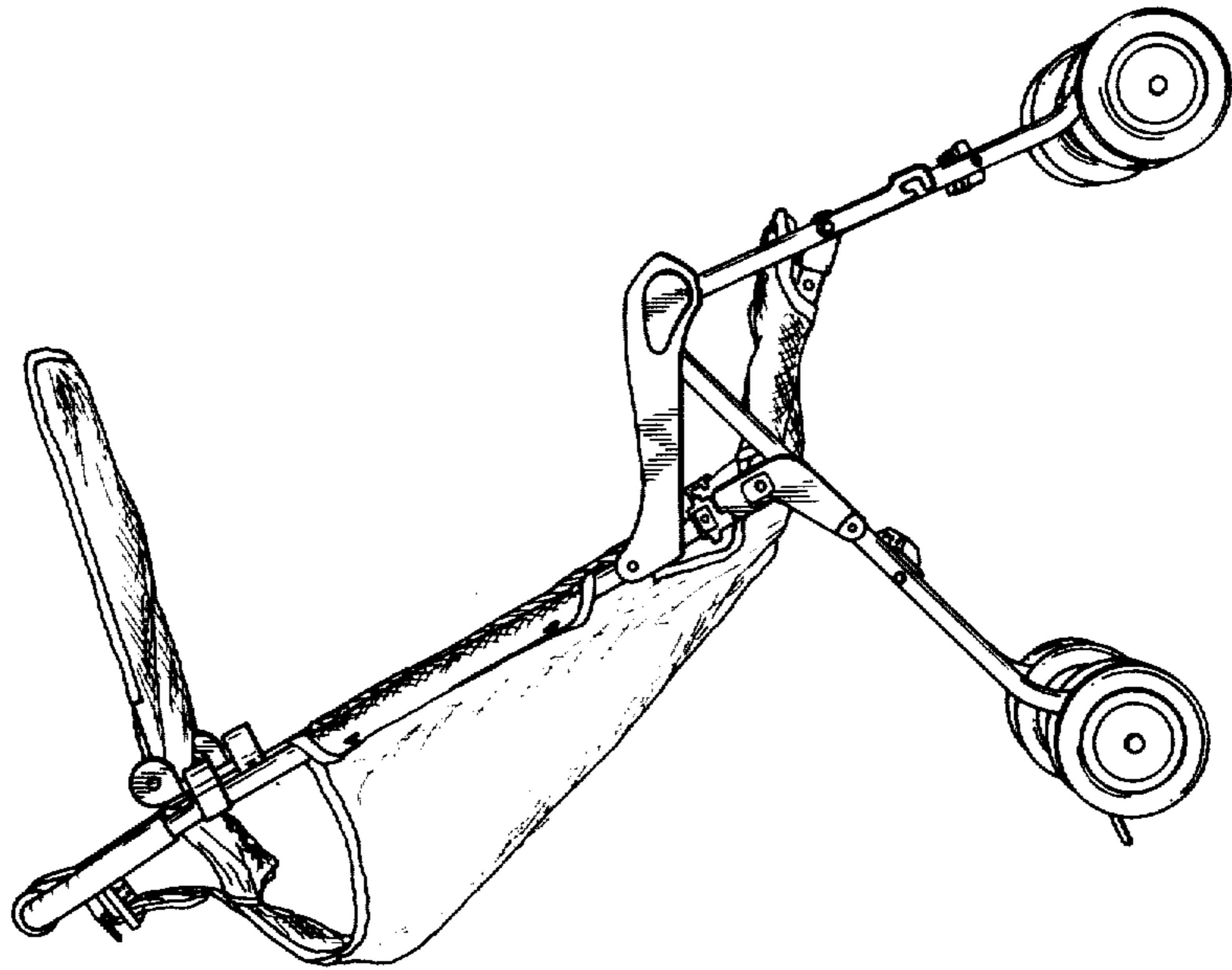


FIG. 5

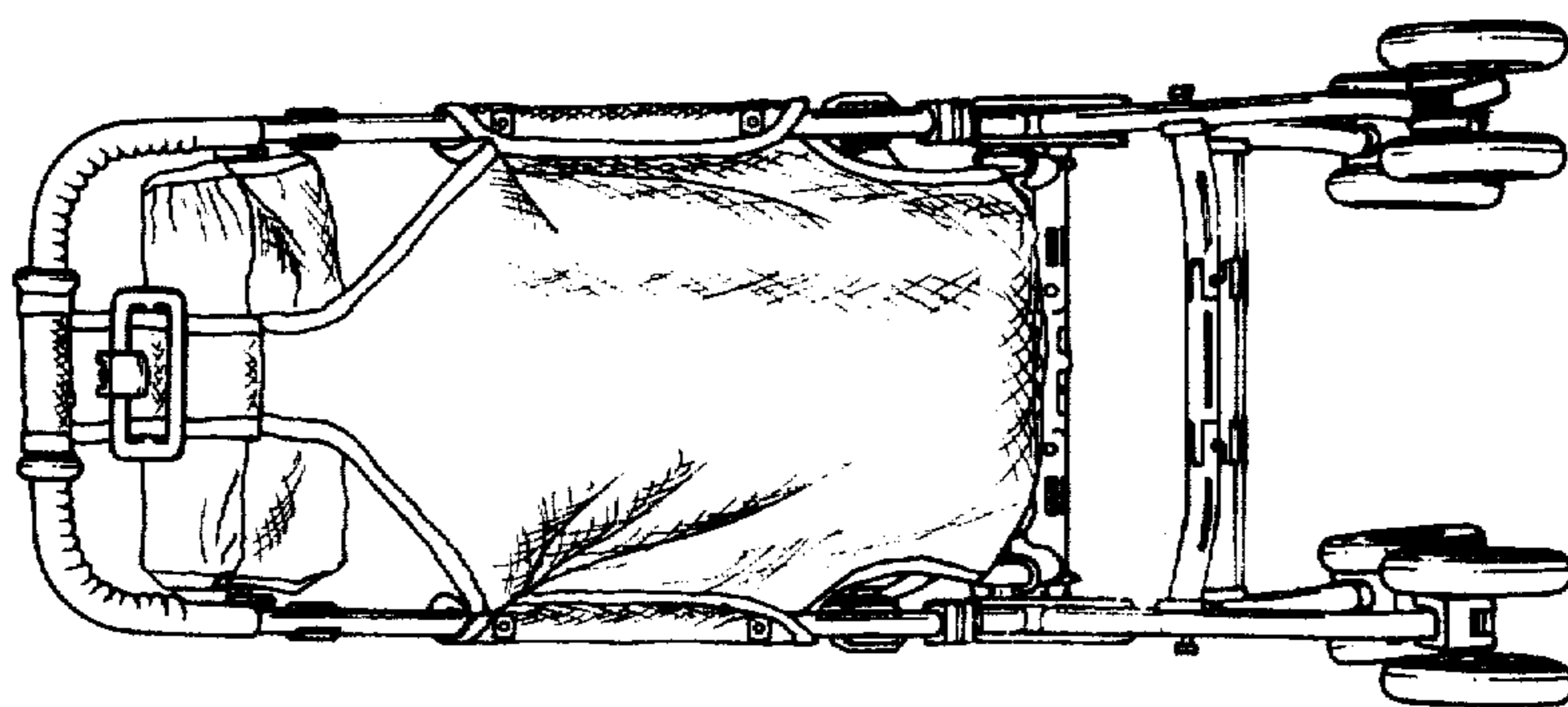


FIG. 6

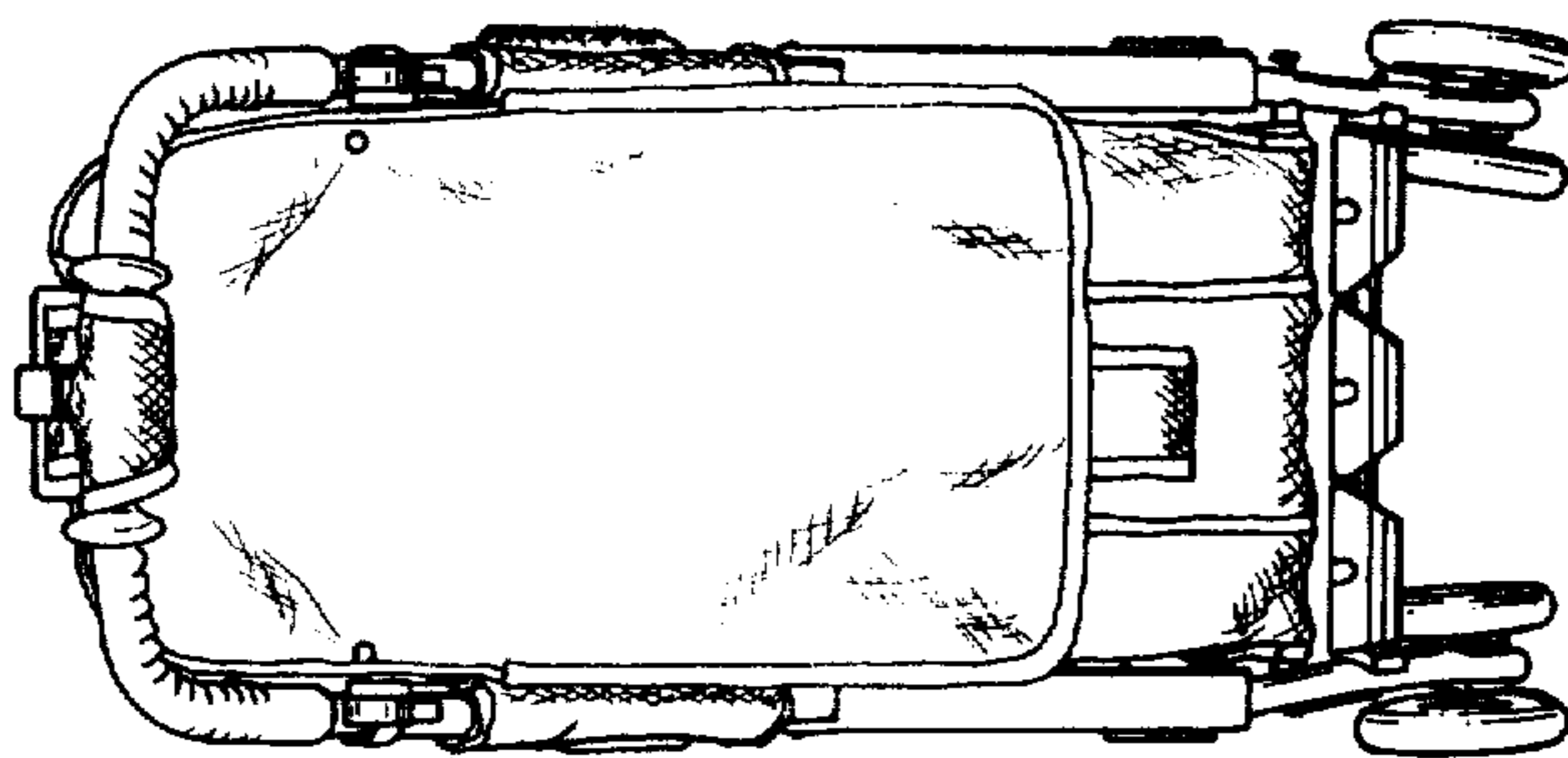


FIG. 7

