

[54] MOTOR TRICYCLE

[75] Inventors: Kazutaka Kimura, Kokubunji; Mituru Yamamoto, Fujimi, both of Japan

[73] Assignee: Honda Giken Kogyo Kabushiki Kaisha, Tokyo, Japan

[\*\*] Term: 14 Years

[21] Appl. No.: 286,837

[22] Filed: Jul. 27, 1981

[30] Foreign Application Priority Data  
Jan. 26, 1981 [JP] Japan ..... 56-2505

[51] Int. Cl. .... D12-11  
[52] U.S. Cl. .... D12/110  
[58] Field of Search ..... D12/110, 85; 180/210, 180/211, 215

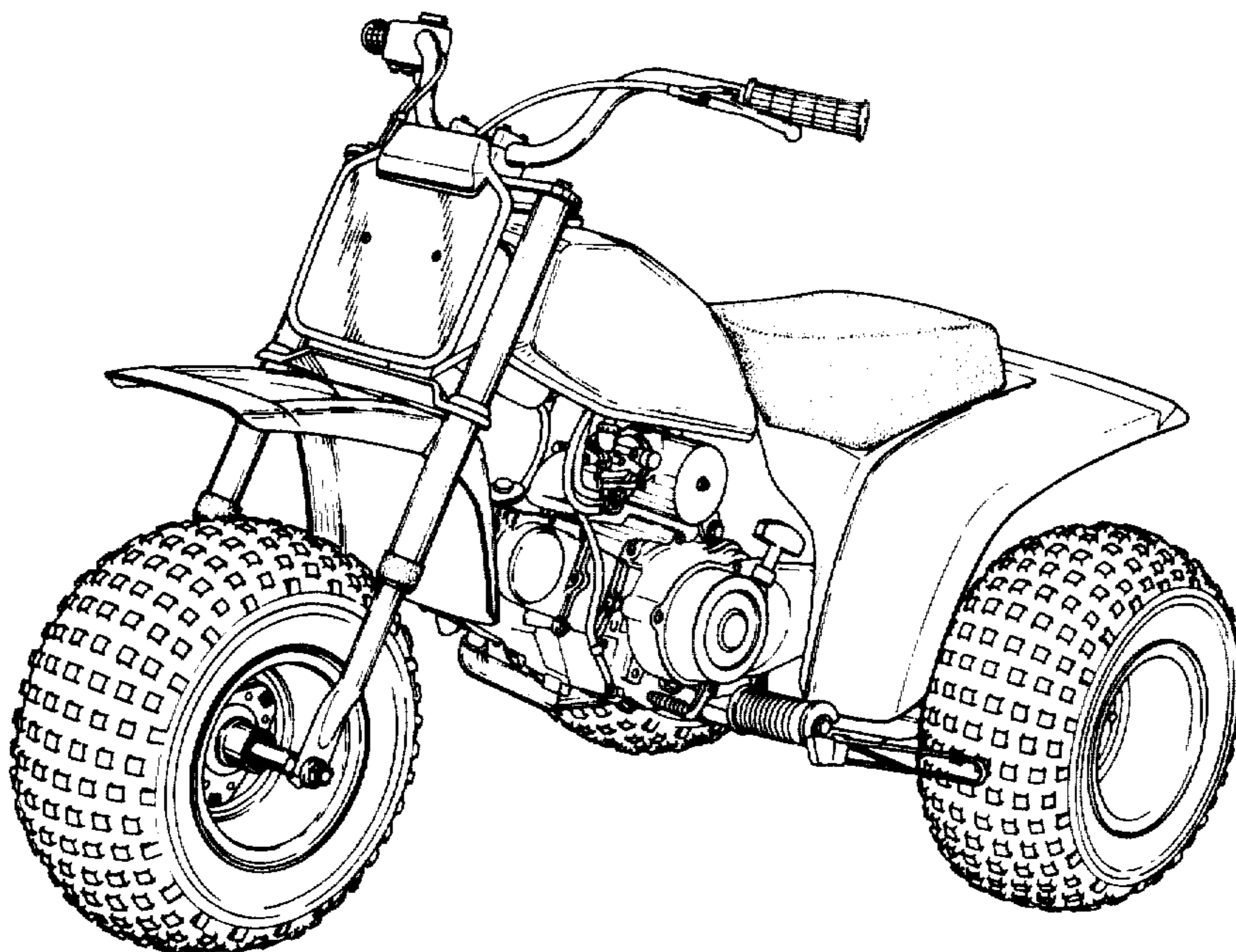
[56] References Cited  
U.S. PATENT DOCUMENTS  
D. 261,876 11/1981 Ishiyama ..... D12/110

OTHER PUBLICATIONS  
Snow Goer, 12/79, p. 7, Honda ATC 110.  
Cycle World, 9/80, p. 78, Kawasaki KLT 200, bottom of page.

Primary Examiner—James M. Gandy  
Attorney, Agent, or Firm—Sughrue, Mion, Zinn, Macpeak & Seas

[57] CLAIM  
The ornamental design for a motor tricycle, as shown.

DESCRIPTION  
FIG. 1 is a front and right side perspective view of a motor tricycle showing our new design;  
FIG. 2 is a front elevational view thereof;  
FIG. 3 is a right side elevational view thereof;  
FIG. 4 is a left side elevational view thereof;  
FIG. 5 is a top plan view thereof;  
FIG. 6 is a bottom plan view thereof; and  
FIG. 7 is a rear elevational view thereof.



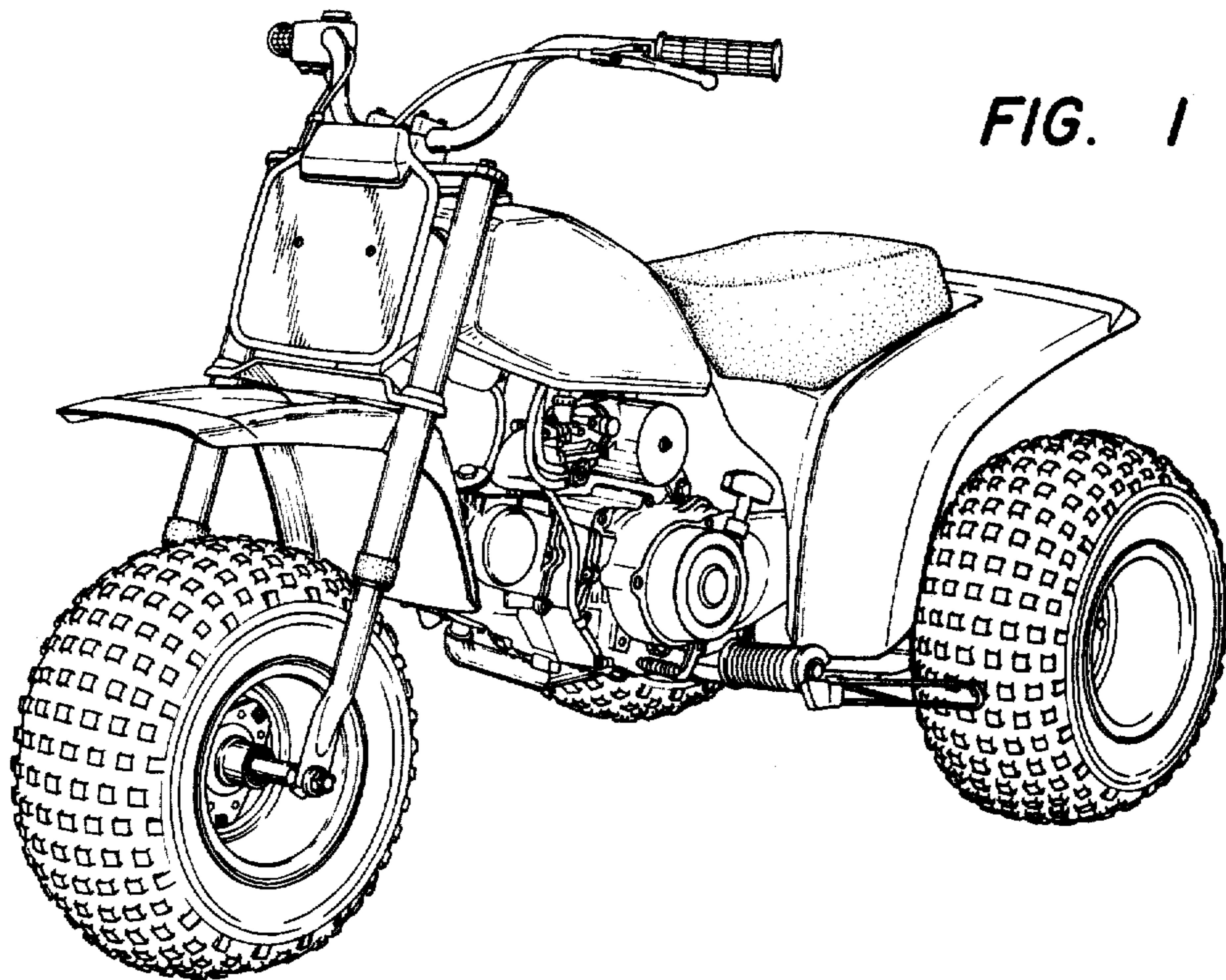
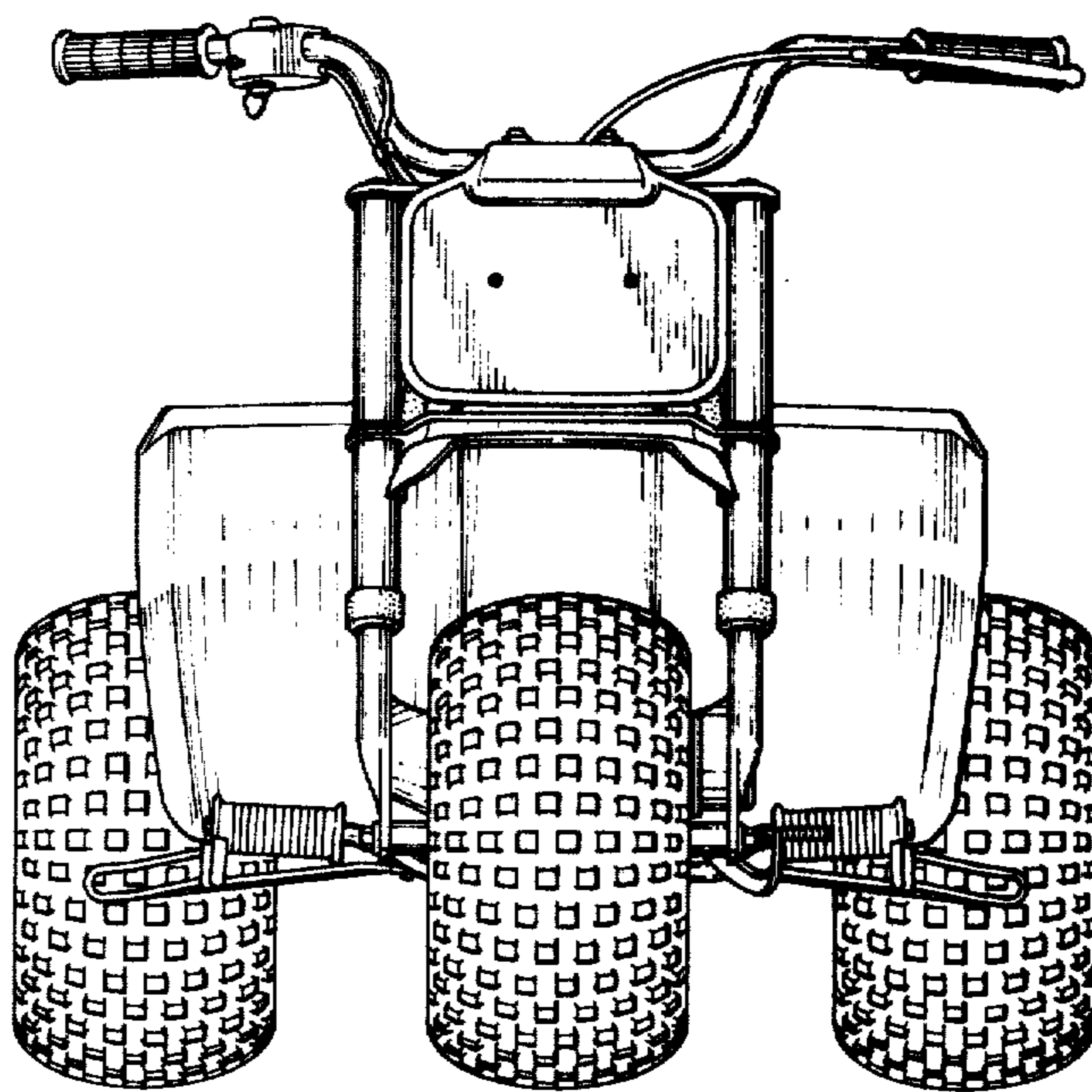
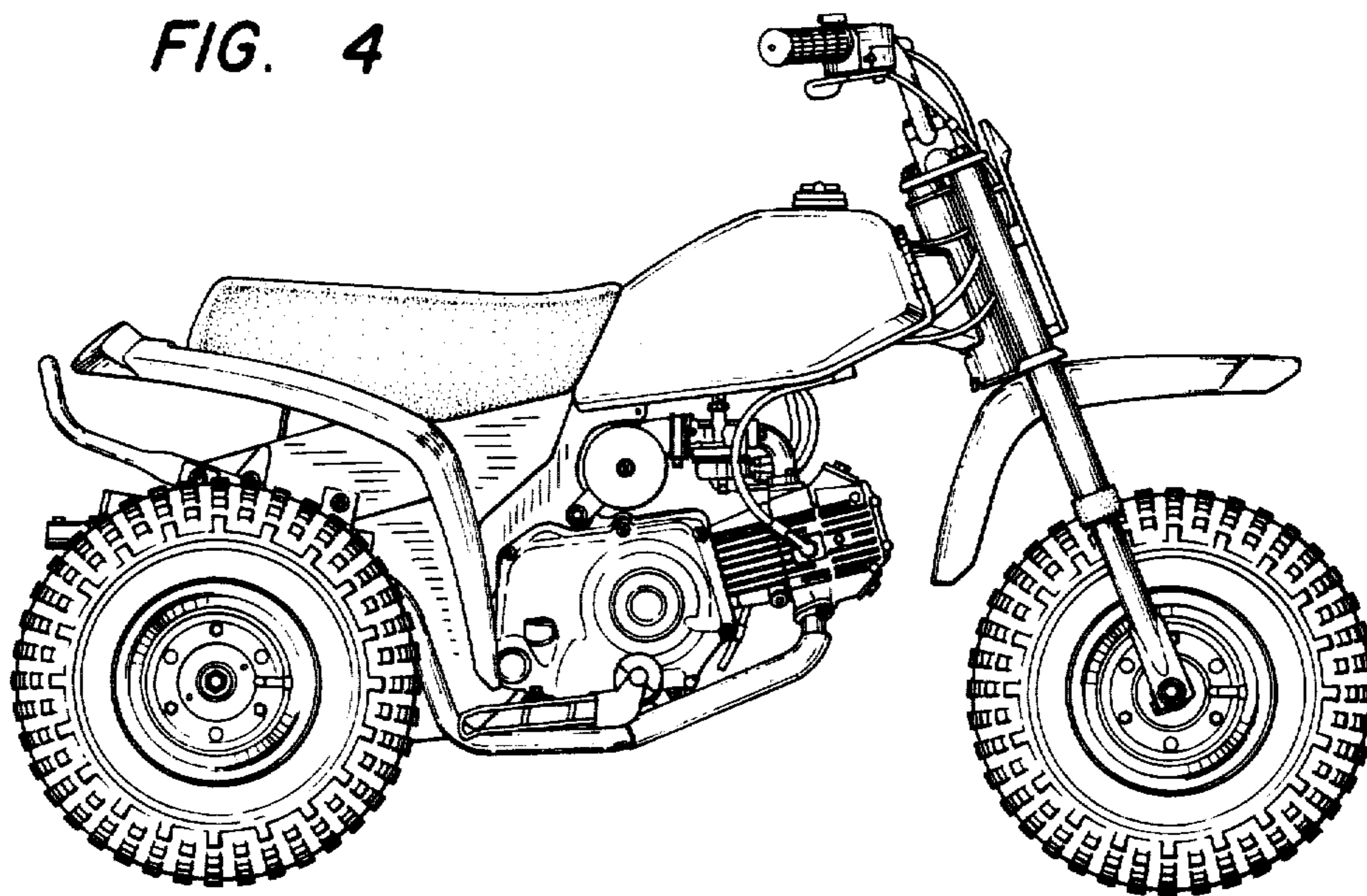
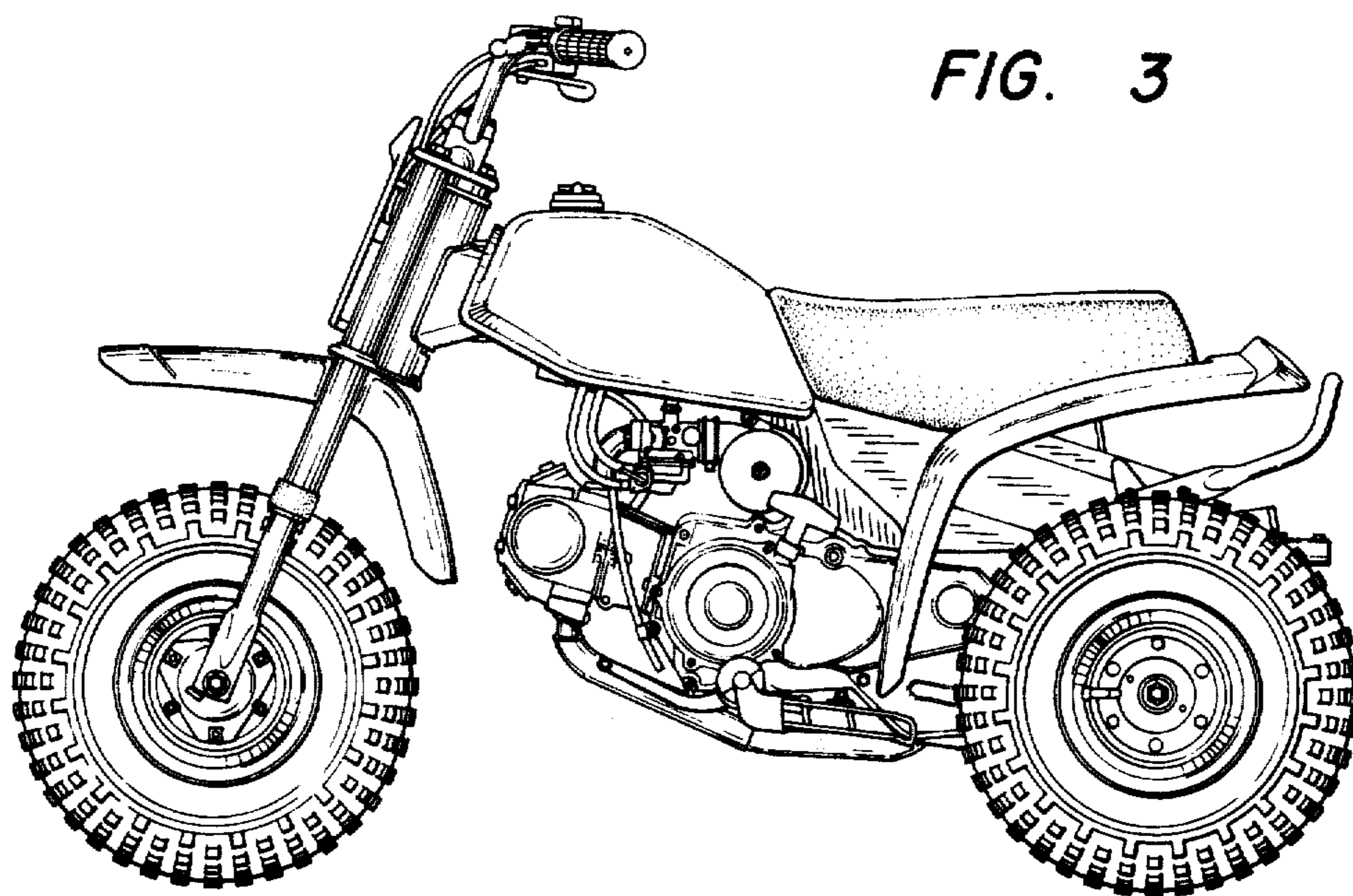


FIG. 1

FIG. 2





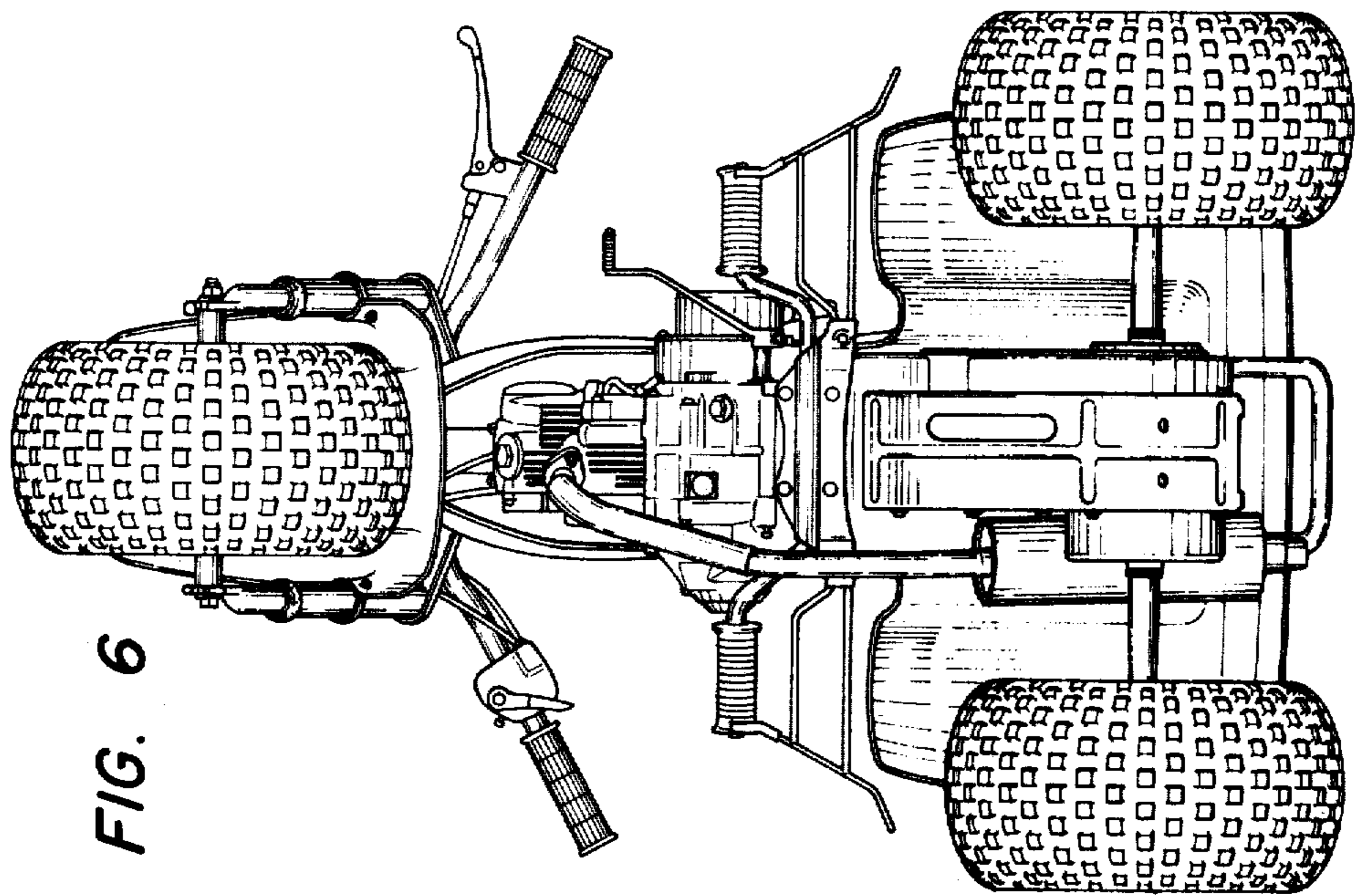


FIG. 6

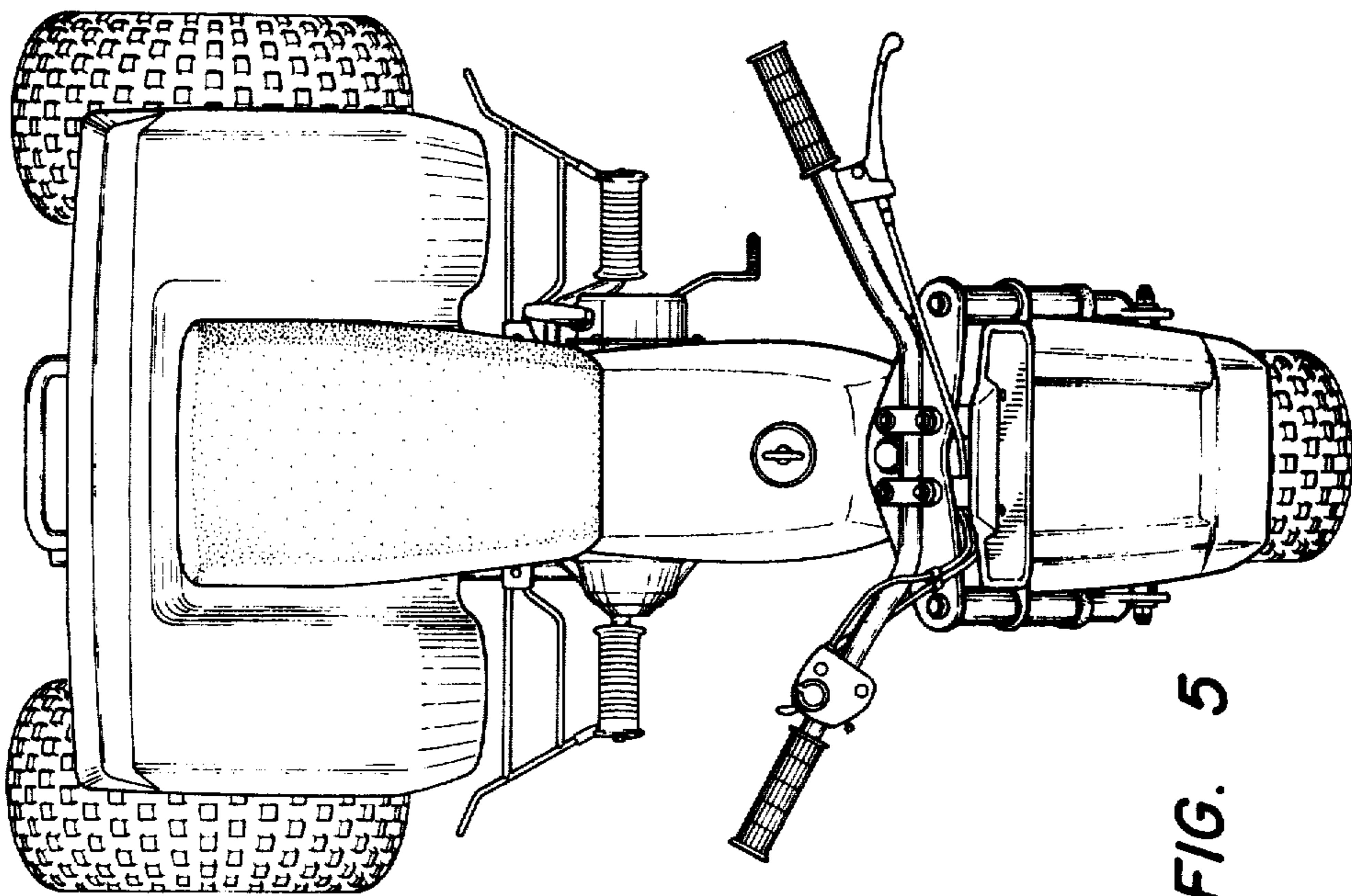


FIG. 5

FIG. 7

