

[54] COMBINED SPICE RACK AND STORAGE UNIT

3,379,315 4/1968 Broadwin 211/74

[76] Inventor: Fred T. Pielert, 4804 Washburn Ave. South, Minneapolis, Minn. 55410

[**] Term: 14 Years

[21] Appl. No.: 206,457

[22] Filed: Nov. 13, 1980

[51] Int. Cl. D06-04

[52] U.S. Cl. D6/188; D7/81; D9/418

[58] Field of Search D6/85, 157, 186, 188, D6/125, 19, 189; D7/52, 81; D9/418, 431; D30/3, 4; 217/19; 220/21; 211/71, 74, 77, 78

[56] References Cited

U.S. PATENT DOCUMENTS

- D. 233,086 10/1974 Gismondi D6/19
- D. 236,784 9/1975 Kapnek D6/188 X
- 938,809 11/1909 Alexander et al. 211/77

OTHER PUBLICATIONS

House & Garden, Aug. 1958, p. 29, Wall Mounted Spice Rack on page.

Primary Examiner—Joel Stearman
Assistant Examiner—Carmen H. Vales
Attorney, Agent, or Firm—Merchant, Gould, Smith, Edell, Welter & Schmidt

[57] CLAIM

The ornamental design for a combined spice rack and storage unit, substantially as shown and described.

DESCRIPTION

FIG. 1 is a top, front perspective view of a combined spice rack and storage unit showing my new design; FIG. 2 is a bottom, rear perspective view thereof; FIG. 3 is an exploded perspective view thereof; FIG. 4 is an enlarged sectional view taken along line 4-4 of FIG. 1, the broken line showing of bottles is for illustrative purposes only.

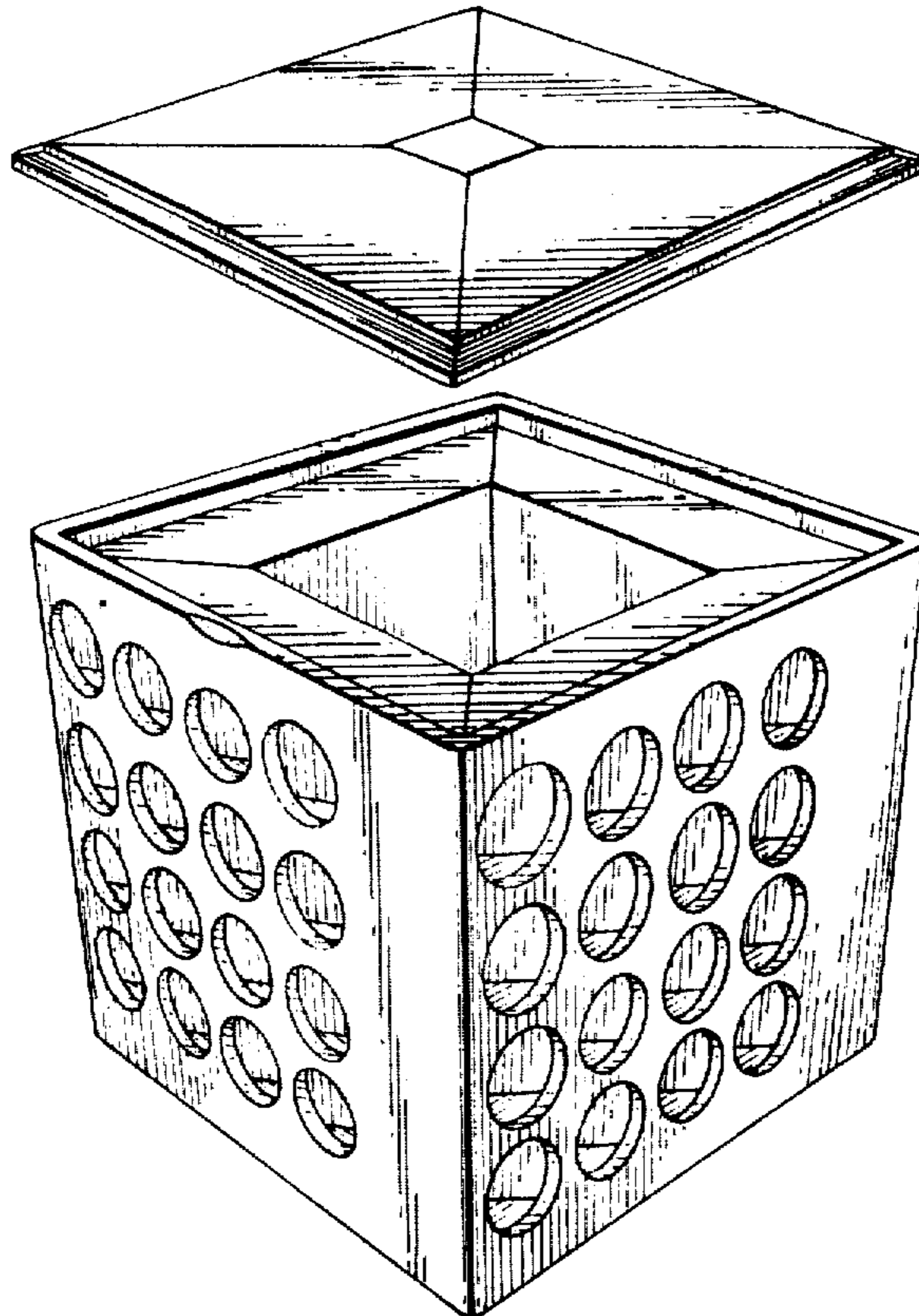


FIG. 1

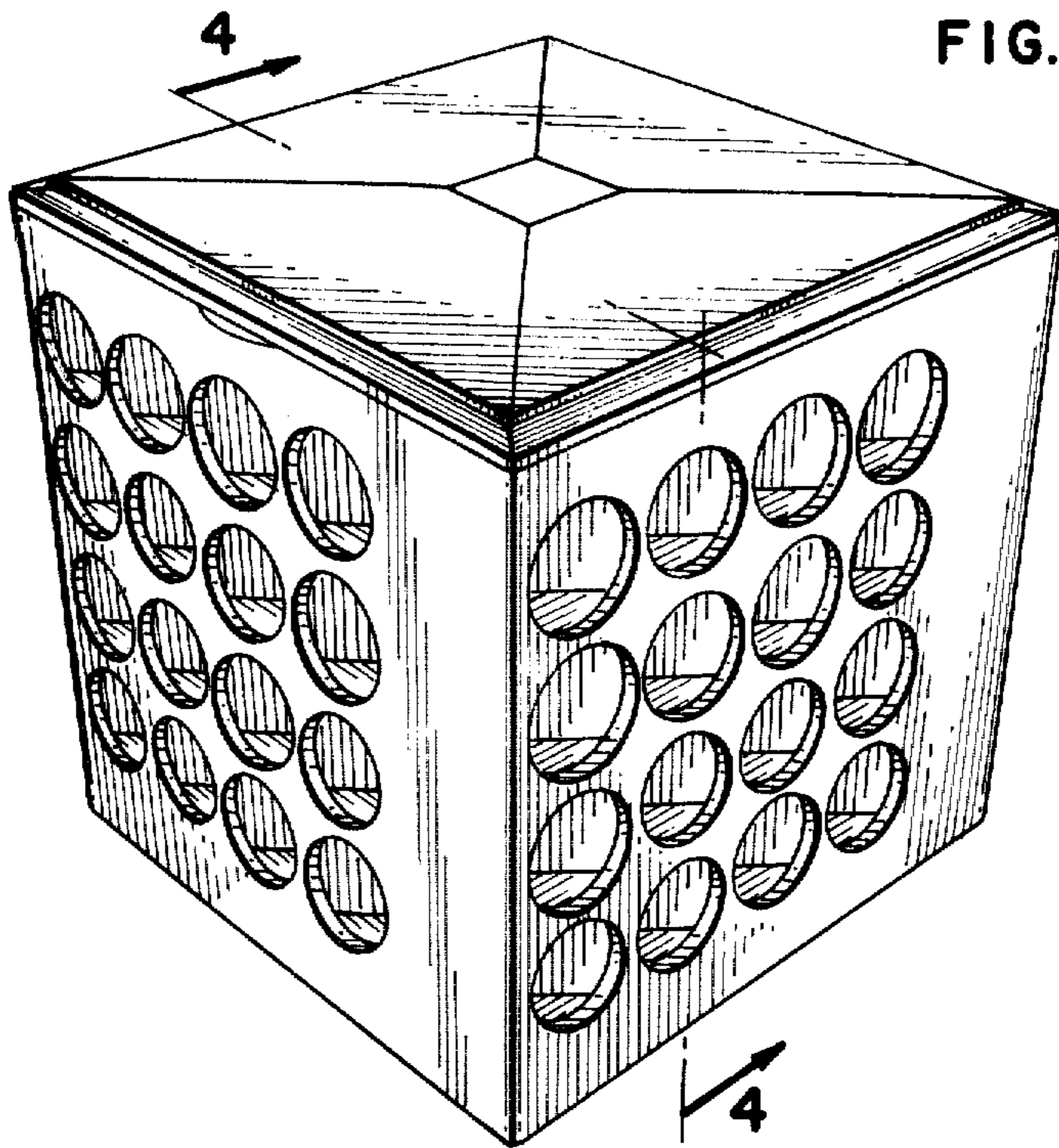
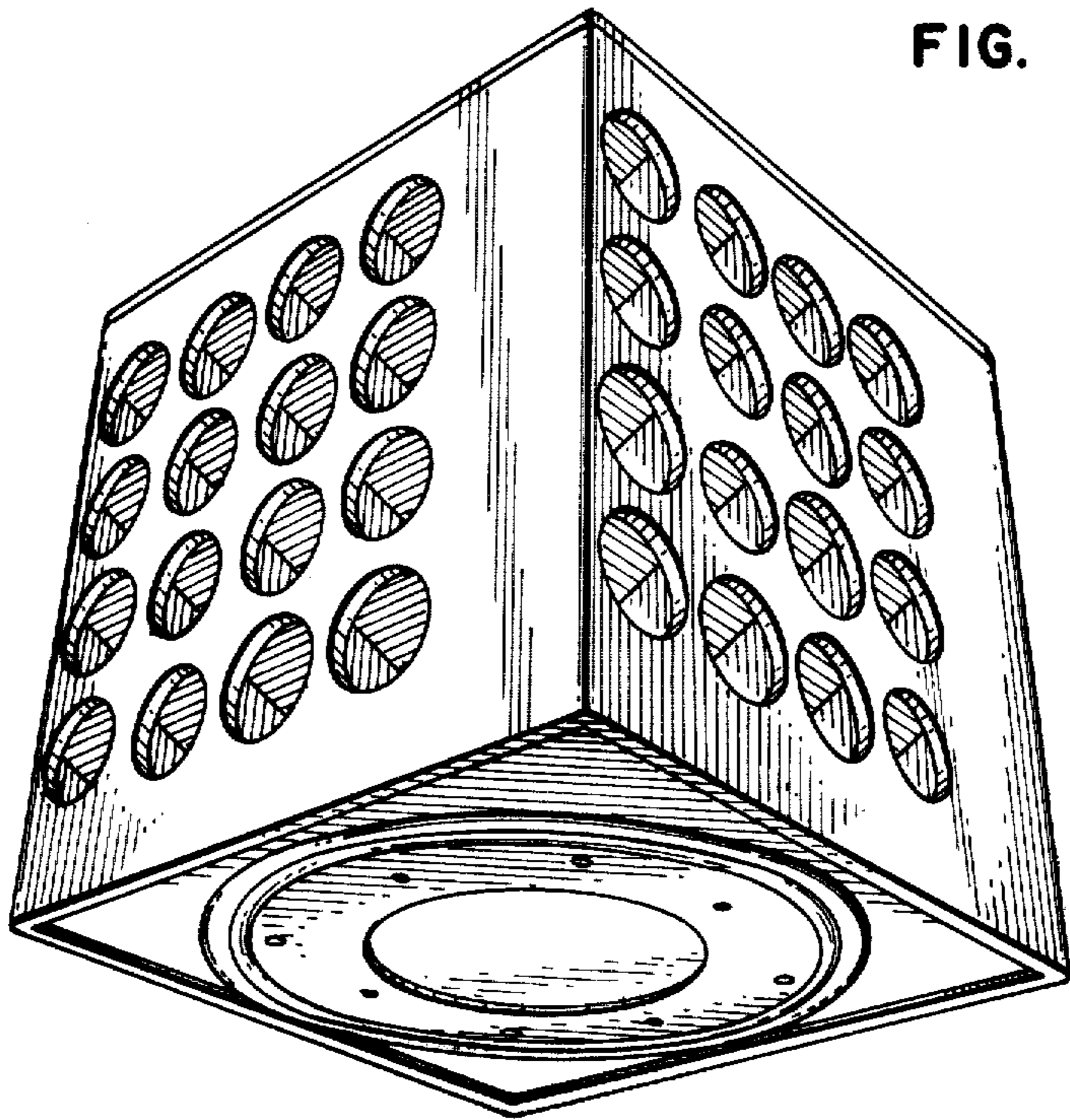


FIG. 2



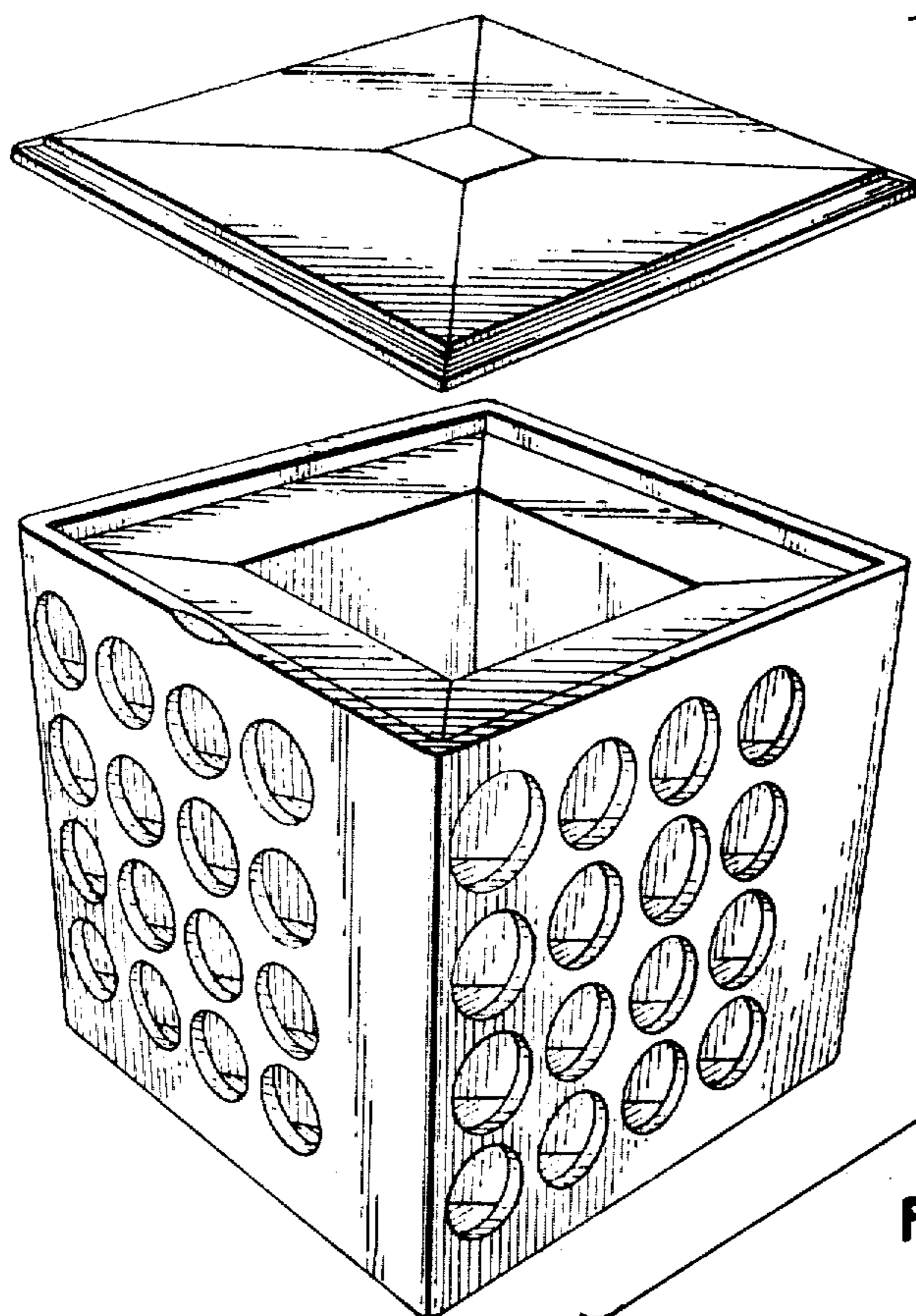


FIG. 3

FIG. 4

