

[54] **DESK OR SIMILAR ARTICLE**  
[75] **Inventor: Warren Platner, Guilford, Conn.**  
[73] **Assignee: Litton Business Systems, Inc., Burlington, Iowa**  
[\*\*] **Term: 14 Years**  
[21] **Appl. No.: 223,753**  
[22] **Filed: Jan. 9, 1981**

D. 234,661 4/1975 Ball ..... D6/161  
D. 251,581 4/1979 Breidenbach ..... D6/161

**OTHER PUBLICATIONS**

Interiors, 9-1973, p. 125, Desk bottom right by Willis.

*Primary Examiner*—Bruce W. Dunkins  
*Attorney, Agent, or Firm*—Michael H. Wallach; Robert F. Rotella

[57] **CLAIM**

The ornamental design for a desk or similar article, as shown and described.

**Related U.S. Application Data**

[62] Division of Ser. No. 914,285, Jun. 9, 1978.  
[51] **Int. Cl. .... D6-04**  
[52] **U.S. Cl. .... D6/161**  
[58] **Field of Search .... D6/160-181**

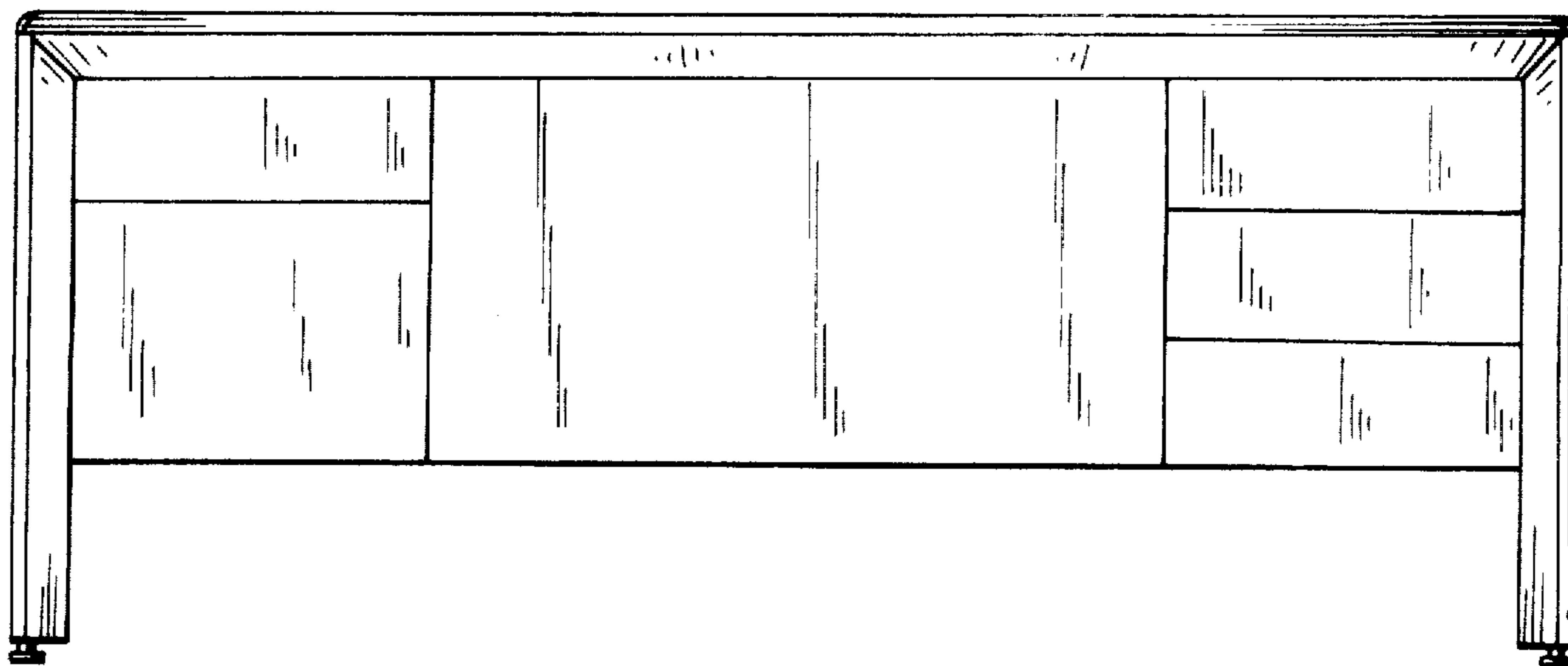
**DESCRIPTION**

FIG. 1 is a front elevation view of my invention, the article shown being a desk or similar article;  
FIG. 2 is a top plan view thereof;  
FIG. 3 is a rear elevation view thereof;  
FIG. 4 is a right side elevation view thereof;  
FIG. 5 is a bottom plan view thereof;  
The side of the desk not shown is a mirror image of the side shown in FIG. 4.

[56] **References Cited**

**U.S. PATENT DOCUMENTS**

D. 191,450 10/1961 Abrahamson et al. .... D6/161  
D. 218,448 8/1970 Chichester, Jr. .... D6/161



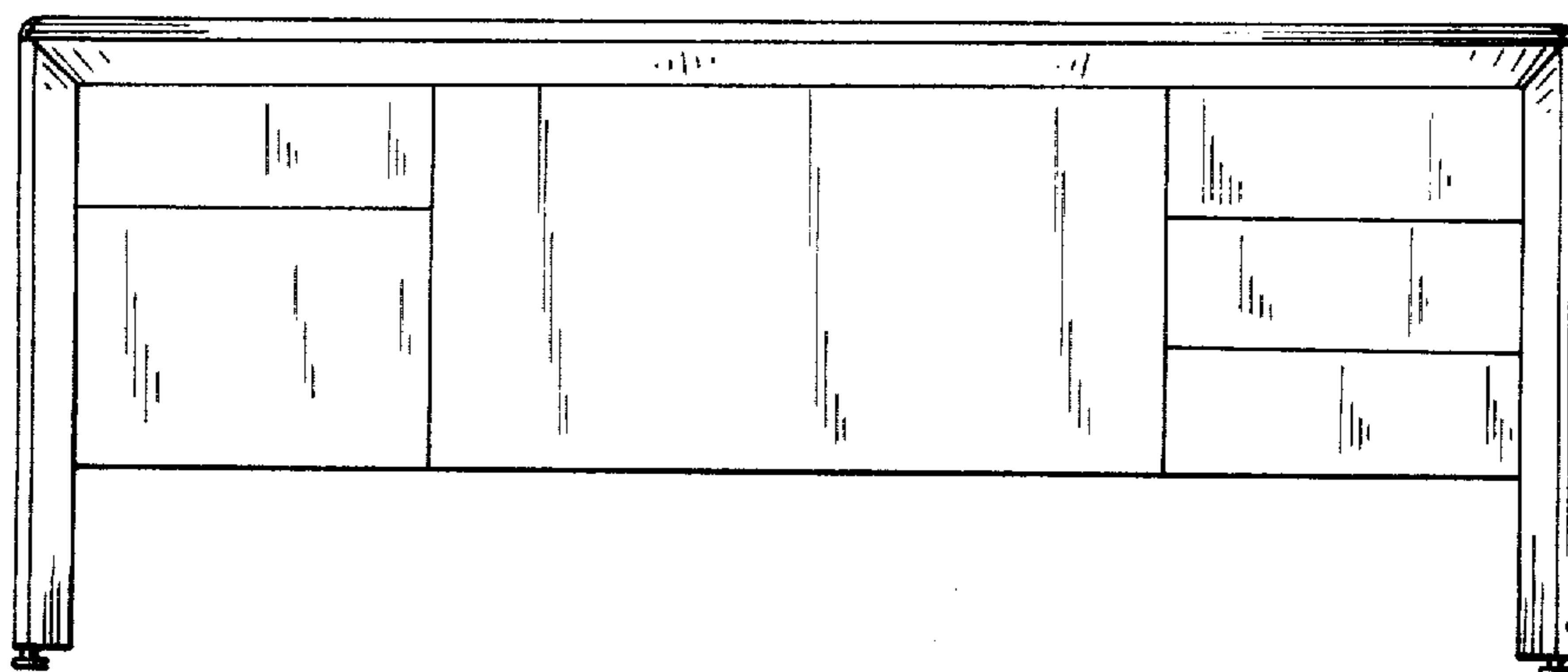


FIG. 1

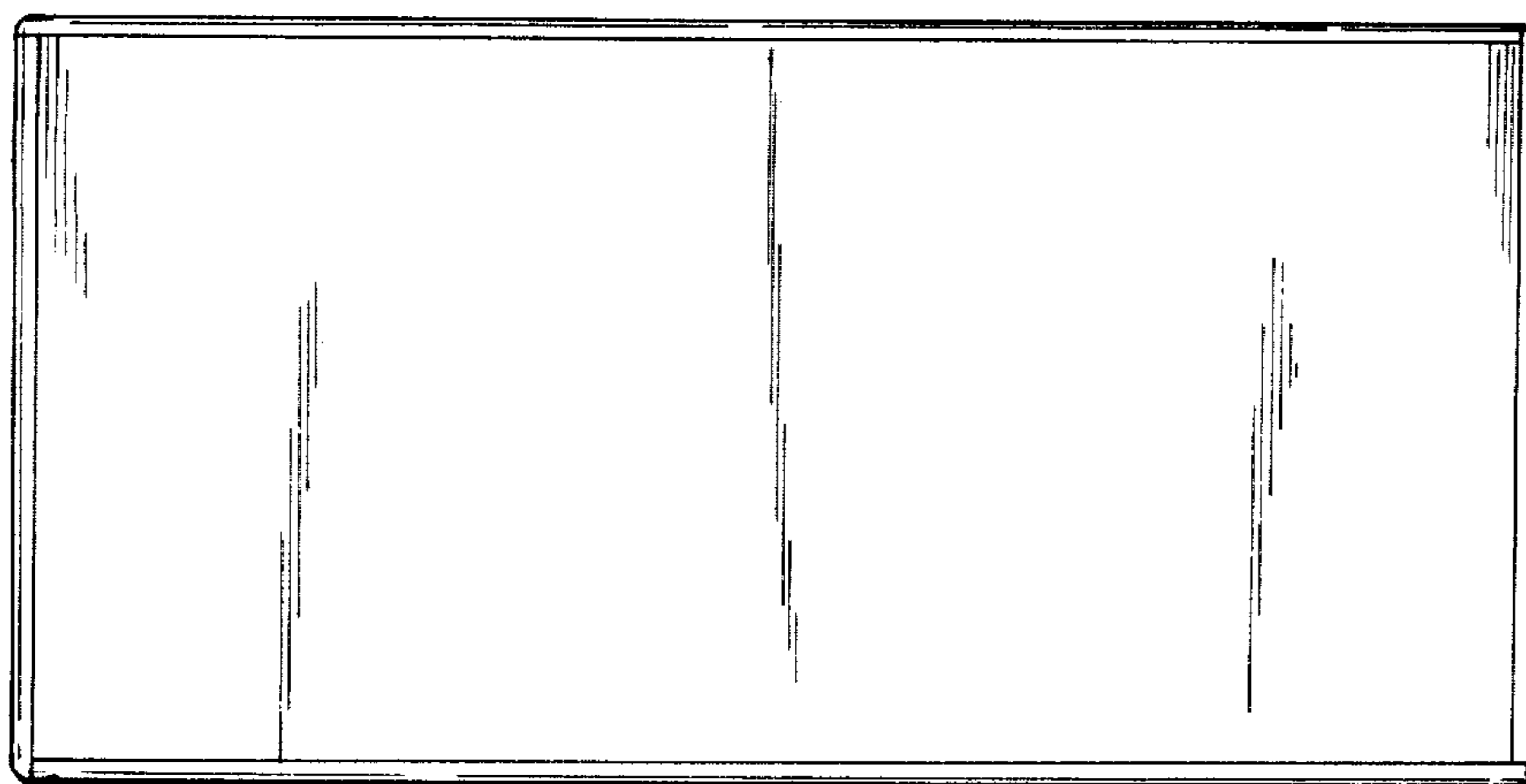


FIG. 2

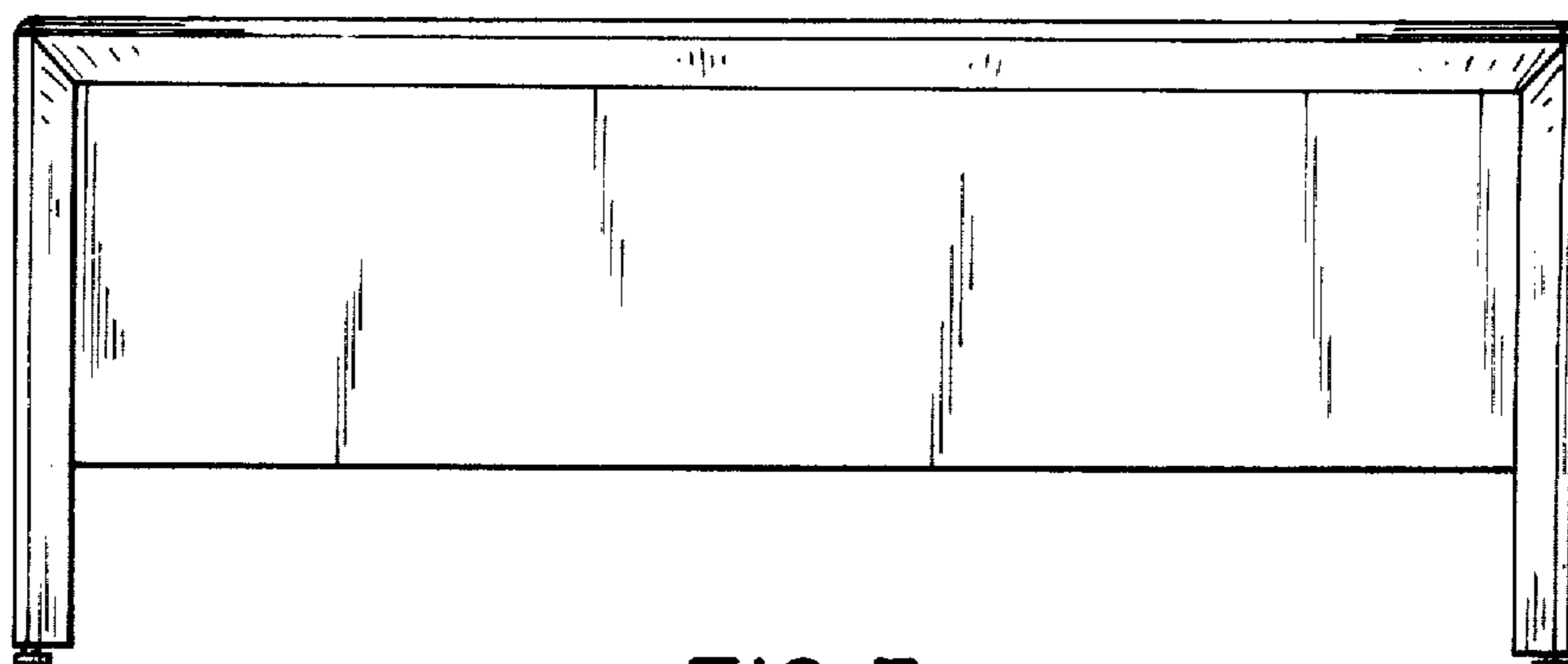


FIG. 3

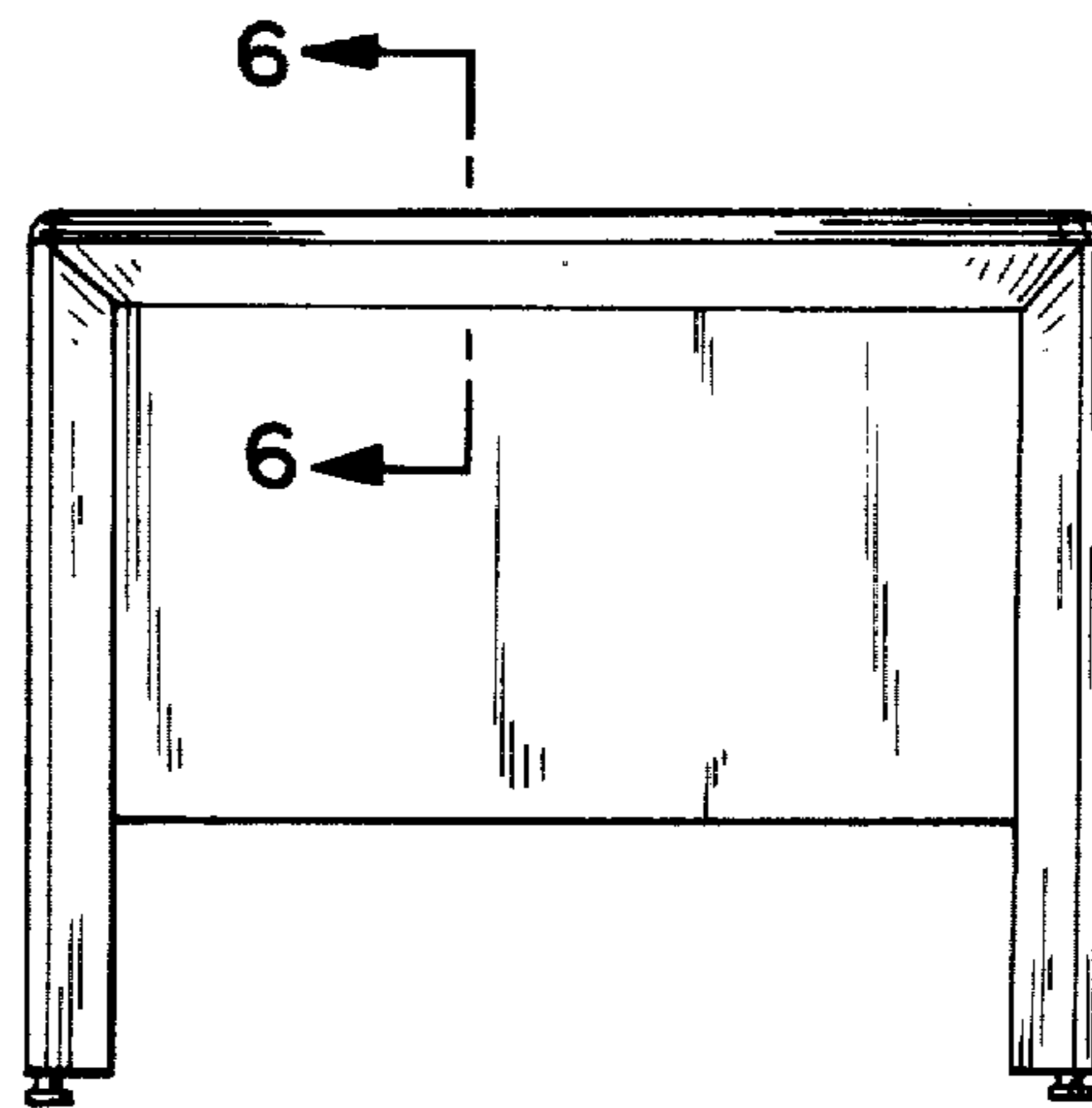


FIG. 4

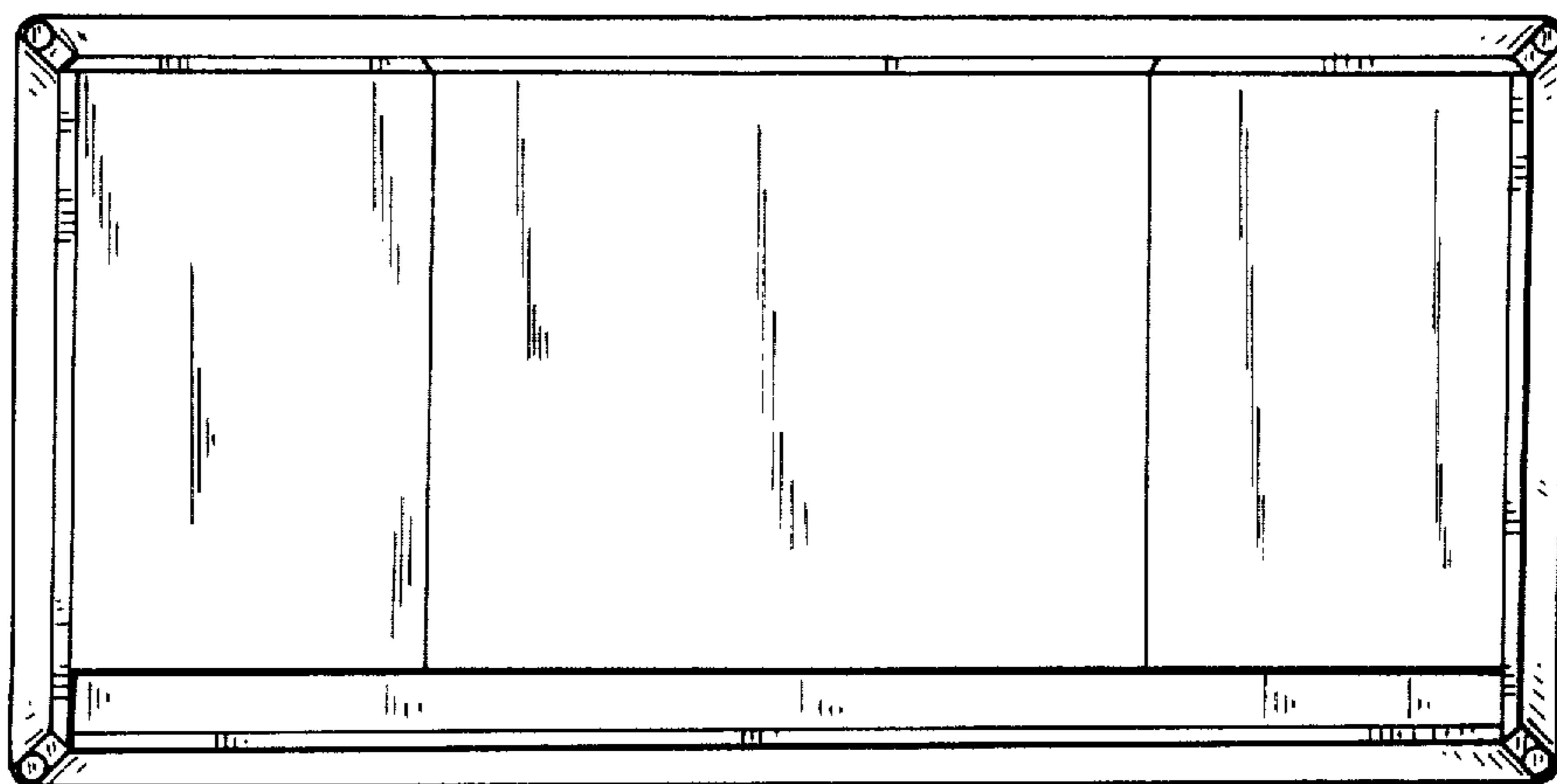


FIG. 5

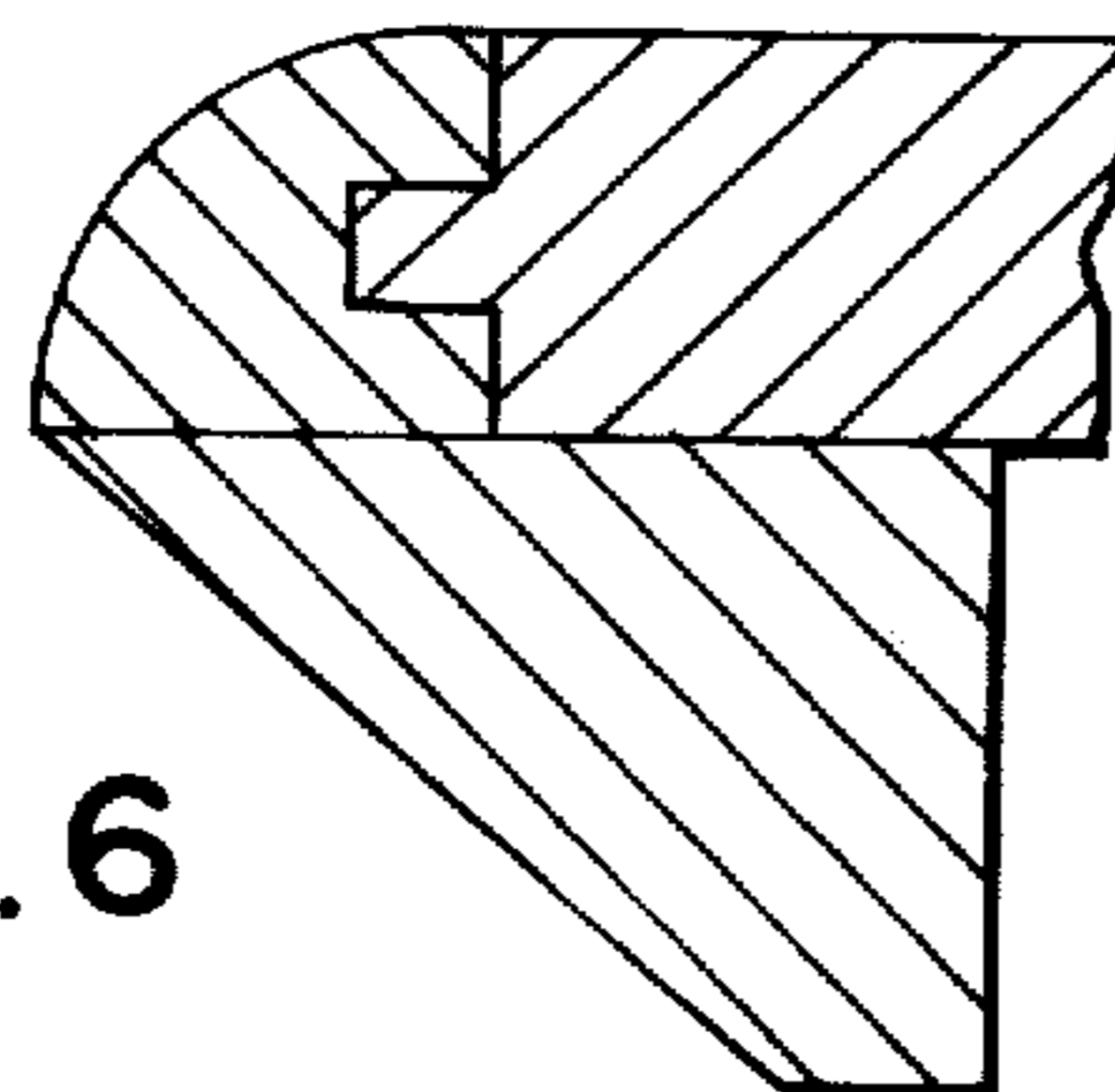


FIG. 6