

[54] STORAGE UNIT

[75] Inventors: Anthony J. Brescia, Liverpool; Spencer Rhoads, Baldwinsville, both of N.Y.

[73] Assignee: Syroco, Inc., Syracuse, N.Y.

[**] Term: 14 Years

[21] Appl. No.: 249,852

[22] Filed: Apr. 1, 1981

[51] Int. Cl. D6-04

[52] U.S. Cl. D6/131; D6/114; D6/116; D6/120; D6/136

[58] Field of Search D6/86, 114, 116, 120, D6/123, 130, 131, 132, 136, 233; 108/29, 152; 211/87, 88, 90; 248/220.2, 220.3, 222.2, 222.3, 221.2, 223.3

[56] References Cited

U.S. PATENT DOCUMENTS

D. 245,557 8/1977 Wisner D6/123 824,150 6/1906 De Saint Chamas 211/90

OTHER PUBLICATIONS

"Living Quarters" by Bloomingdale's, p. 16, Pegboard & Racks (C,D,E).

"Living Quarters" by Bloomingdale's, p. 27, Wiregrid & Attachments (D).

Kitchen Bazaar Cat., p. 8, Artwire Wire Grid (8G, H, I, J).

Primary Examiner—B. J. Bullock

Attorney, Agent, or Firm—Stanley R. Moore; Thomas L. Crisman

[57] CLAIM

The ornamental design for a storage unit, as shown and described.

DESCRIPTION

FIG. 1 is an enlarged perspective view of a storage unit showing our new design;

FIG. 2 is a top plan view thereof;

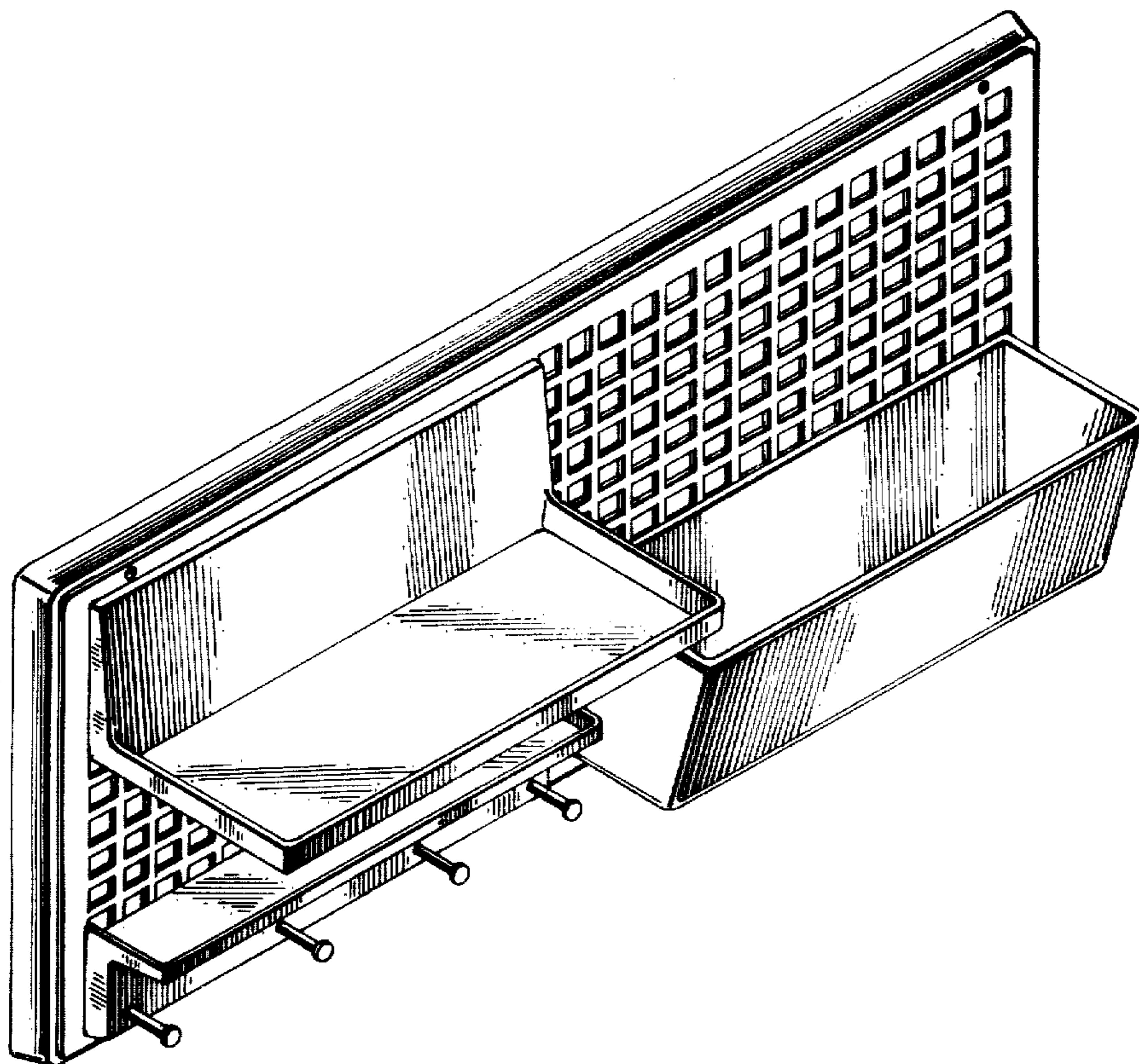
FIG. 3 is a bottom plan view thereof;

FIG. 4 is a front elevational view thereof;

FIG. 5 is a side elevational view taken from the left of FIG. 1;

FIG. 6 is a side elevational view taken from the right of FIG. 1;

FIG. 7 is a rear elevational view thereof.



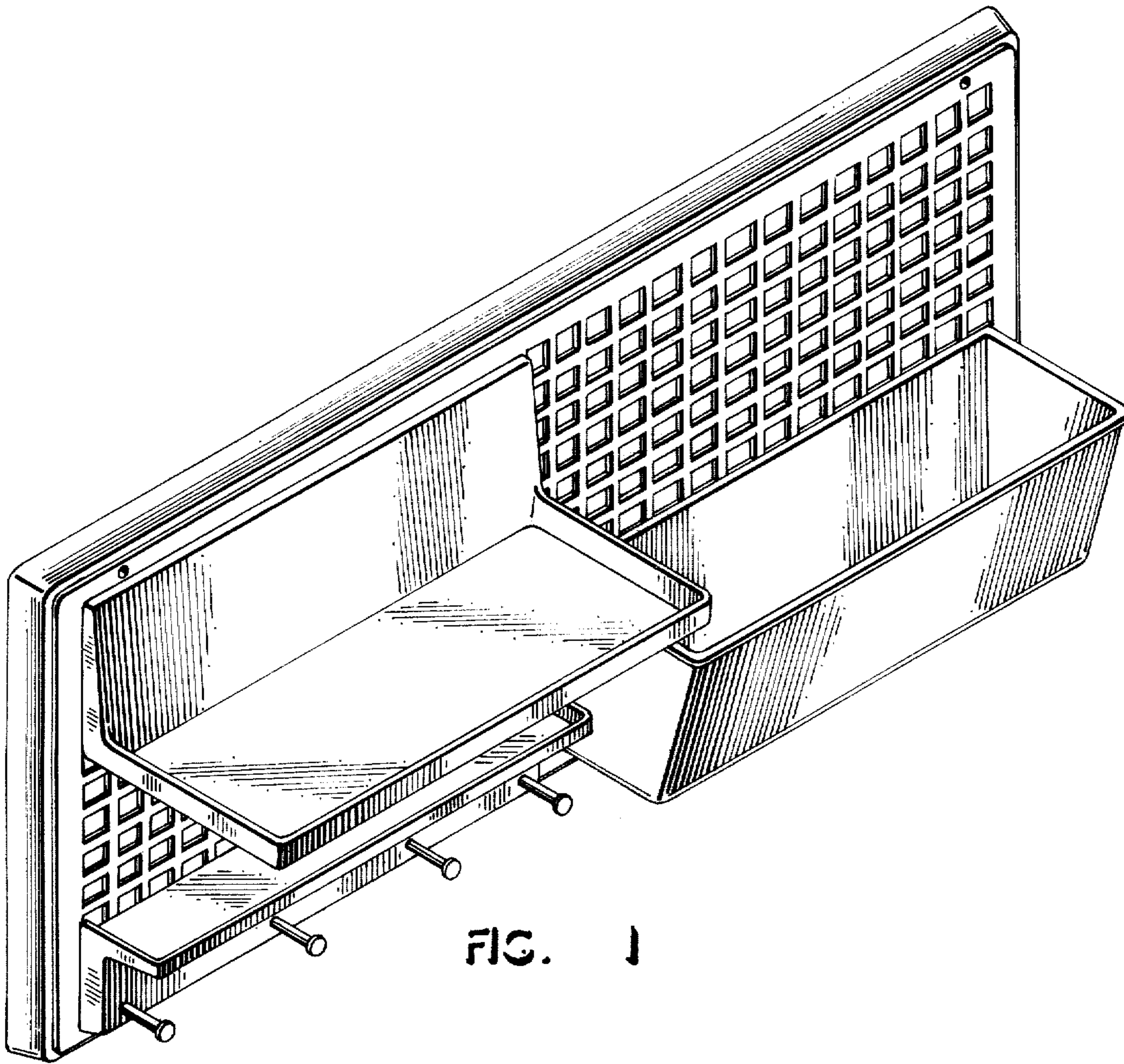


FIG. 1

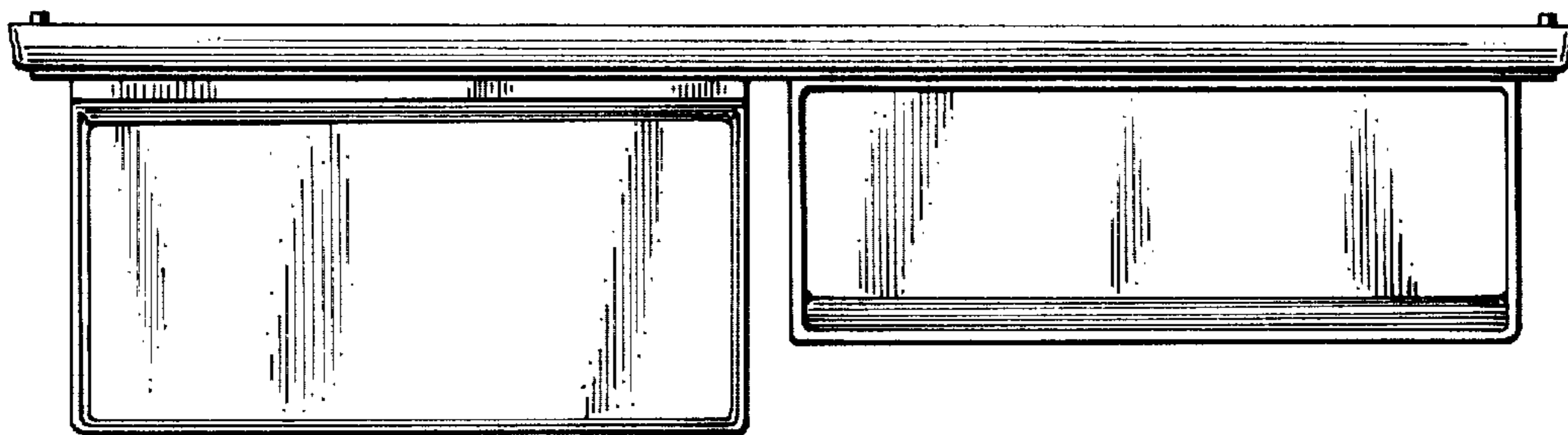


FIG. 2

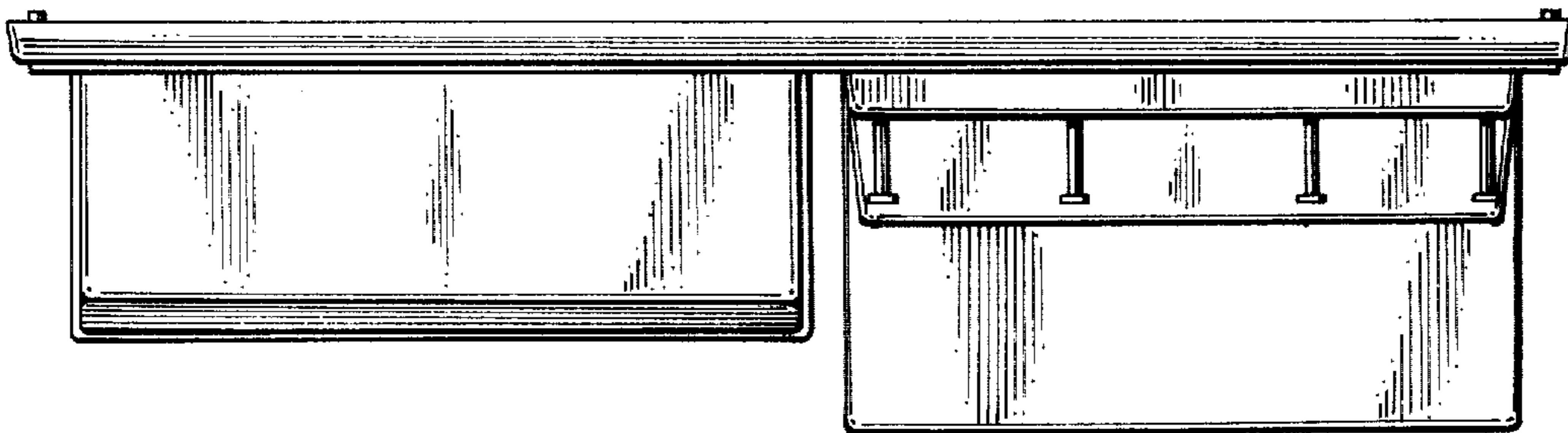


FIG. 3

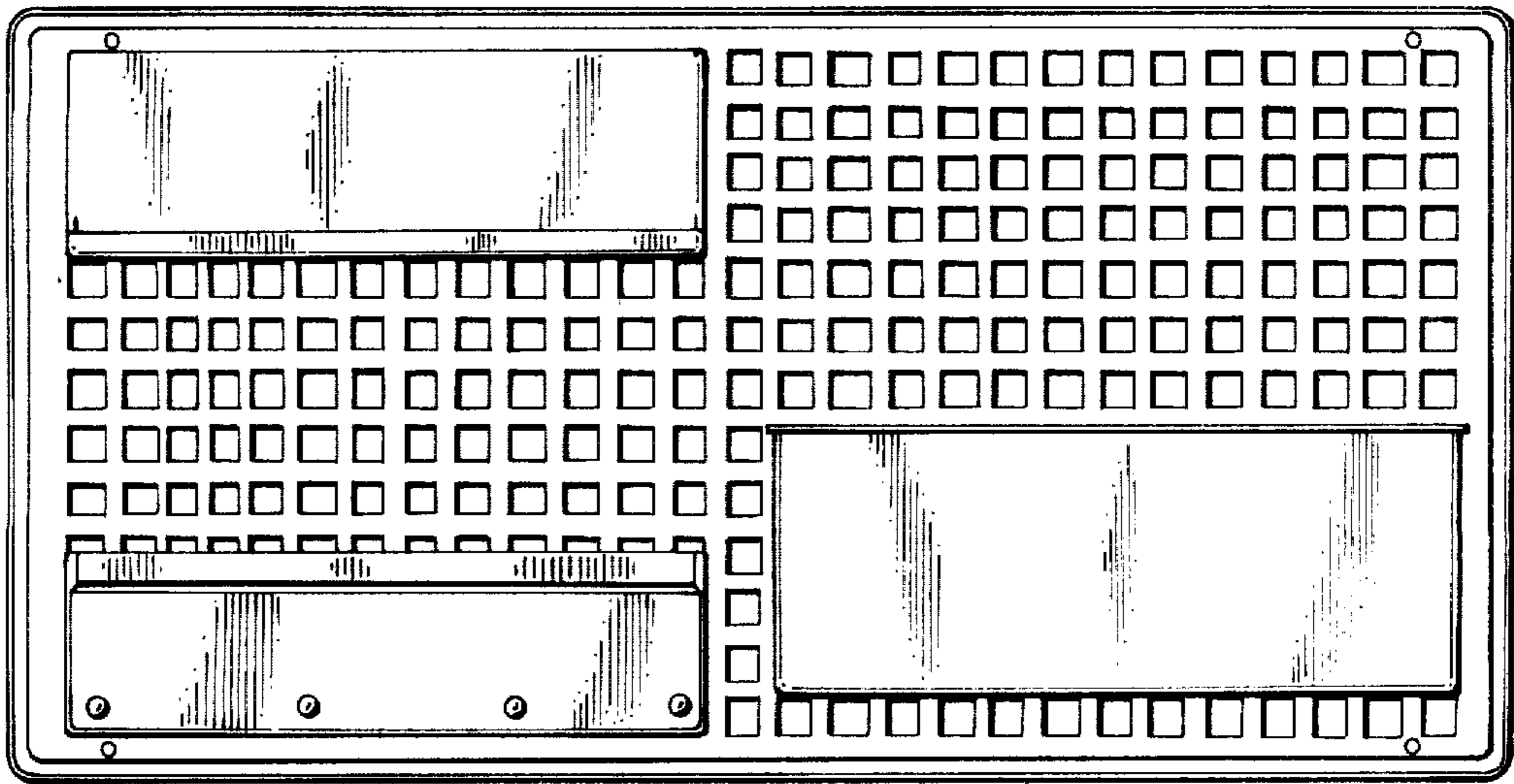


FIG. 4

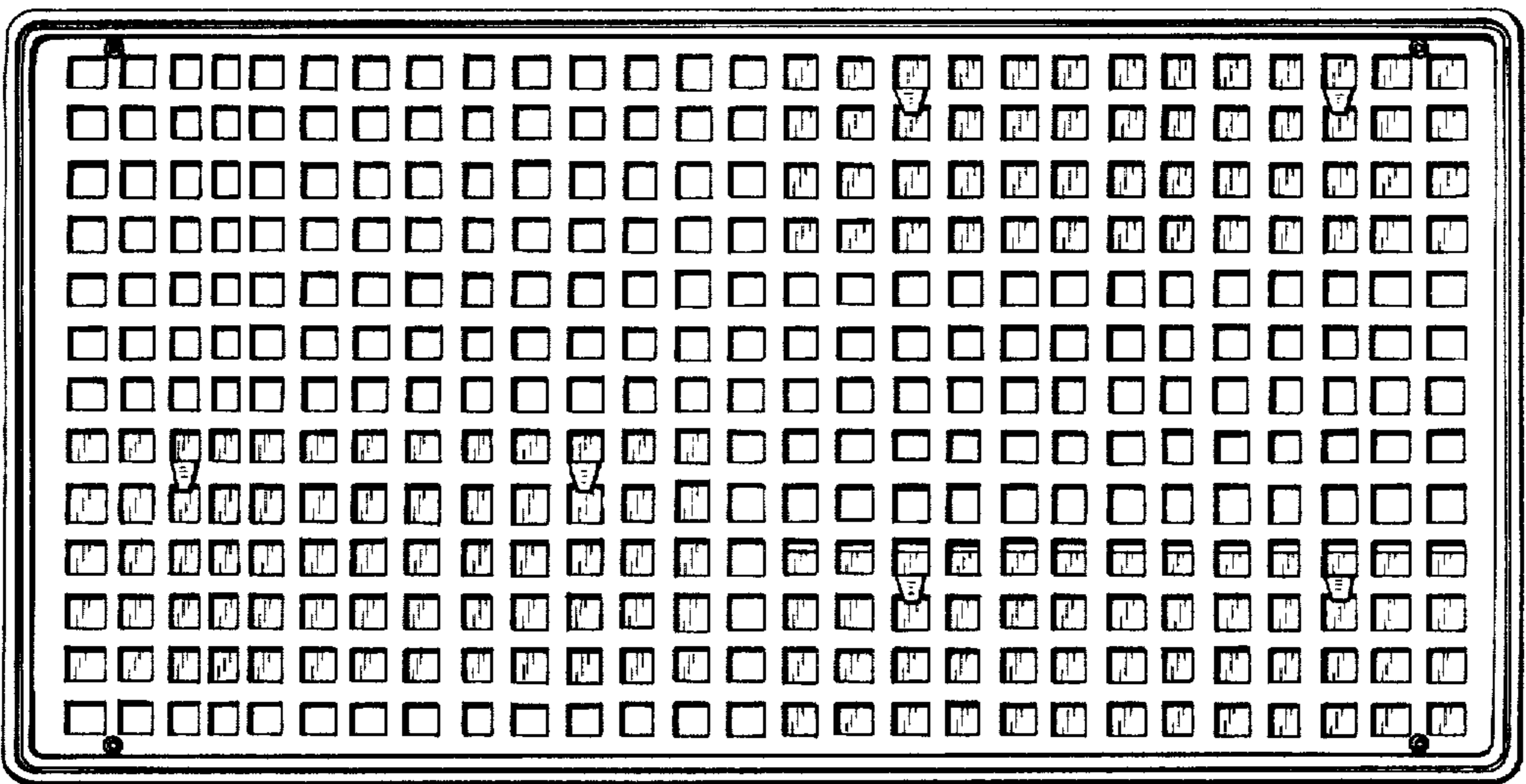


FIG. 7

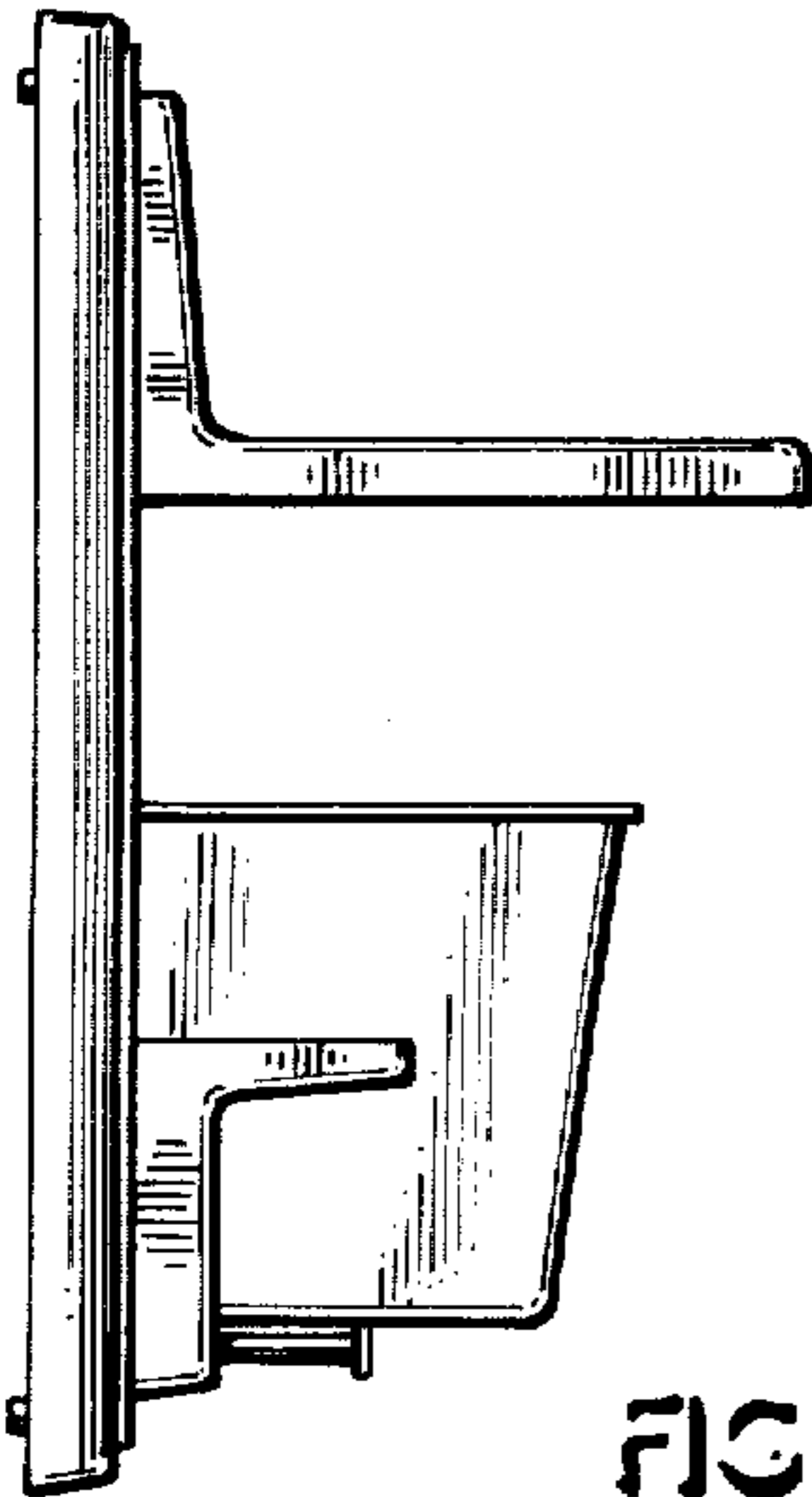


FIG. 5

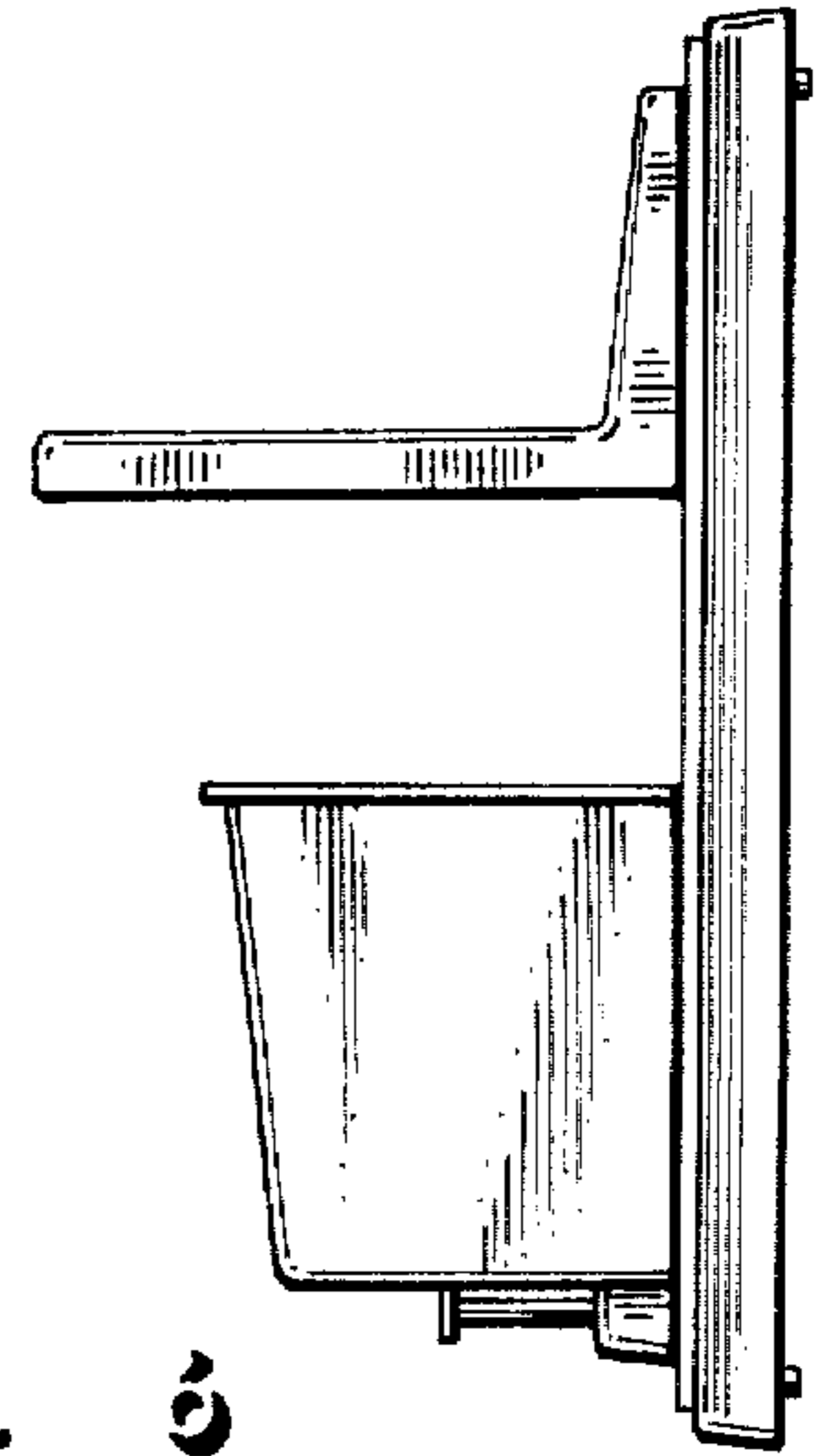


FIG. 6