

[54] COMBINED SUPPORT FOR BEVERAGE COOLER AND DRINKING GLASSES

3,420,483 1/1969 Stalker 211/88
3,489,385 1/1970 Dill 211/88

[76] Inventor: Dennis R. Leslie, 9722 Rose Dr., Taylor, Mich. 48180

FOREIGN PATENT DOCUMENTS

1335491 7/1963 France 211/88

[**] Term: 14 Years

Primary Examiner—B. J. Bullock
Attorney, Agent, or Firm—Krass, Young & Schivley

[21] Appl. No.: 175,609

[22] Filed: Aug. 6, 1980

[57] CLAIM

[51] Int. Cl. D6—04; D12—16

The ornamental design for a combined support for beverage cooler and drinking glasses, as shown and described.

[52] U.S. Cl. D6/130; D6/114; D12/16

[58] Field of Search D6/114, 130, 131, 132, D6/136; 211/74, 76, 87, 88, 106, 181; D12/16; 224/42.43, 42.44

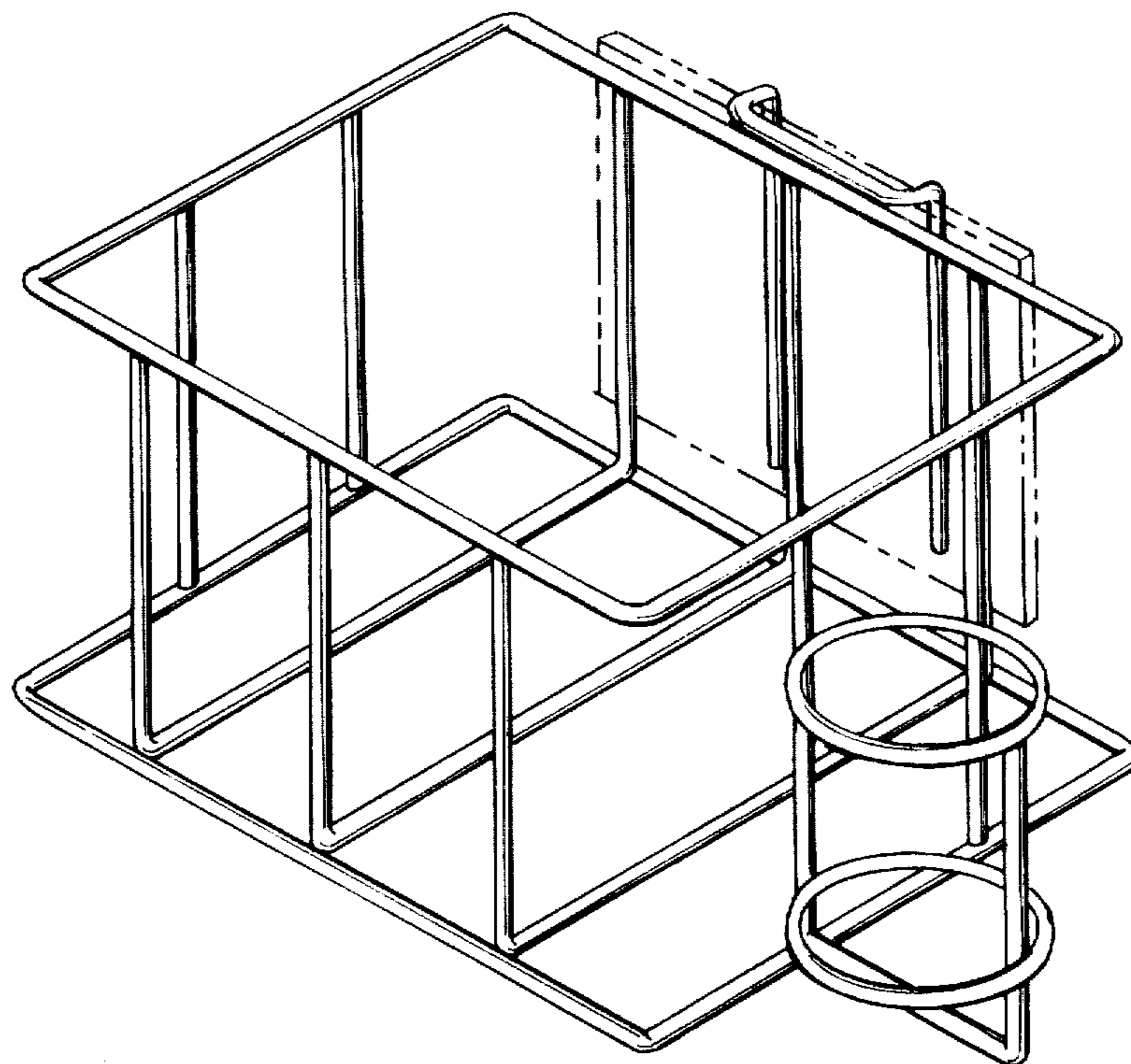
DESCRIPTION

FIG. 1 is a front perspective view of a combined support for beverage cooler and drinking glasses showing my new design, the supporting structure being shown in broken lines for illustrative purposes only; FIG. 2 is a bottom view; FIG. 3 is a top view; FIG. 4 is a side view taken from the right of FIG. 1; FIG. 5 is a rear view.

[56] References Cited

U.S. PATENT DOCUMENTS

553,359 1/1896 Pickett 211/88
2,672,988 3/1954 Johnson 211/88
2,831,598 4/1958 Slavsky et al. 211/88



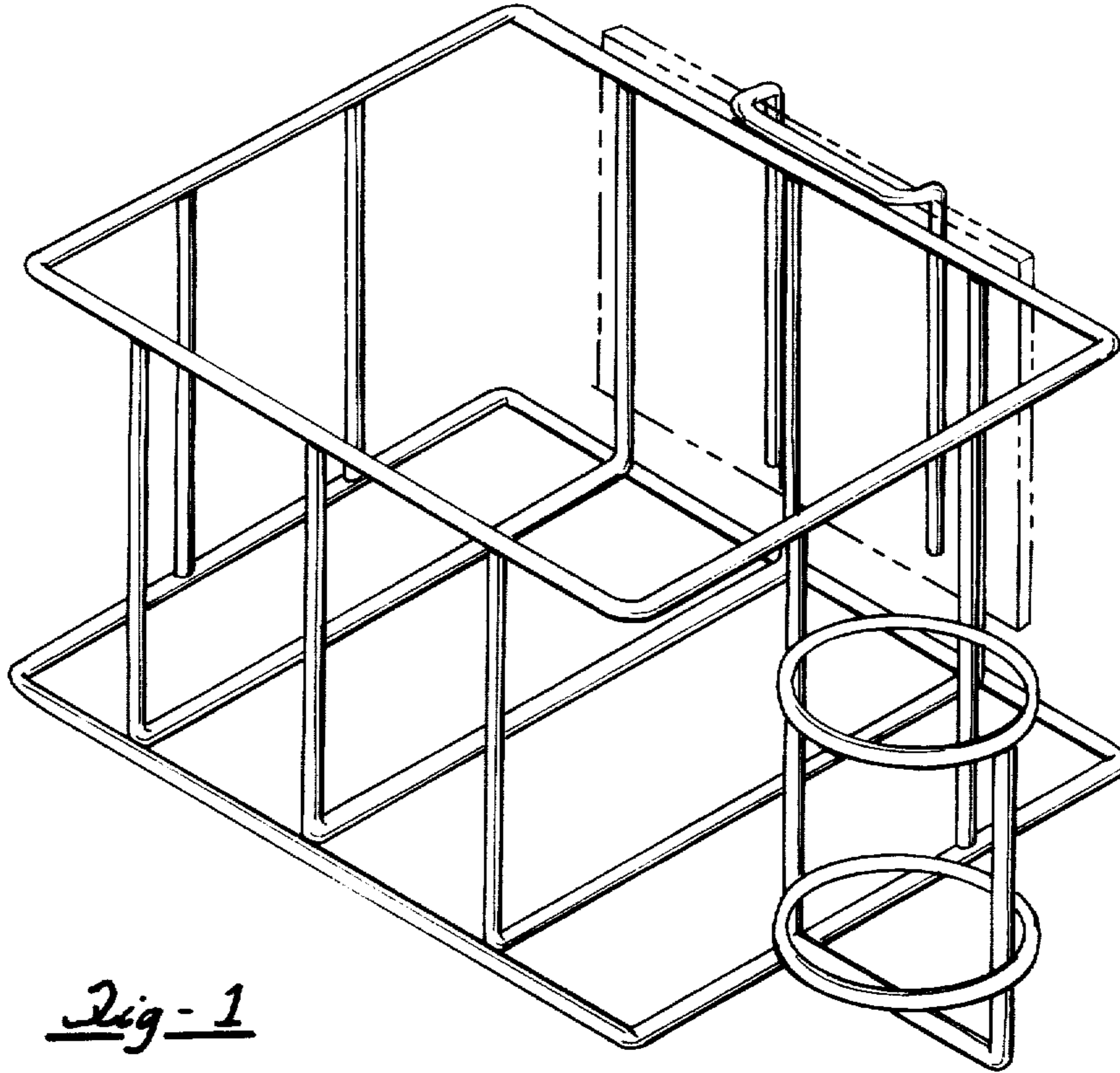


Fig-1

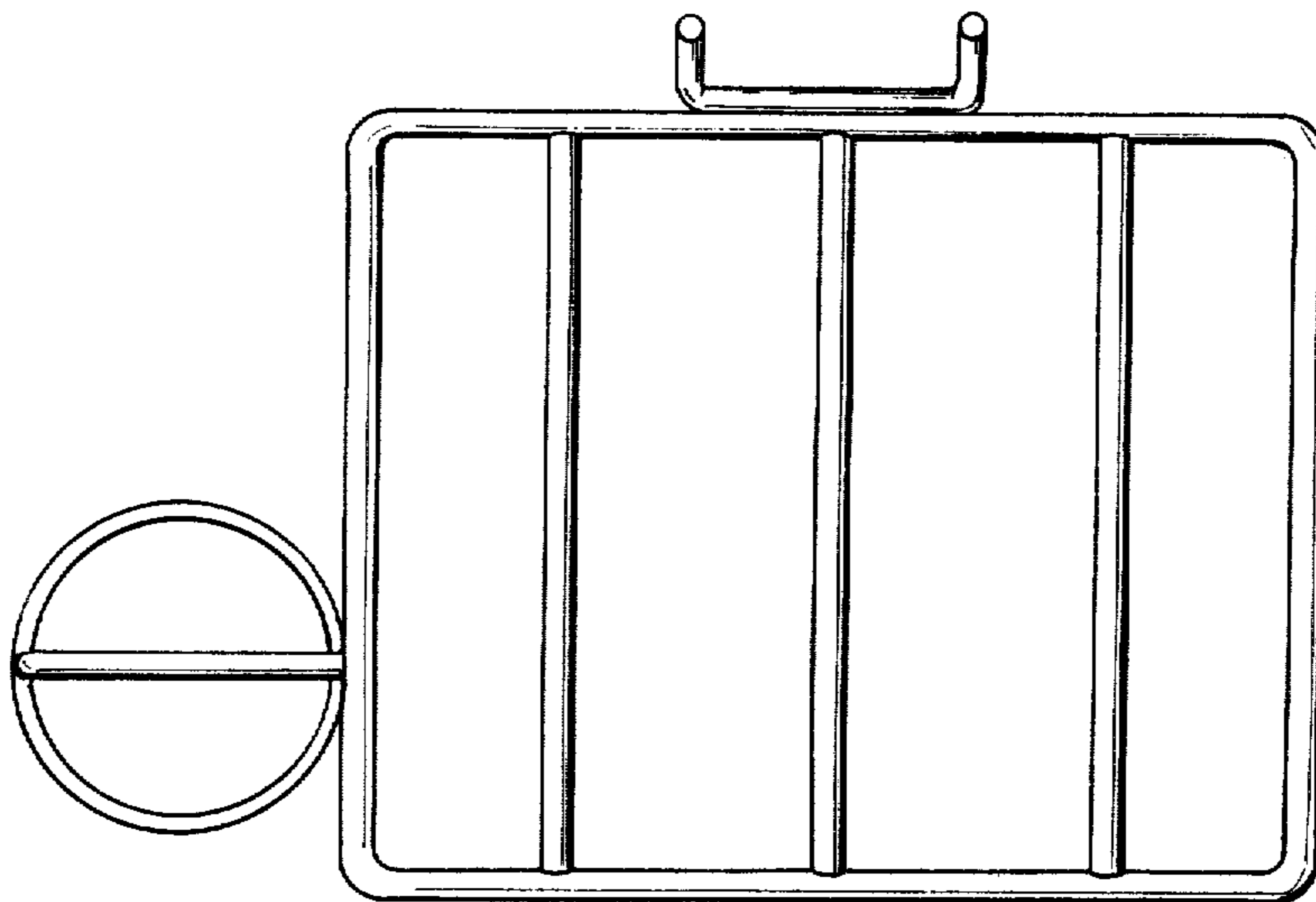


Fig-2

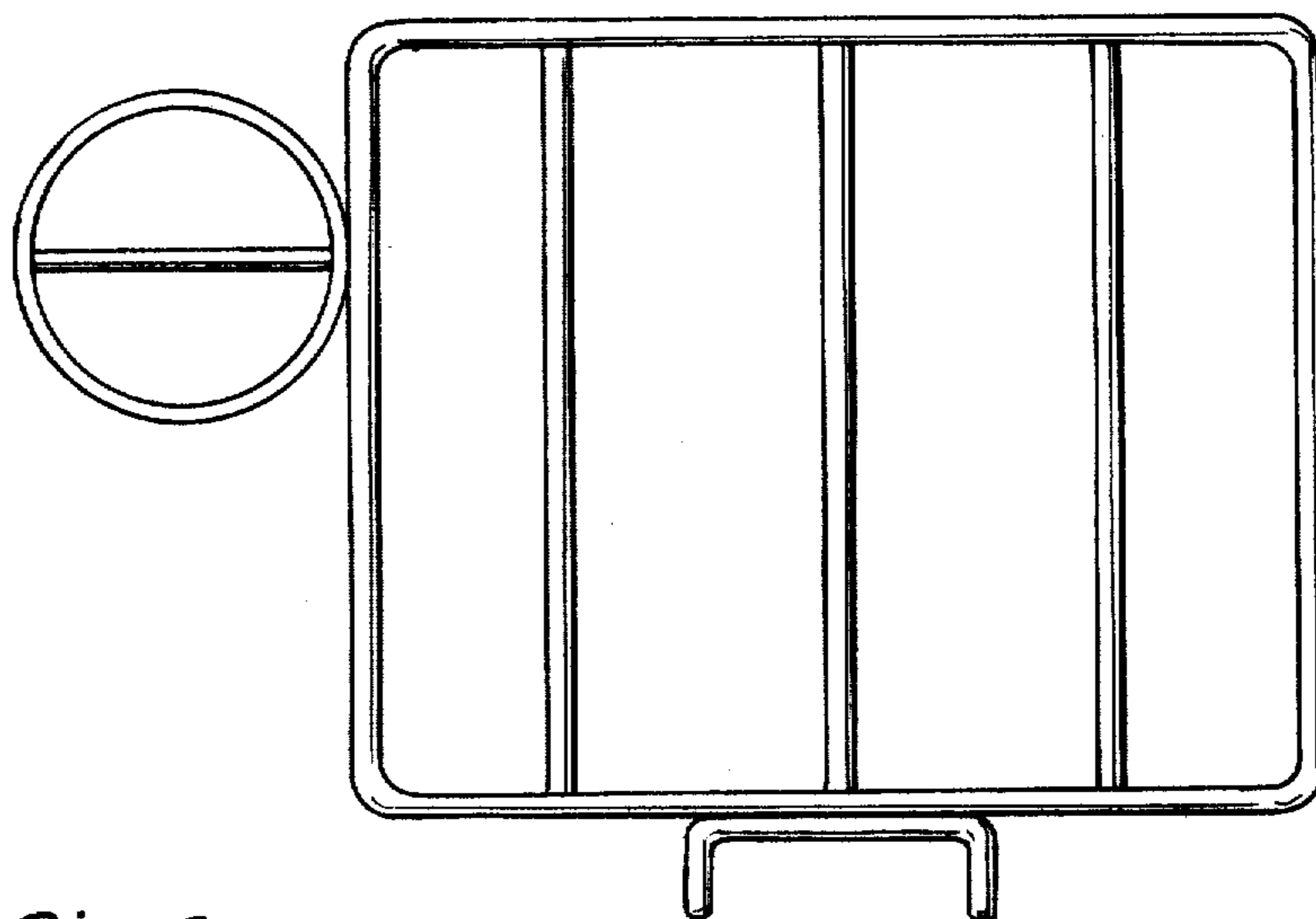


Fig-3

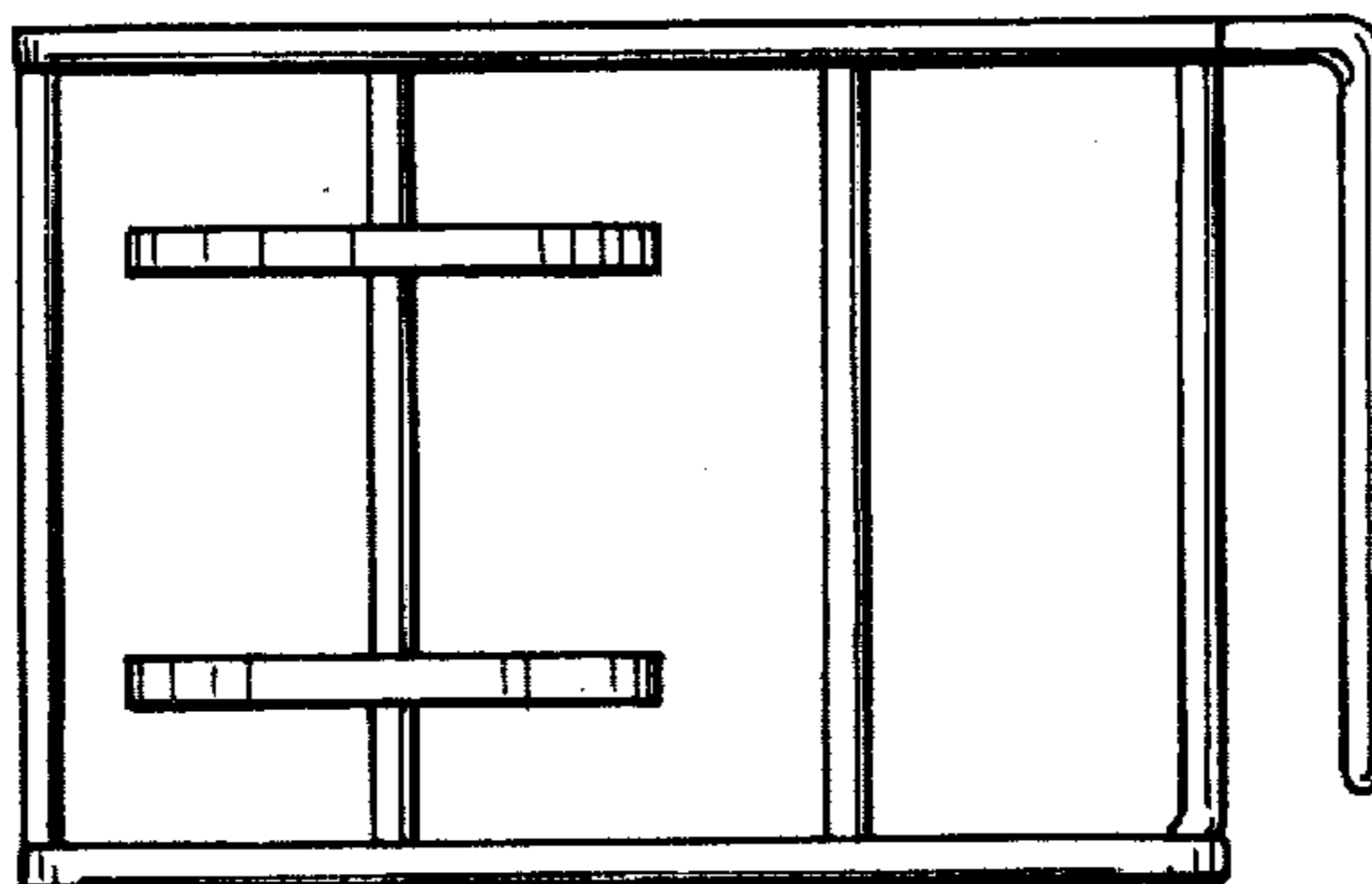


Fig-4

Fig-5

