

[54] **DOCTOR'S ATTACHE CASE**

[76] **Inventor:** Tow S. Yew, 30 Dickens St., Penang, Malaysia

[\*\*] **Term:** 14 Years

[21] **Appl. No.:** 188,693

[22] **Filed:** Sep. 19, 1980

[30] **Foreign Application Priority Data**

Mar. 20, 1980 [GB] United Kingdom ..... 994146

[51] **Int. Cl.** ..... D3-01

[52] **U.S. Cl.** ..... D3/74; D3/76

[58] **Field of Search** ..... D3/30.1, 39, 42, 72, D3/74, 76, 78; 190/41 R, 51; 150/1, 1.6

[56] **References Cited**

**U.S. PATENT DOCUMENTS**

D. 239,664 4/1976 Savoy ..... D3/74

**OTHER PUBLICATIONS**

Ulchek Plastics Co., Flyer, p. 1, Item No. KM824.  
W. Bell Co., Cat., 1977, p. 222, Item "Bel-Aire", No. 24063z.

*Primary Examiner*—George P. Word  
*Attorney, Agent, or Firm*—Charles E. Brown

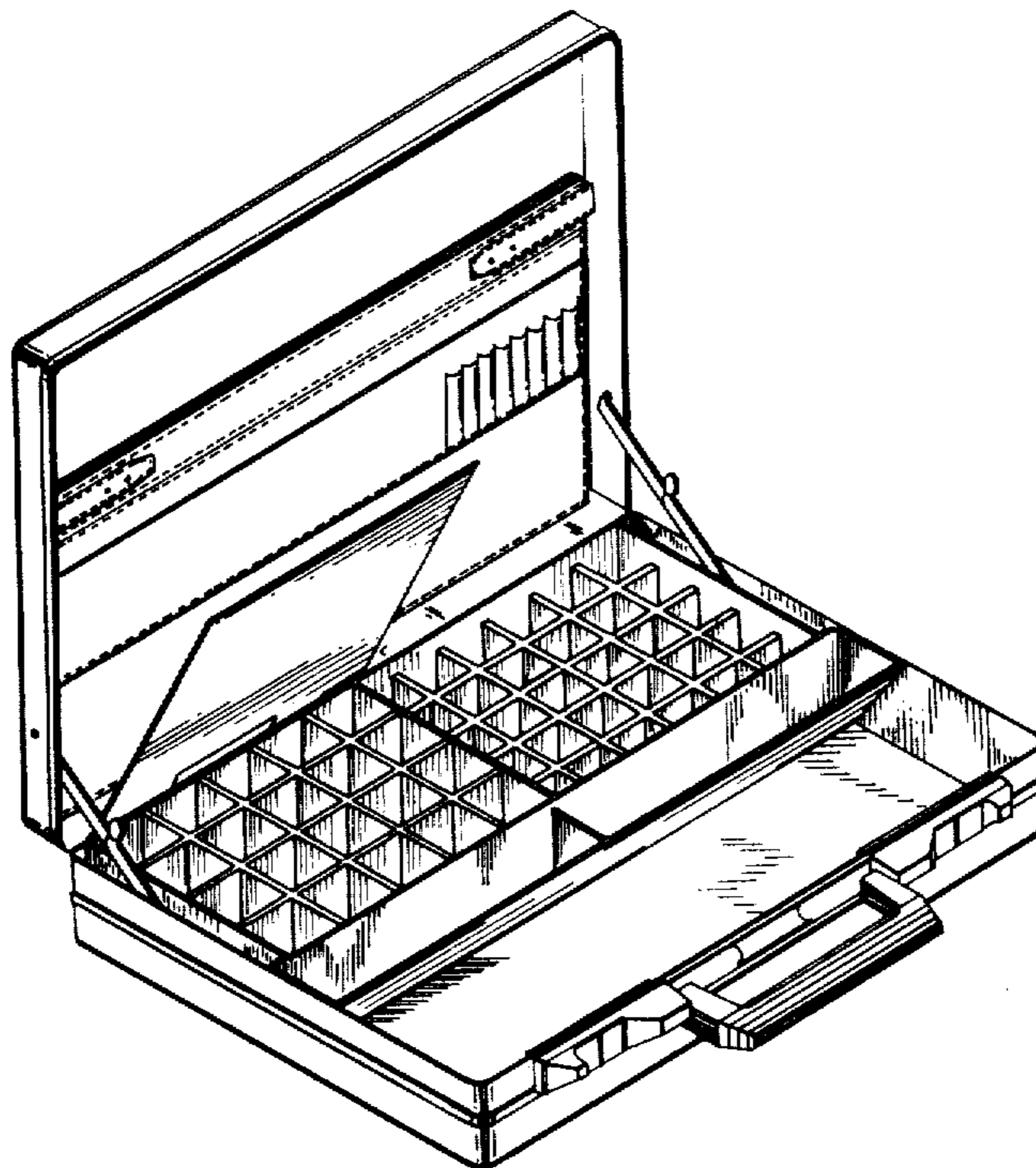
[57] **CLAIM**

The ornamental design for a doctor's attache case, as shown and described.

**DESCRIPTION**

FIG. 1 is a perspective view of a doctor's attache case showing my new design;  
FIG. 2 is a right side elevational view thereof;  
FIG. 3 is a front elevational view thereof; and  
FIG. 4 is a top plan view thereof.

The top and bottom of the doctor's attache case are plain and unornamented and the rear has an external appearance substantially similar to that of the sides.



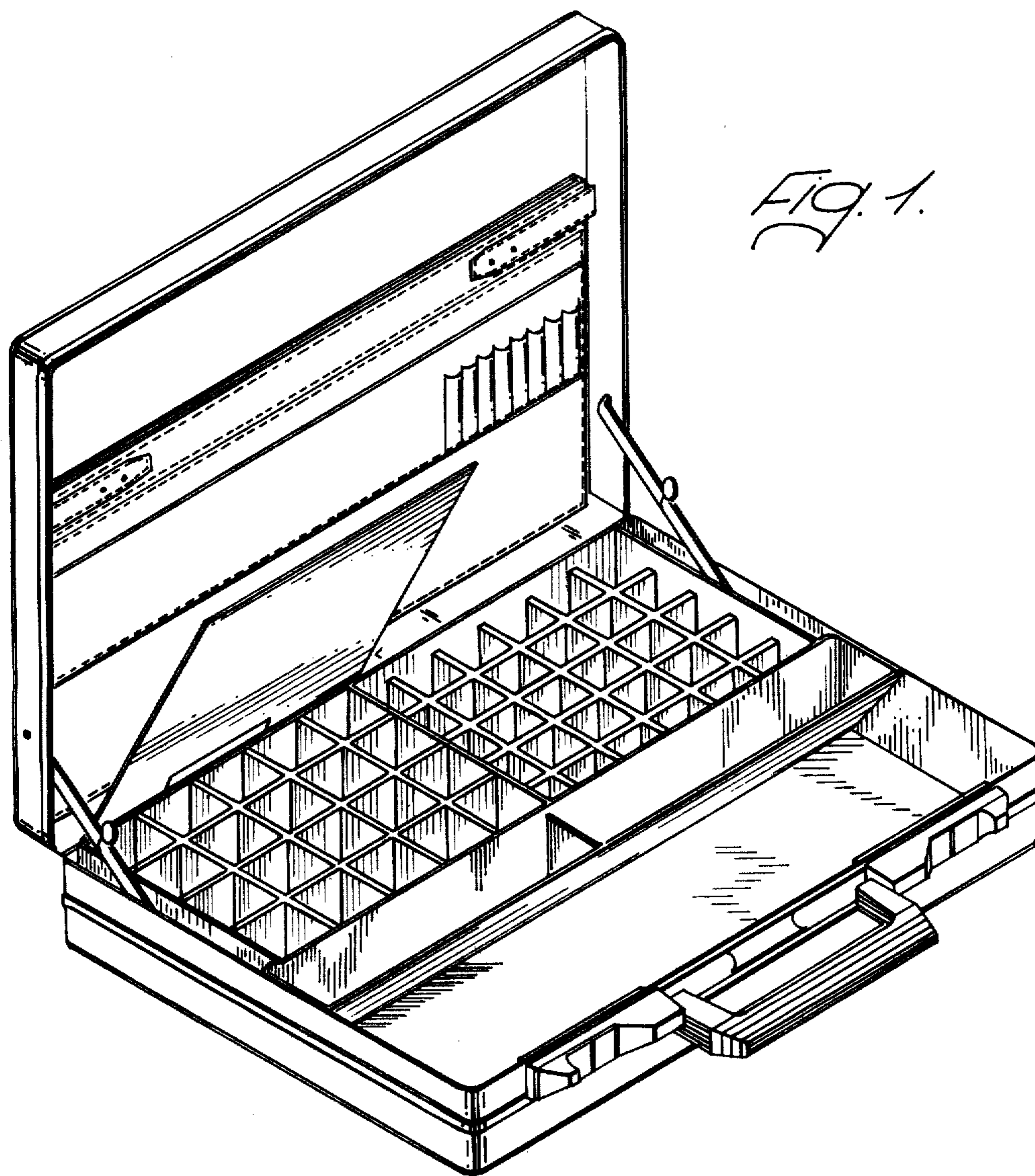


FIG. 1.

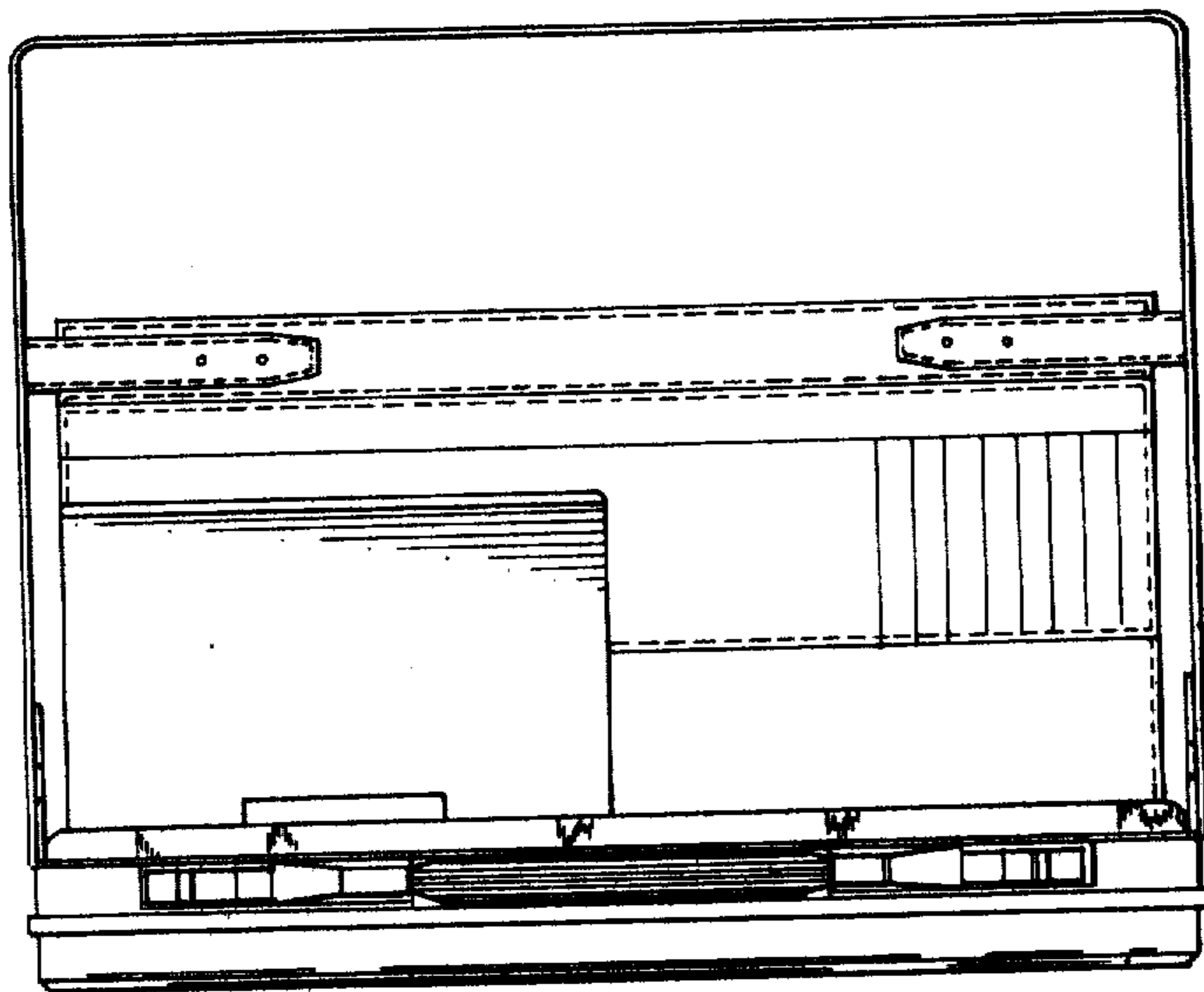
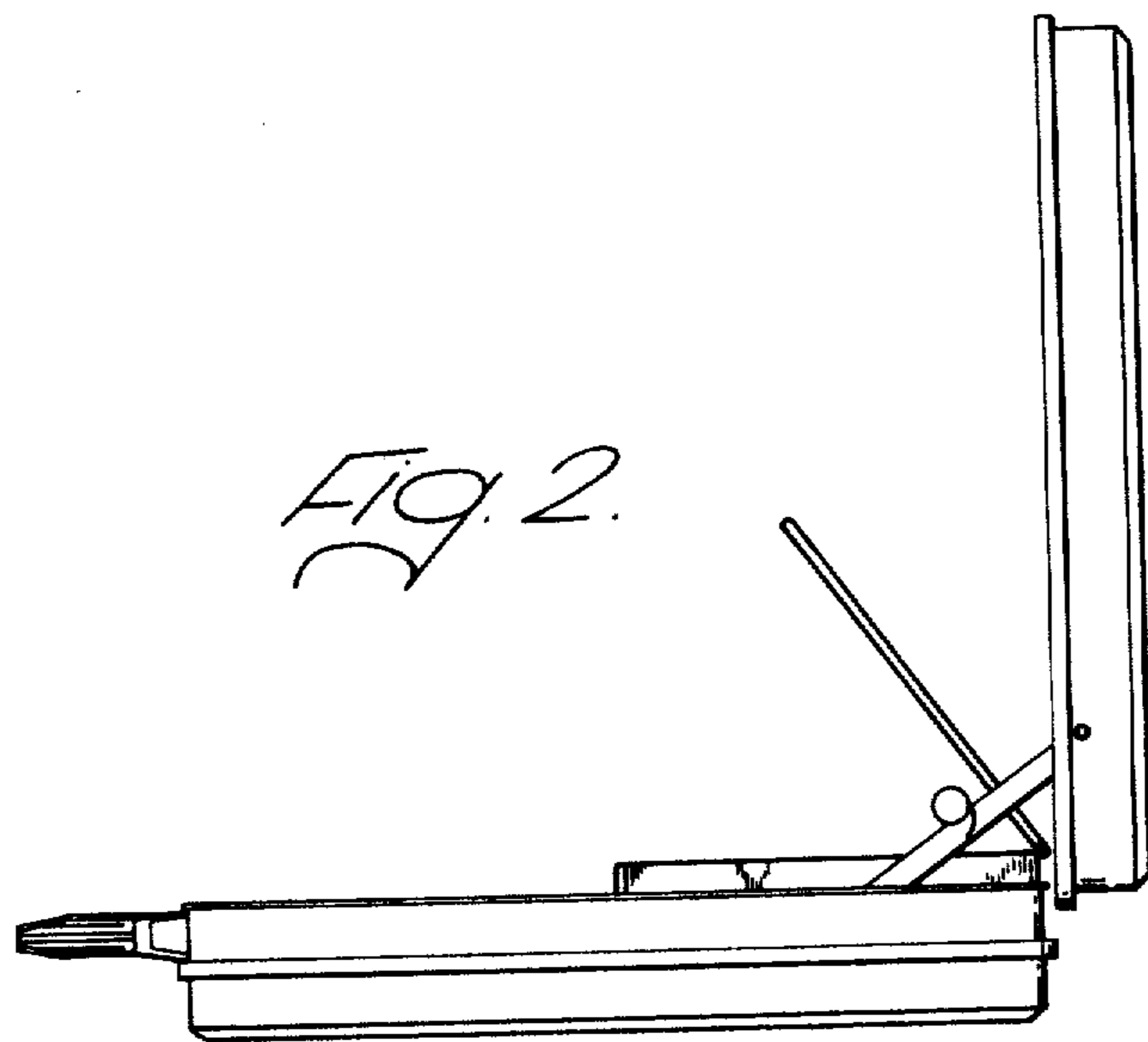


FIG. 3.

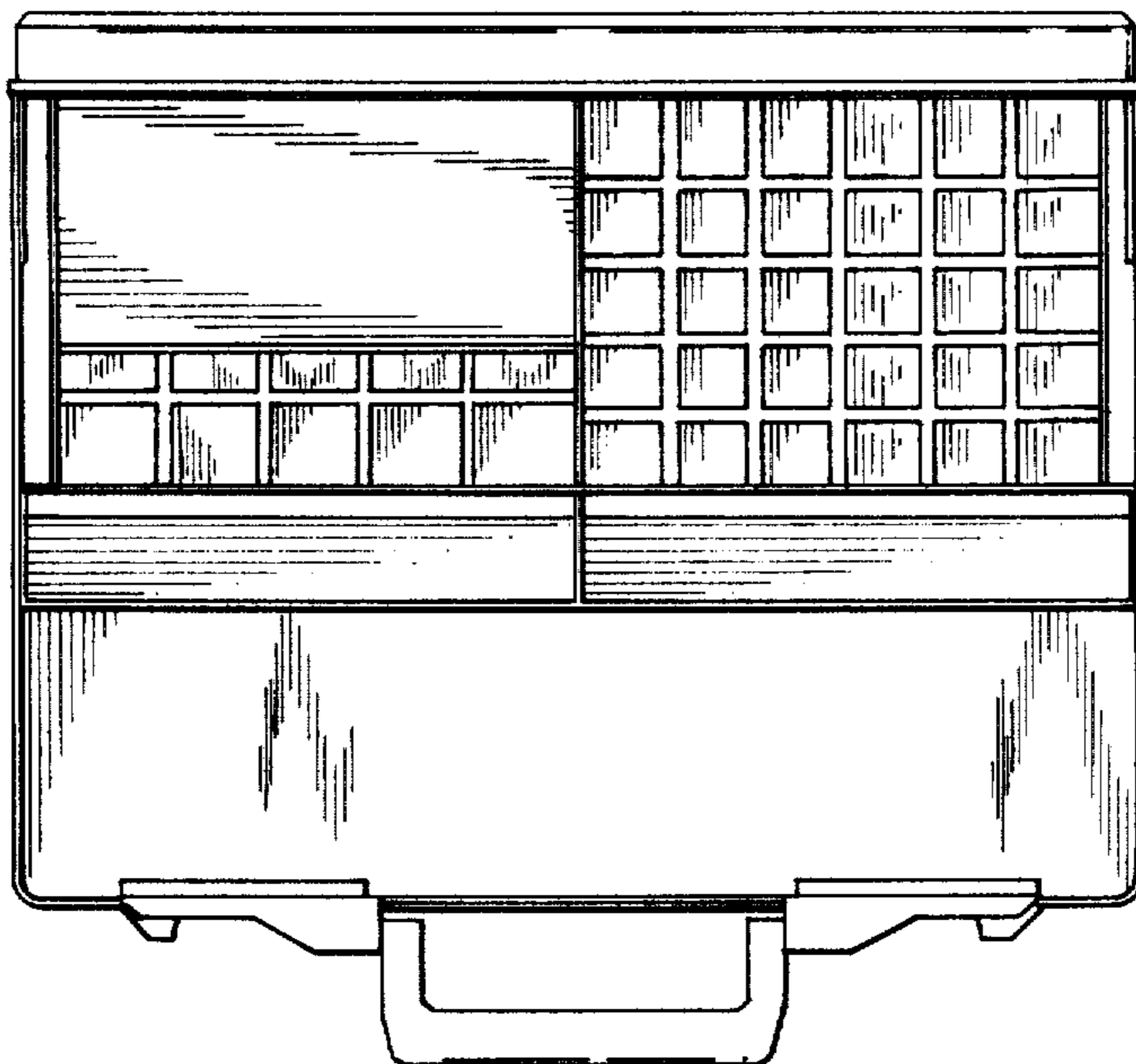


FIG. 4.

UNITED STATES PATENT AND TRADEMARK OFFICE  
**CERTIFICATE OF CORRECTION**

PATENT NO. : DESIGN 267834  
DATED : FEBRUARY 8, 1983  
INVENTOR(S) : TOW S. YEW

It is certified that error appears in the above-identified patent and that said Letters Patent are hereby corrected as shown below:

The inventor's name on the cover page of the patent, item [76] reads "Tow S. Yew" and should be -- Siang Y. Tow --.

**Signed and Sealed this**

*Twenty-seventh* **Day of** *December* 1983

[SEAL]

*Attest:*

*Attesting Officer*

**GERALD J. MOSSINGHOFF**

*Commissioner of Patents and Trademarks*