

[54] **GAS LIGHTER**

[75] Inventor: **Suteo Tomita, Ichikawashi, Japan**

[73] Assignee: **Iwatani Sangyo Kabushiki Kaisha, Osaka, Japan**

[**] Term: **14 Years**

[21] Appl. No.: **124,272**

[22] Filed: **Feb. 25, 1980**

[30] **Foreign Application Priority Data**

Sep. 25, 1979 [JP] Japan 54-40472

[51] Int. Cl. **D27-05**

[52] U.S. Cl. **D27/42**

[58] Field of Search **D23/36, 39, 42; 431/125, 126, 129-144, 255; D23/90.1**

[56] **References Cited**

U.S. PATENT DOCUMENTS

D. 231,119 4/1974 Saito et al. D27/36
3,947,731 3/1976 Vainer 431/255 X

FOREIGN PATENT DOCUMENTS

2706762 8/1978 Fed. Rep. of Germany 431/255
2381973 10/1978 France 431/255

Primary Examiner—Susan J. Lucas
Attorney, Agent, or Firm—Schwartz, Jeffery, Schwaab, Mack, Blumenthal & Koch

[57] **CLAIM**

The ornamental design for a gas lighter, substantially as shown.

DESCRIPTION

FIG. 1 is a front view of a gas lighter showing my new design;
FIG. 2 is a plan view thereof;
FIG. 3 is a bottom view thereof;
FIG. 4 is a left-side view thereof;
FIG. 5 is a right-side view thereof; and
FIG. 6 is a perspective thereof.

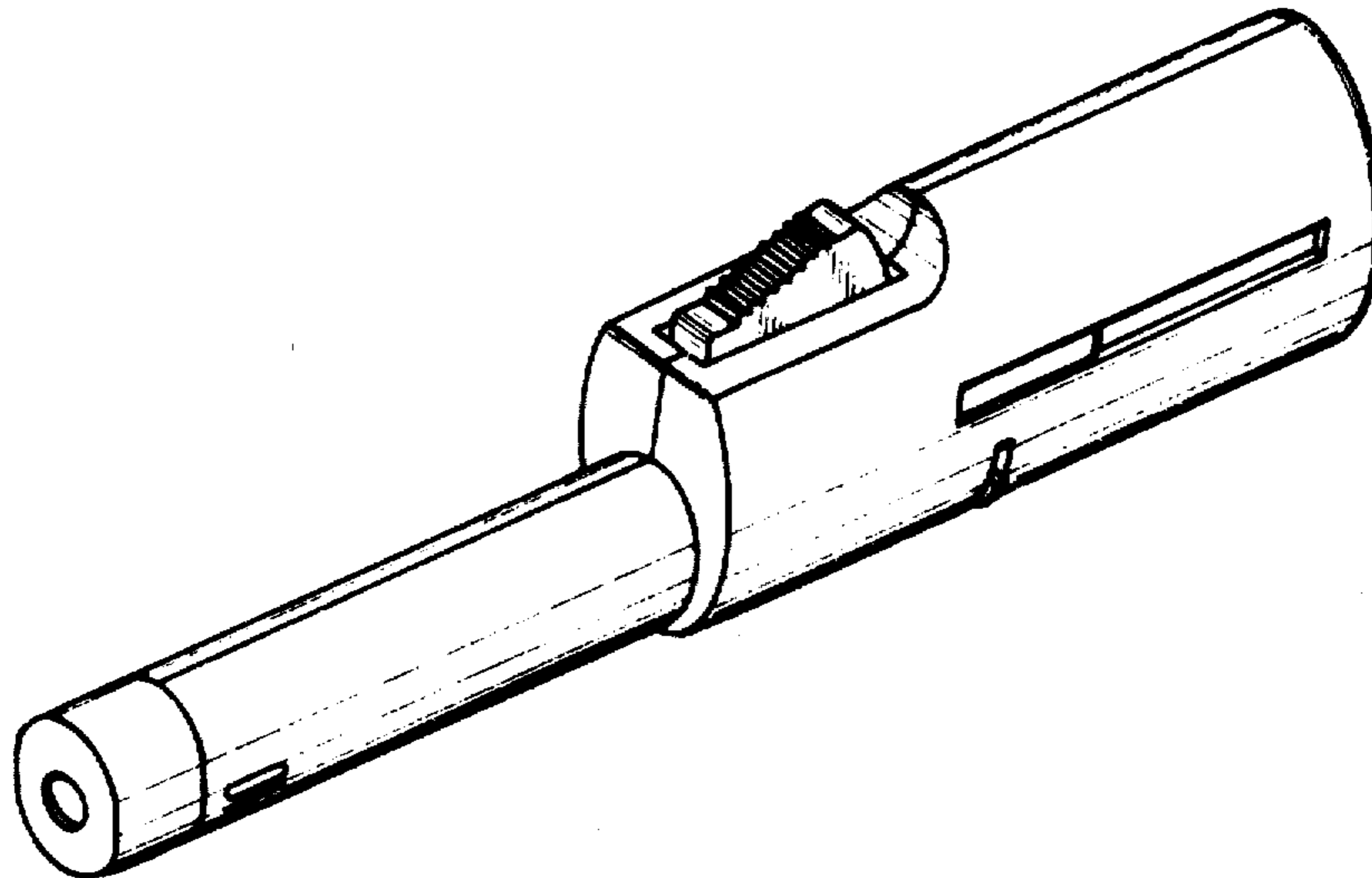


Fig.1

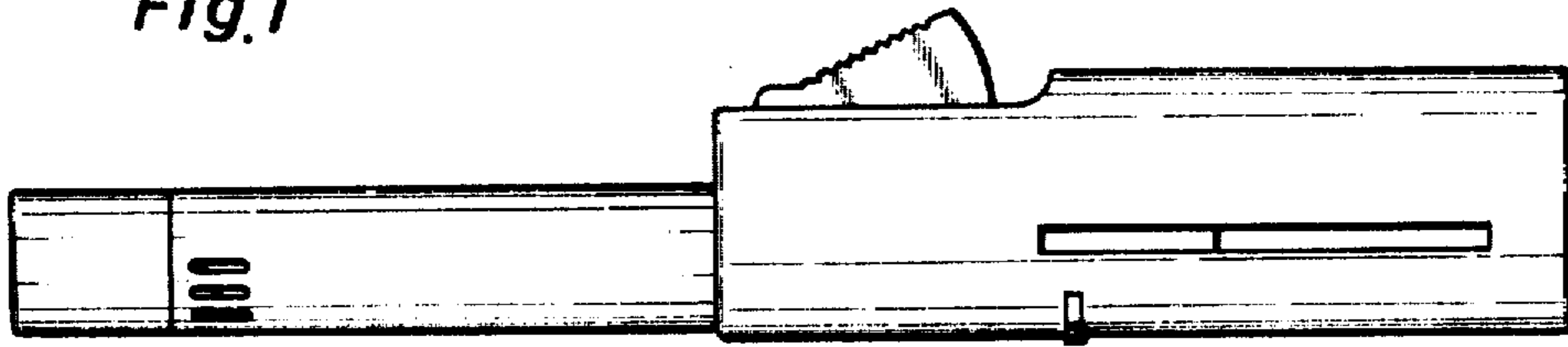


Fig.2

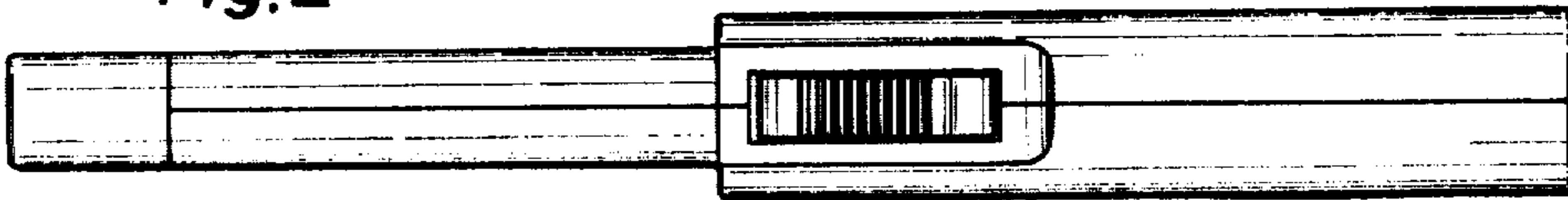


Fig.3

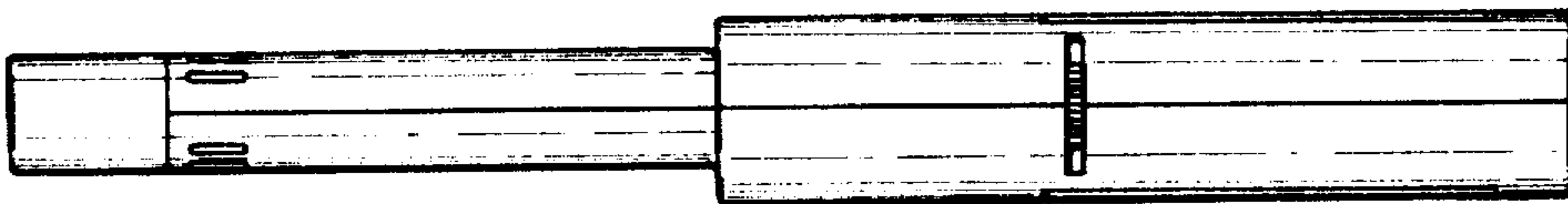


Fig.4

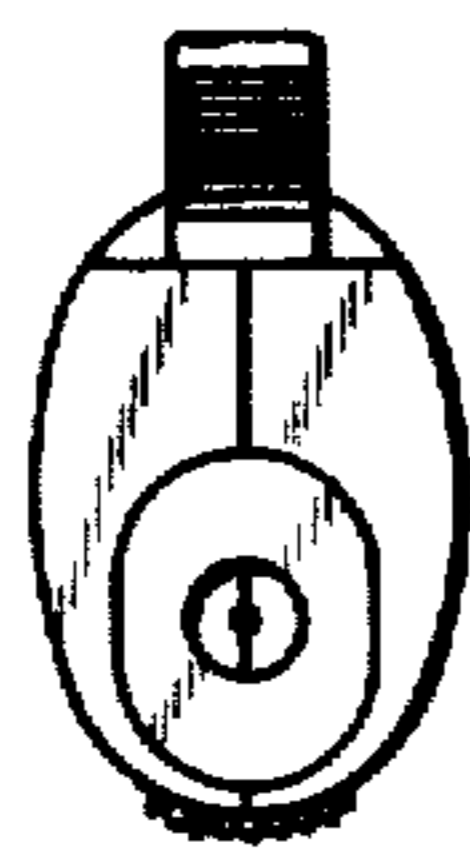


Fig.5

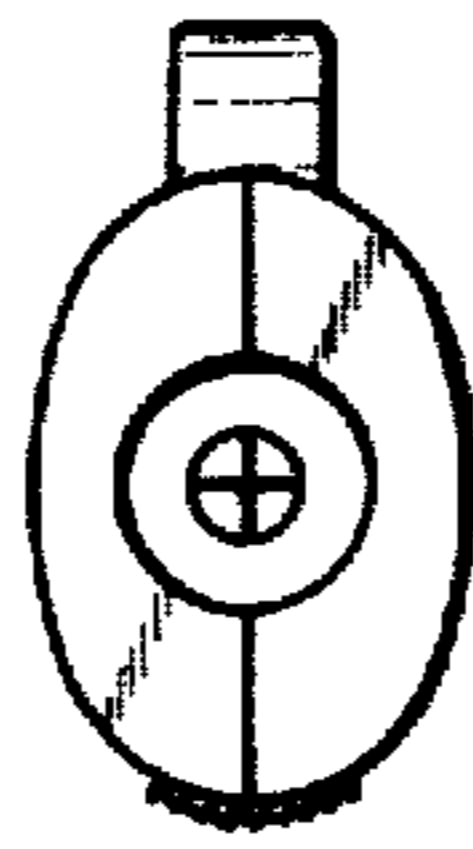


Fig.6

