

[54] COMBINED INDUSTRIAL DIVER'S UNDERWATER LIGHT AND ULTRAVIOLET INSPECTION LIGHT

1,592,178 7/1926 Carpenter 362/188
1,877,077 9/1932 Stevens 362/157
3,852,587 12/1974 Koehler 362/189 X

[76] Inventor: Jack Birns, 901 Malcolm Ave., Los Angeles, Calif. 90024

Primary Examiner—Susan J. Lucas
Attorney, Agent, or Firm—Allan M. Shapiro

[**] Term: 14 Years

[57] CLAIM

[21] Appl. No.: 192,091

The ornamental design for a combined industrial diver's underwater light and ultraviolet inspection light, substantially as shown and described.

[22] Filed: Sep. 29, 1980

DESCRIPTION

[51] Int. Cl. D26—02

[52] U.S. Cl. D26/37; D26/38; D26/50

[58] Field of Search D26/24, 37-46, D26/48, 49, 50; 362/157, 184-191, 194-208; 340/321

FIG. 1 is a perspective view of a combined industrial diver's underwater light and ultraviolet inspection light, showing my new design;

FIG. 2 is a rear elevational view thereof on an enlarged scale;

FIG. 3 is a front elevational view thereof on an enlarged scale;

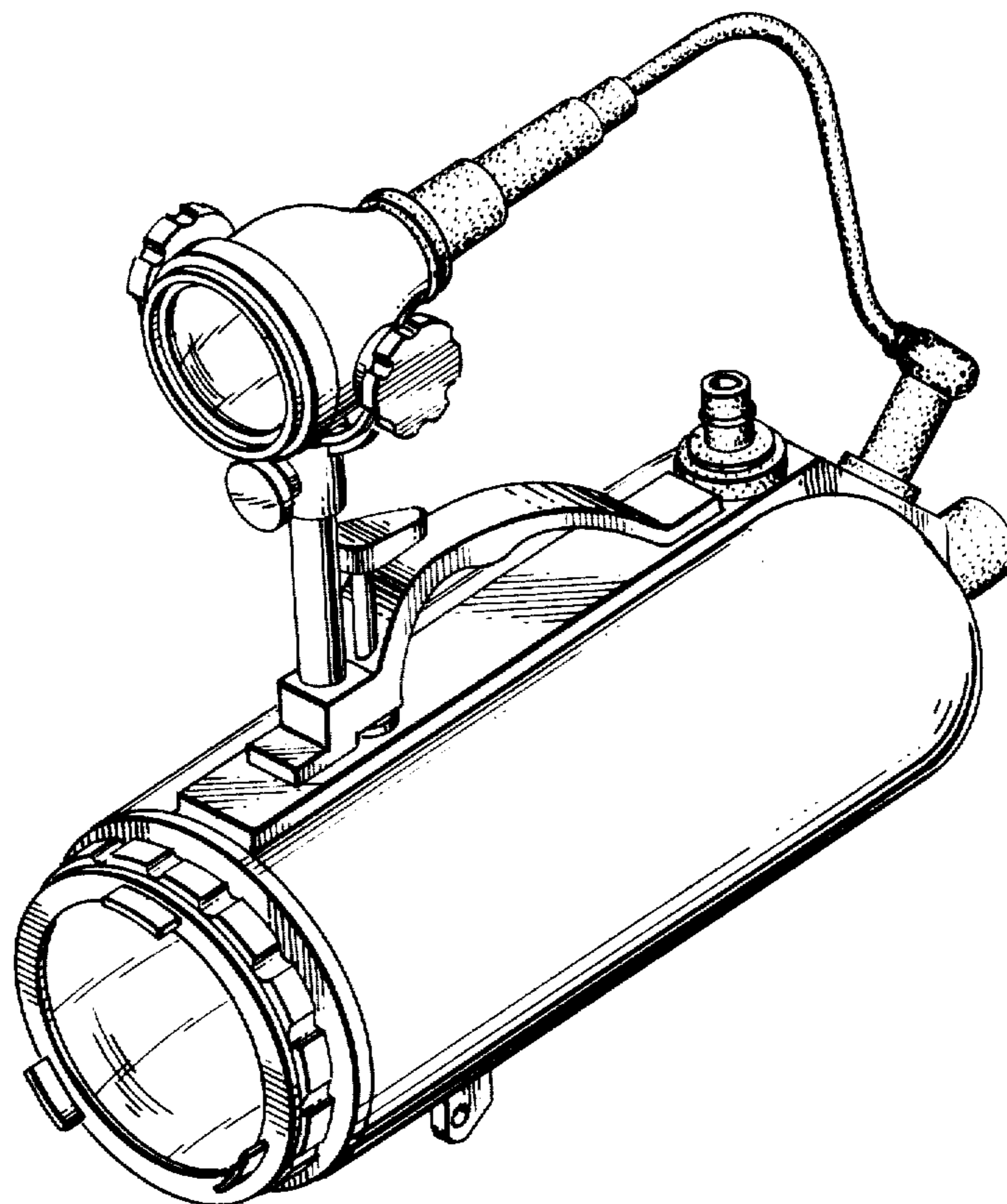
FIG. 4 is a side elevational view thereof on an enlarged scale; and

FIG. 5 is a bottom plan view thereof on an enlarged scale.

[56] References Cited

U.S. PATENT DOCUMENTS

D. 217,099 4/1970 Bentley D26/39
1,097,023 5/1914 Hirsch 362/197



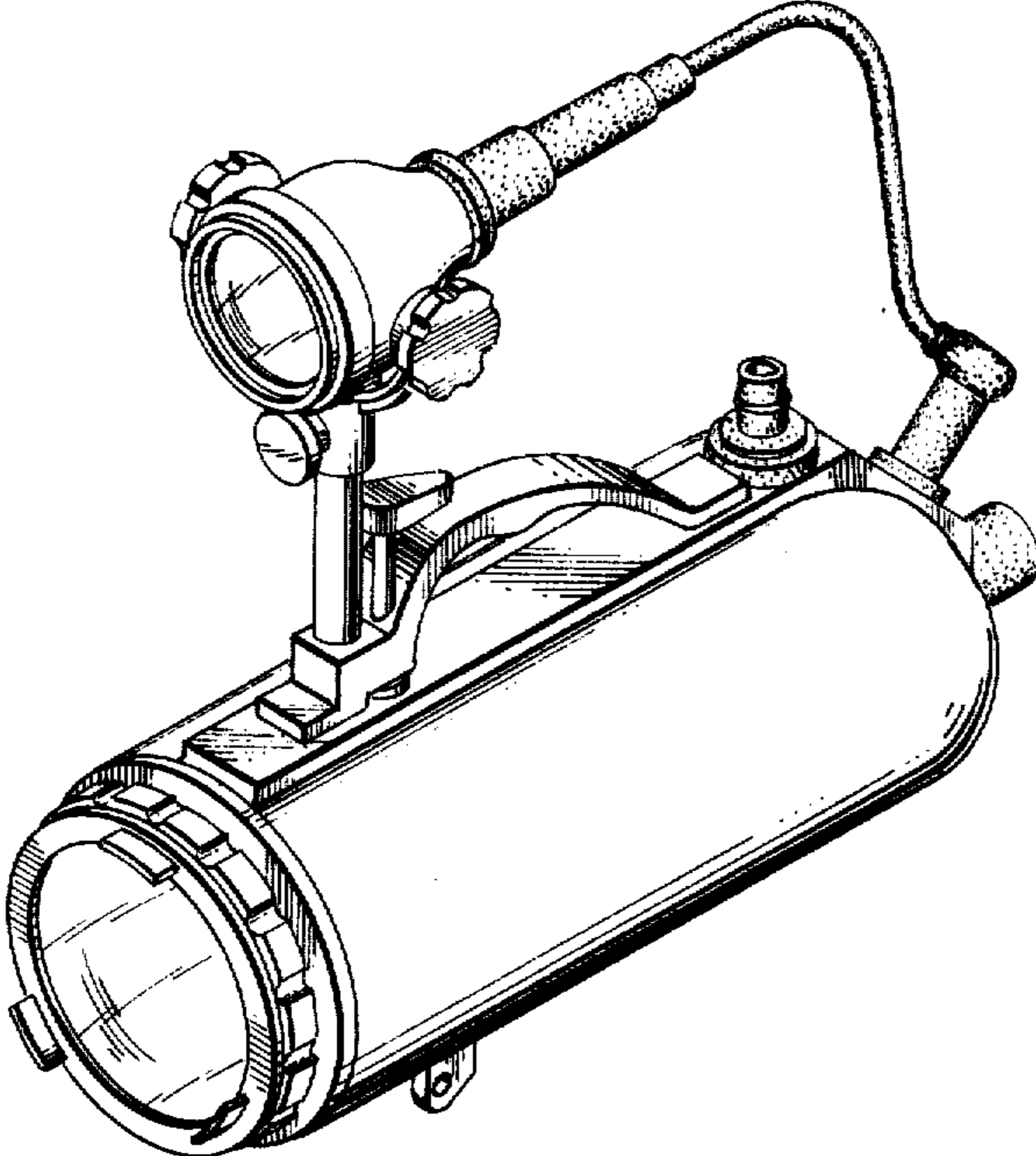


FIG. 1

FIG. 2

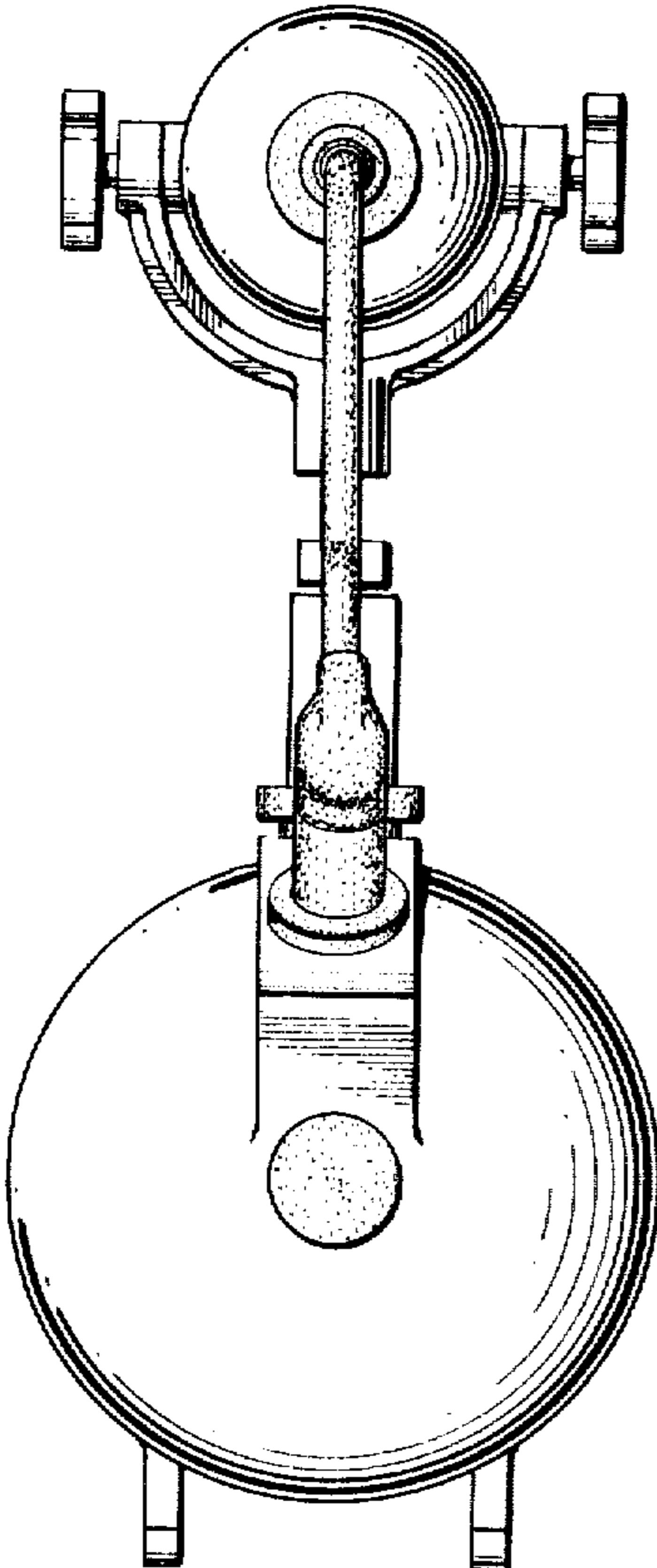


FIG. 3

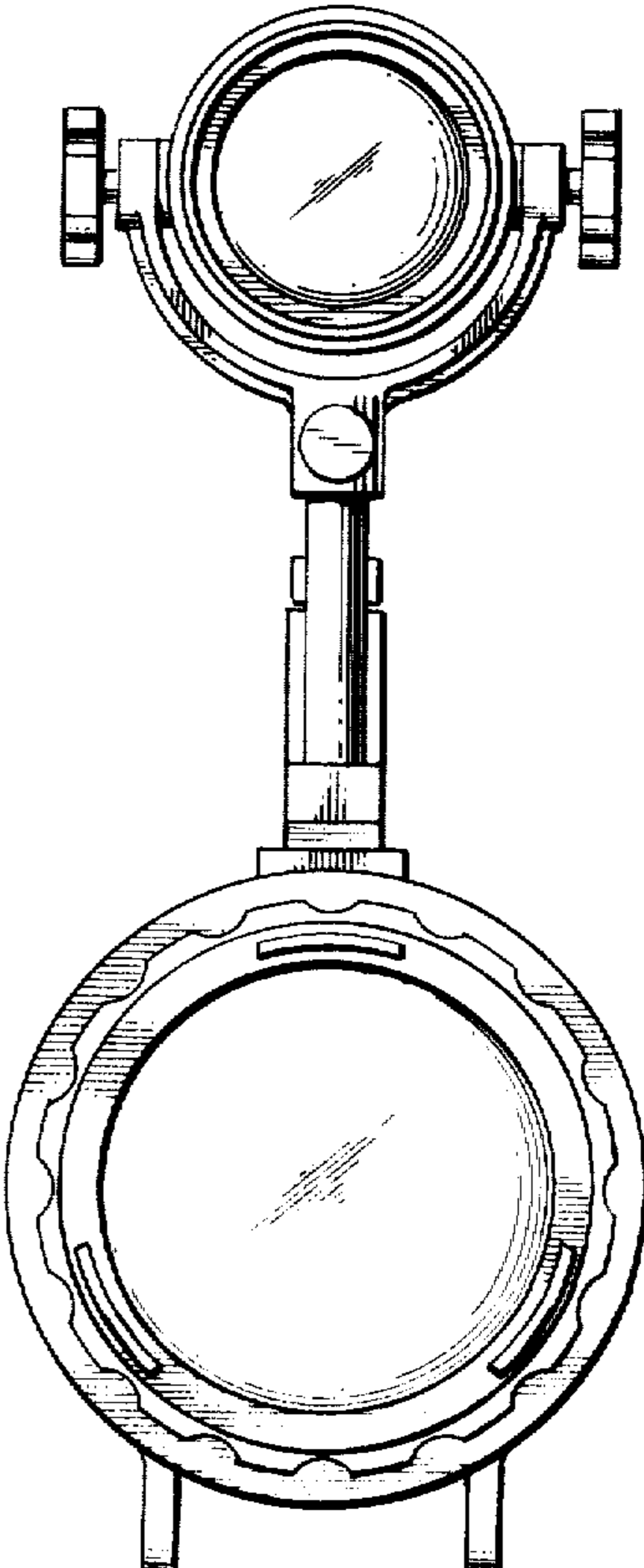


FIG. 2

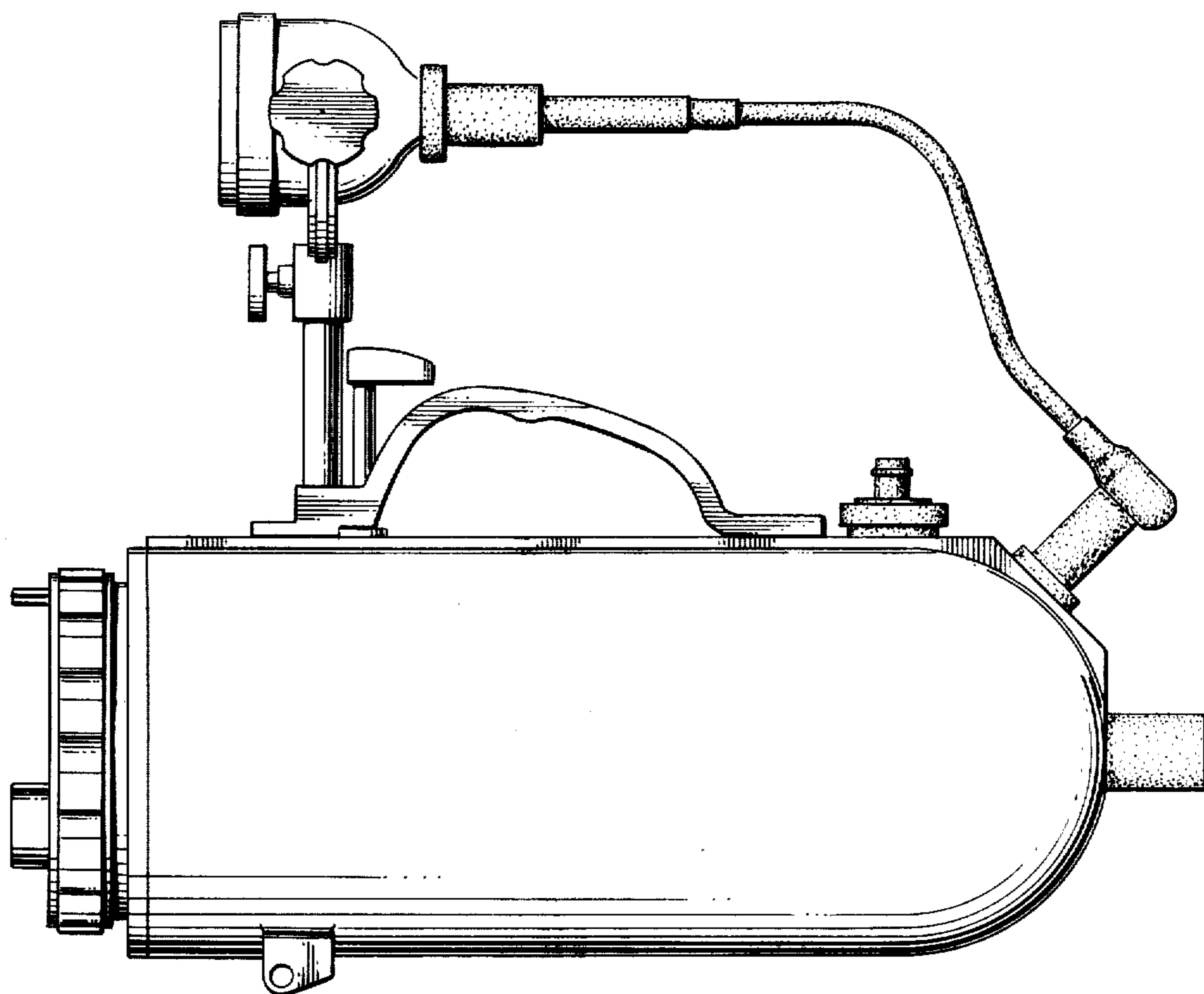


FIG. 3

