

[54] CHEST DRAINAGE BOTTLE

[75] Inventors: Donald P. Elliott, Denver; William L. Halseth, Parker; William R. King, Lakewood, all of Colo.

[73] Assignee: C. R. Bard Inc., Murray Hill, N.J.

[\*\*] Term: 14 Years

[21] Appl. No.: 266,981

[22] Filed: May 26, 1981

[51] Int. Cl. .... D24-02

[52] U.S. Cl. .... D24/59; D24/56; 128/276

[58] Field of Search ..... D24/59, 56, 51; 128/276, 275, 278

[56] References Cited

U.S. PATENT DOCUMENTS

D. 222,312	10/1971	Kurtz et al. ....	D24/56
D. 245,372	8/1977	Kurtz et al. ....	D24/59
D. 255,937	7/1980	Kurtz et al. ....	D24/59
4,018,224	4/1977	Kurtz et al. ....	128/276
4,105,031	8/1978	Kurtz et al. ....	128/276

Primary Examiner—Bernard Ansher  
Attorney, Agent, or Firm—Edwin L. Spangler, Jr.

[57] CLAIM

The ornamental design for a chest drainage bottle, as shown.

DESCRIPTION

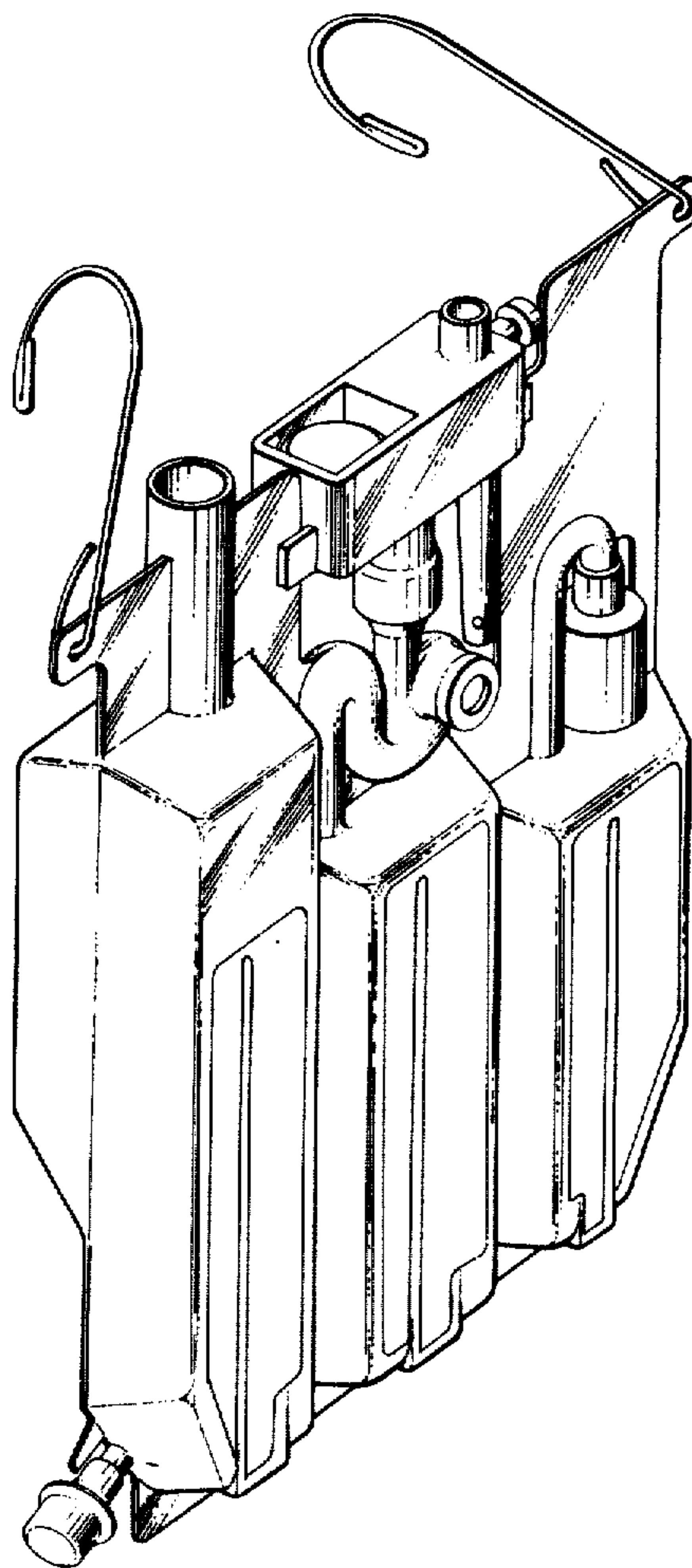
FIG. 1 is a perspective view looking down and to the right at the front of the chest drainage bottle showing our new design;

FIG. 2 is a perspective view looking up and to the right at the rear thereof;

FIG. 3 is a front elevational view thereof;

FIG. 4 is a right side elevational view thereof; and,

FIG. 5 is a top plan view thereof.



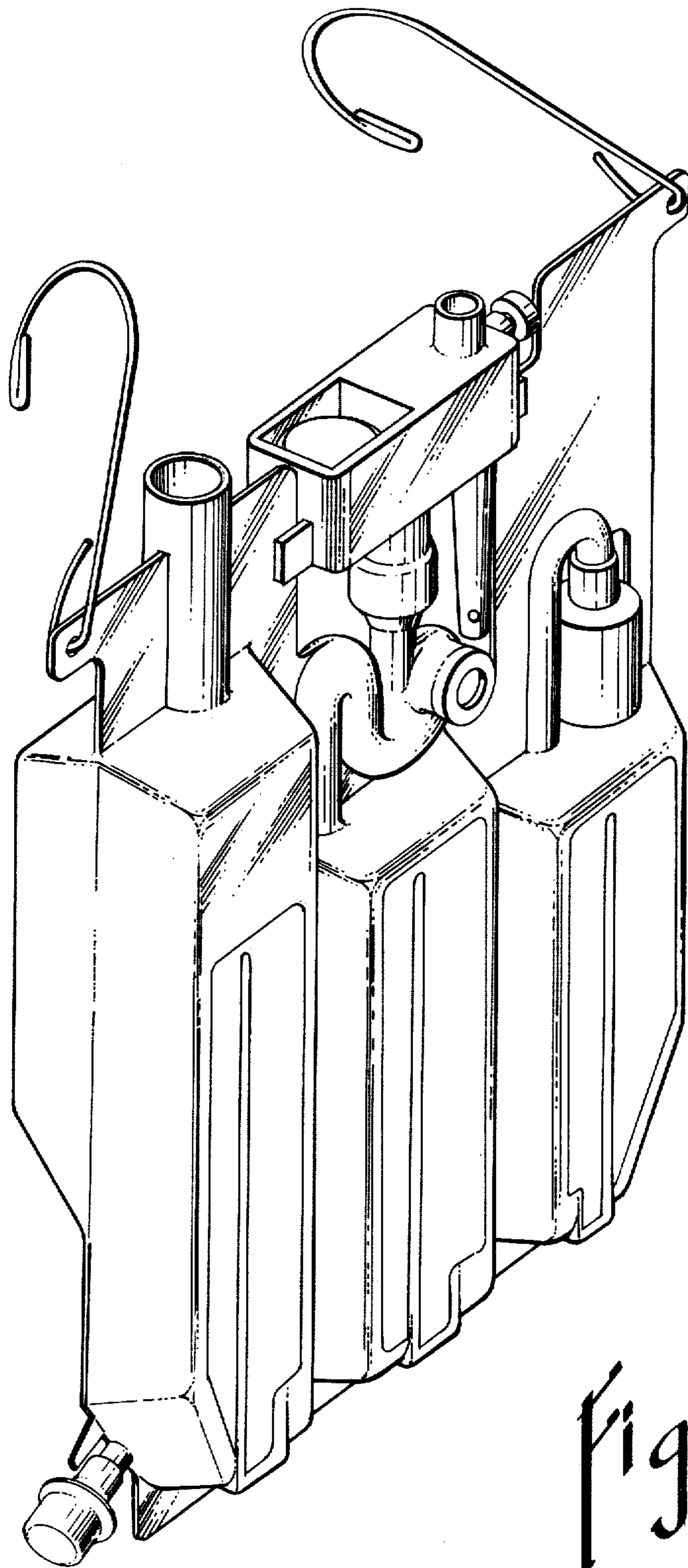
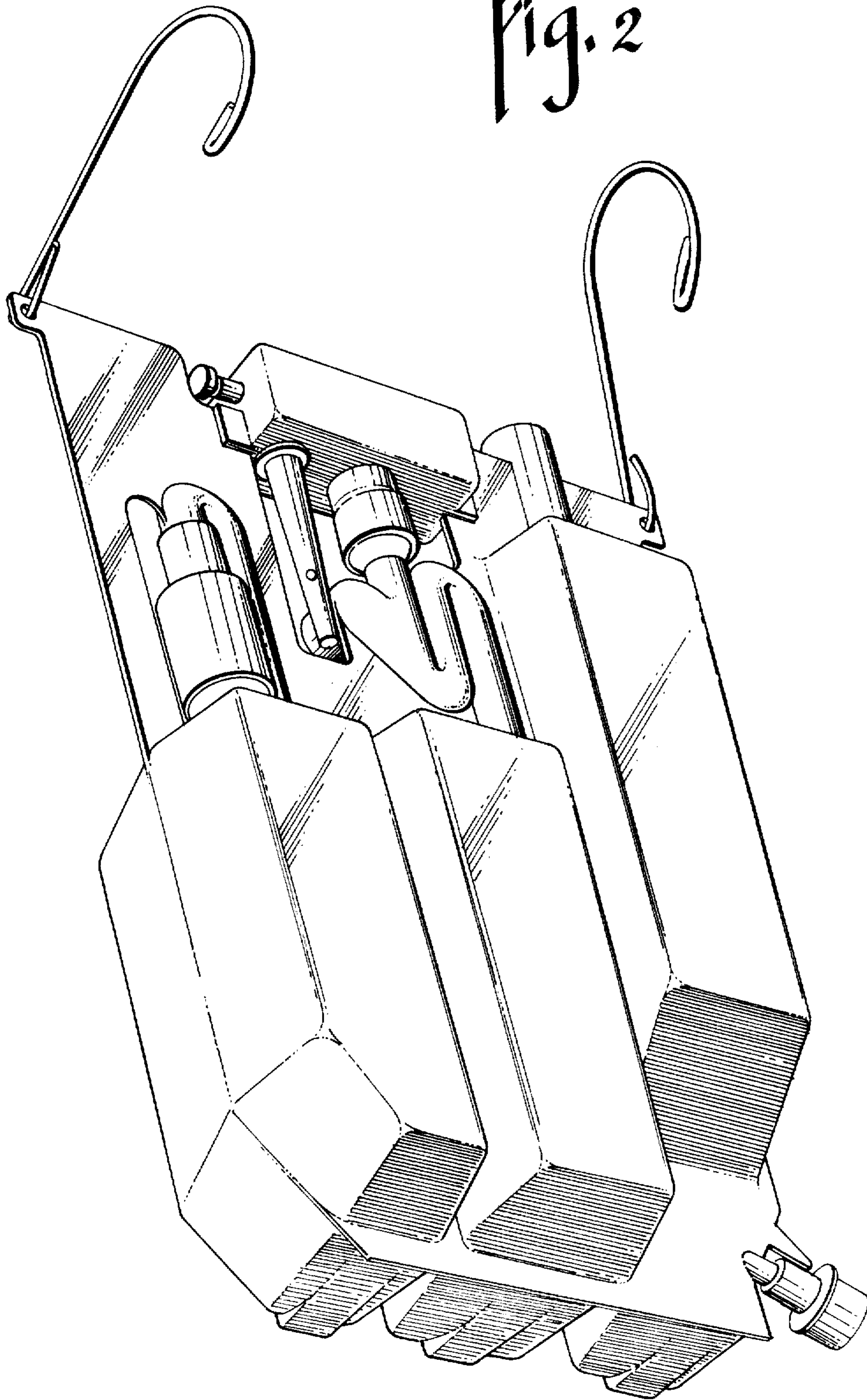
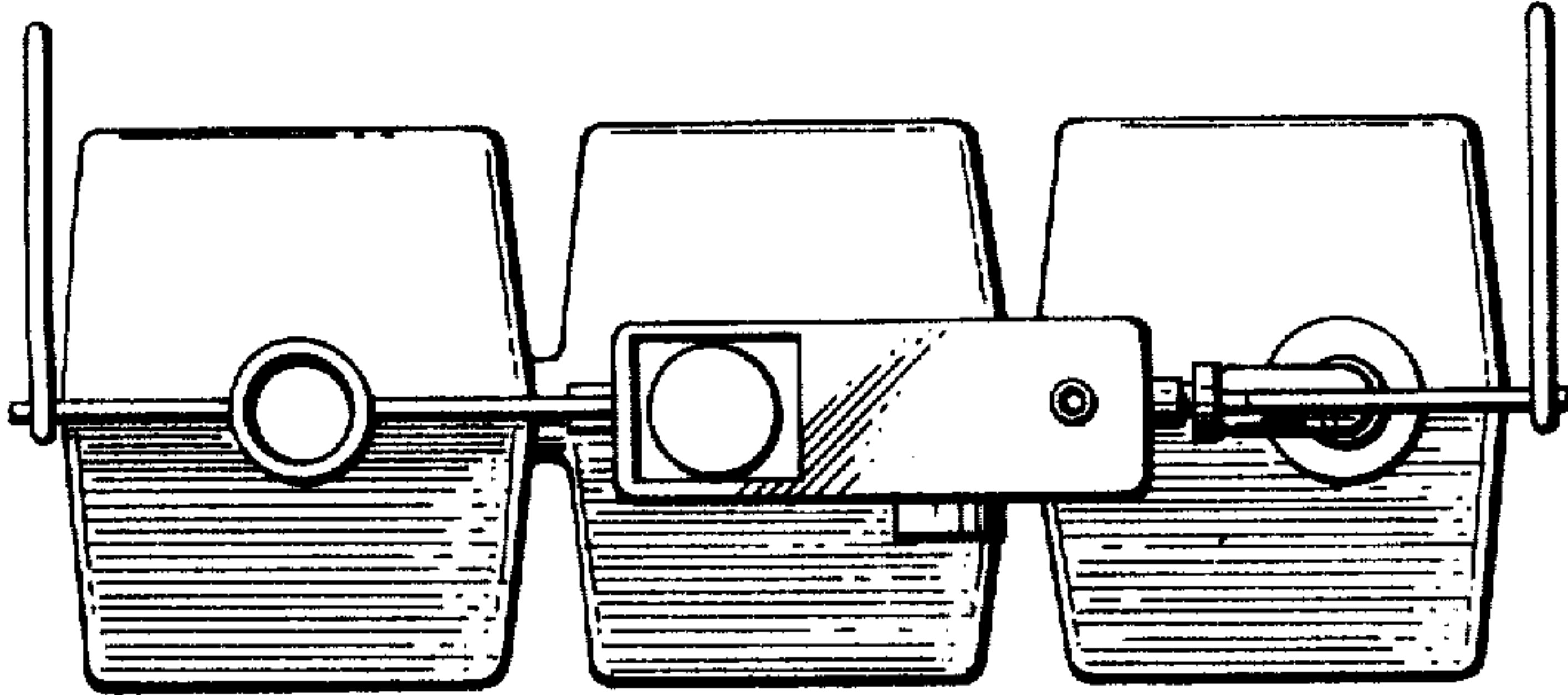


Fig. 2

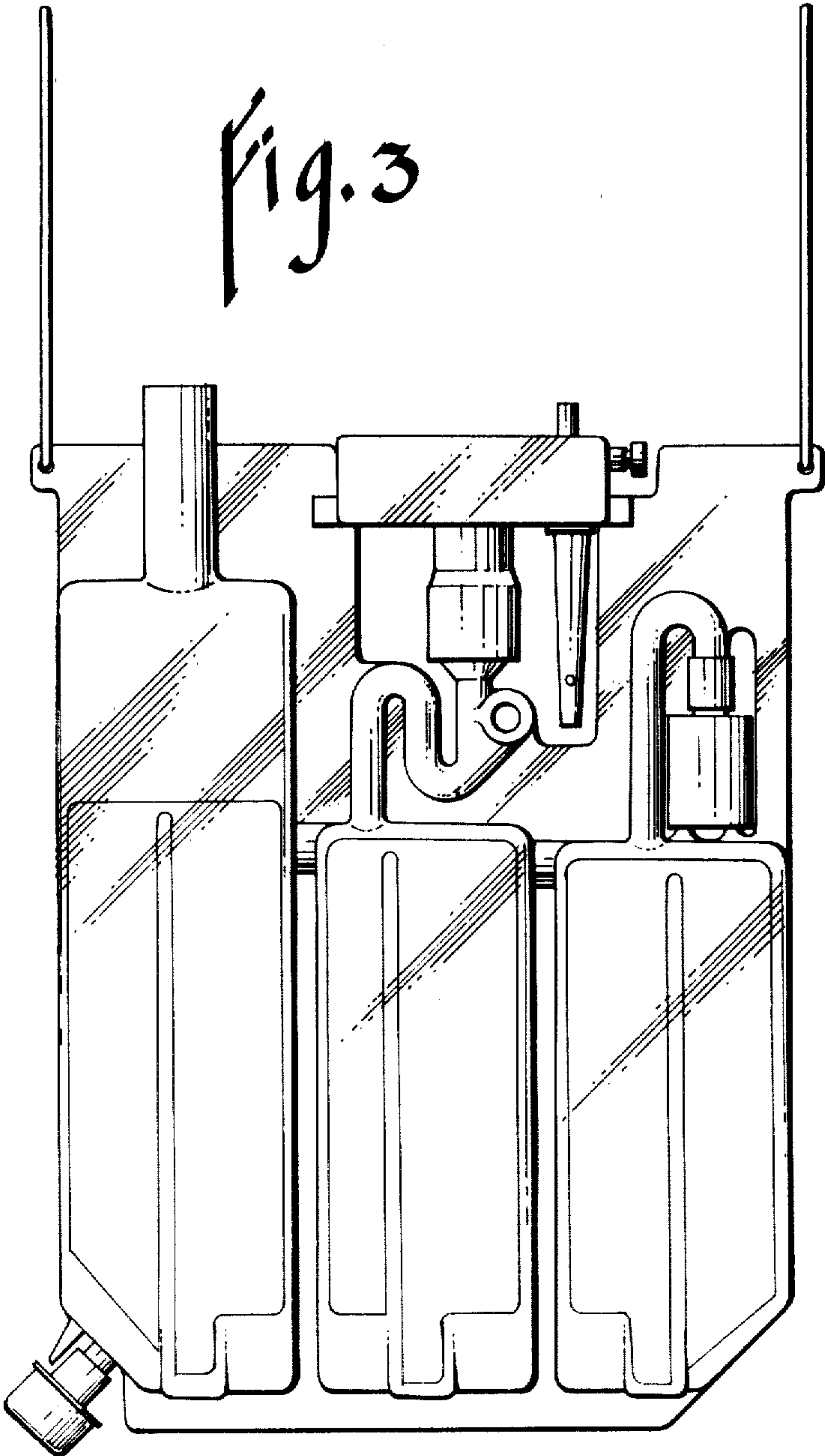






*Fig. 5*

*Fig. 4*



*Fig. 3*

