

[54] PORTABLE CARD IMPRINTER

[76] Inventor: Charles W. Panter, 841 N. York Rd., Apt. 232, Elmhurst, Ill. 60126

[\*\*] Term: 14 Years

[21] Appl. No.: 200,761

[22] Filed: Oct. 27, 1980

[51] Int. Cl. .... D18-02

[52] U.S. Cl. .... D18/14

[58] Field of Search ..... D18/13-15, D18/18; 101/DIG. 18, 252, 269

[56] References Cited

U.S. PATENT DOCUMENTS

D. 217,398	4/1970	Barbour	.....	D18/14
D. 218,991	10/1970	Allport	.....	D18/14
D. 246,870	1/1978	Kalb et al.	.....	D18/14
2,598,161	5/1952	Gruver	.....	101/269
2,747,505	5/1956	Bailey	.....	101/269 X
3,810,424	5/1974	Barbour	.....	101/269

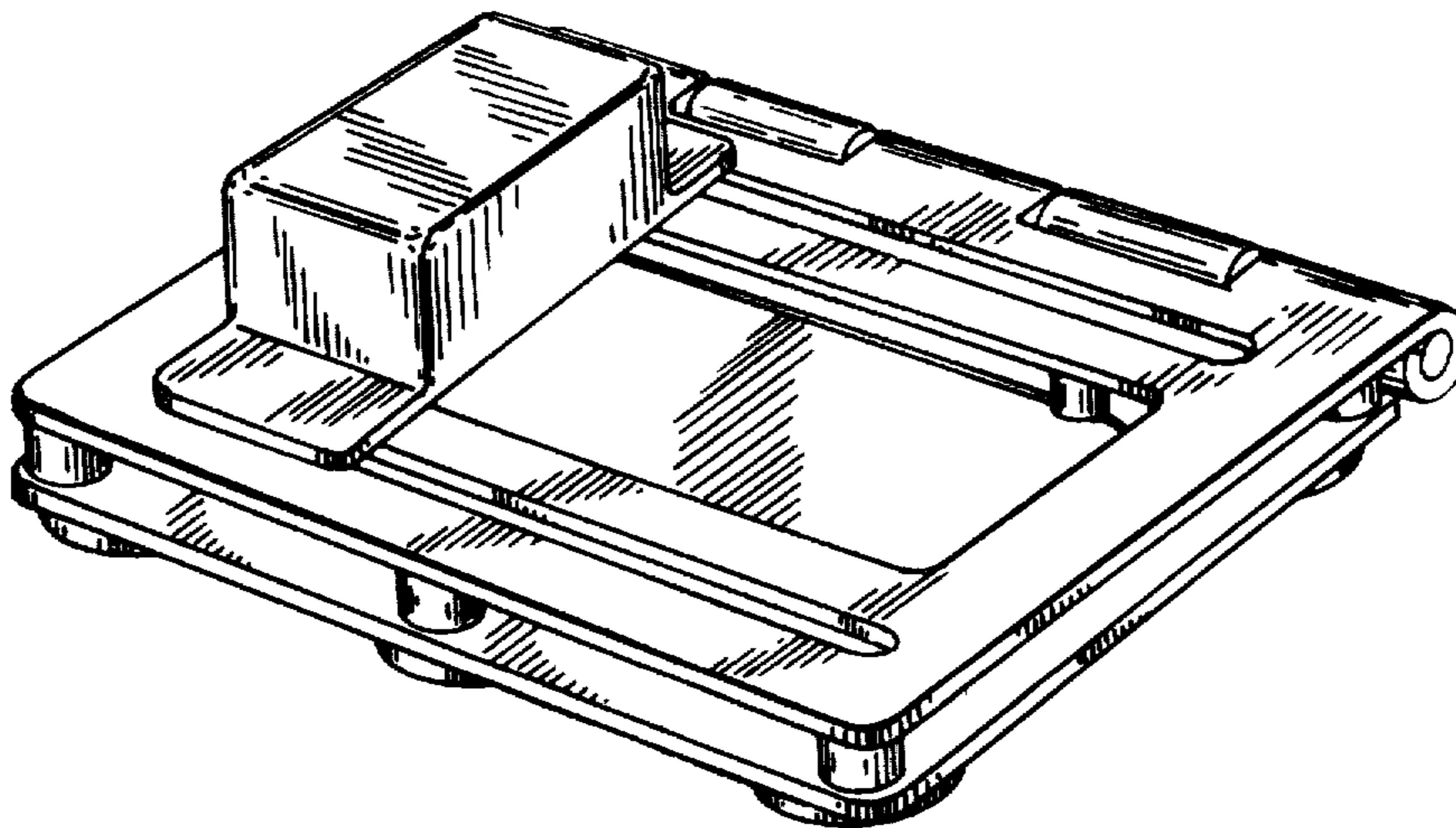
Primary Examiner—Louis S. Zarfes  
Attorney, Agent, or Firm—McWilliams, Mann & Zummer

[57] CLAIM

The ornamental design for a portable card imprinter, substantially as shown.

DESCRIPTION

FIG. 1 is a frontal perspective view of the portable card imprinter, showing my new design; FIG. 2 is a top plan view thereof; FIG. 3 is a front elevational view thereof; FIG. 4 is a side elevational view thereof, as viewed from the right hand side of FIG. 2; FIG. 5 is a side elevational view thereof, as viewed from the left hand side of FIG. 2; FIG. 6 is a bottom plan view thereof; FIG. 7 is a rear elevational view thereof; and FIG. 8 is a plan view of the portable card imprinter in its fully open position.



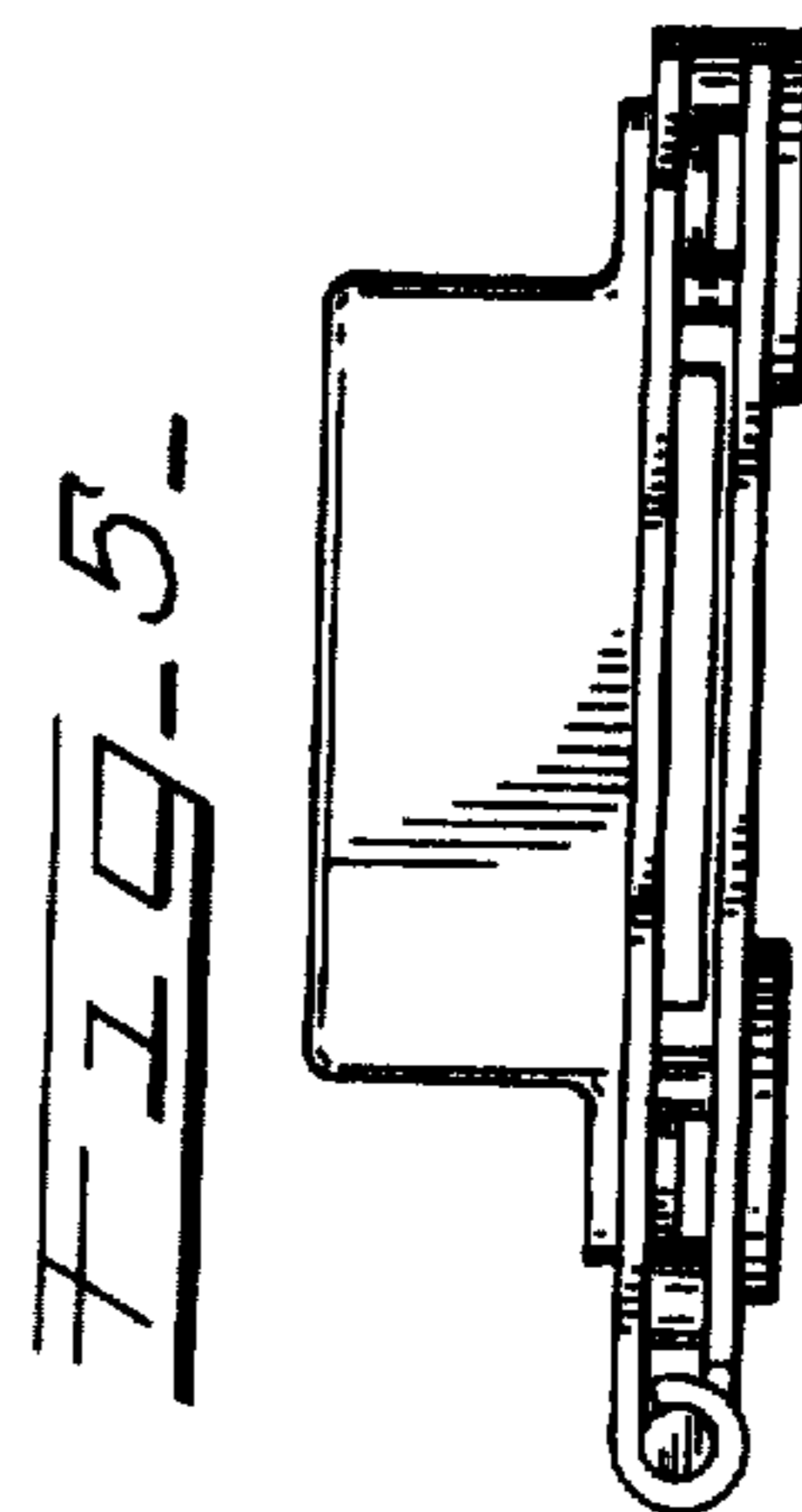
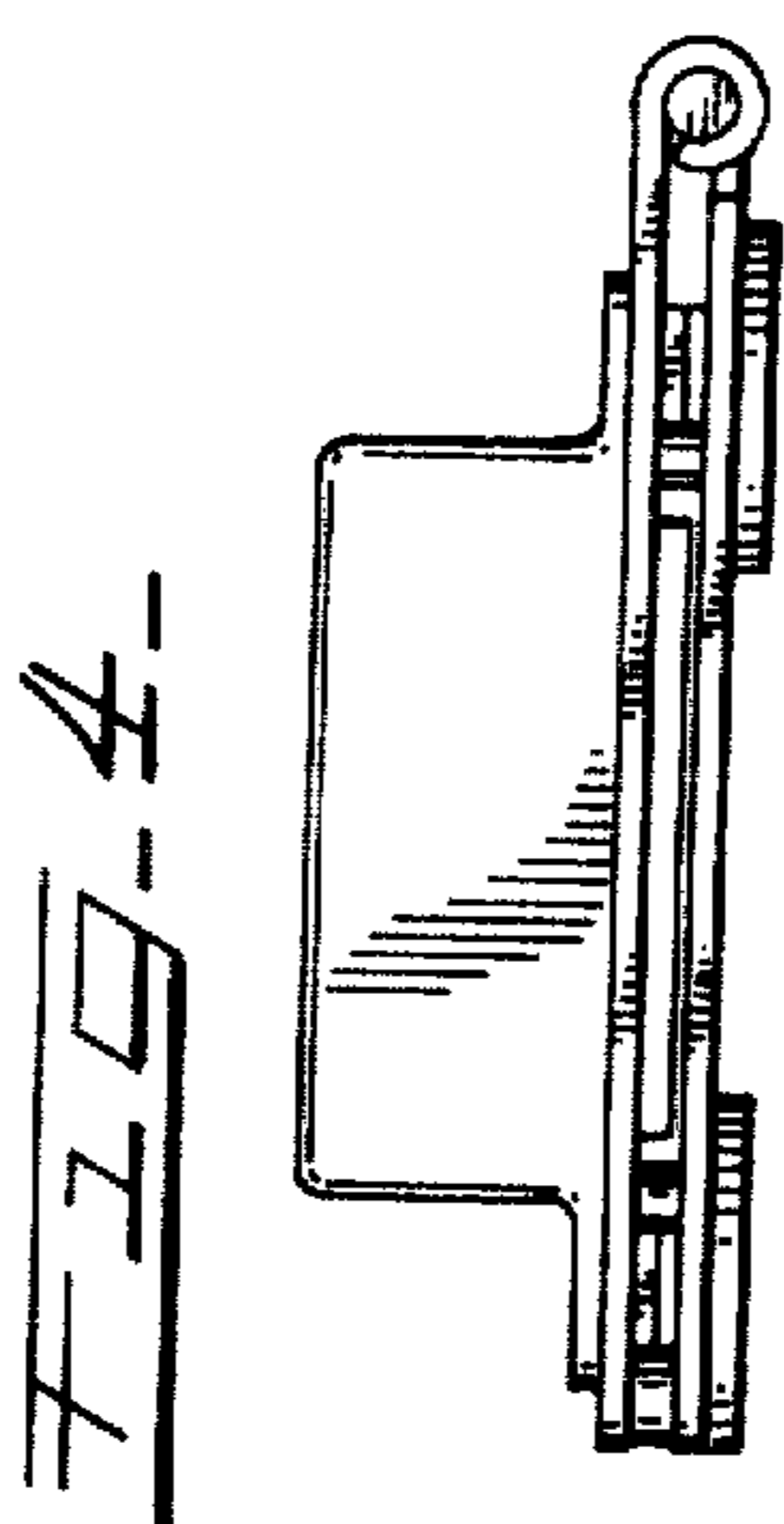
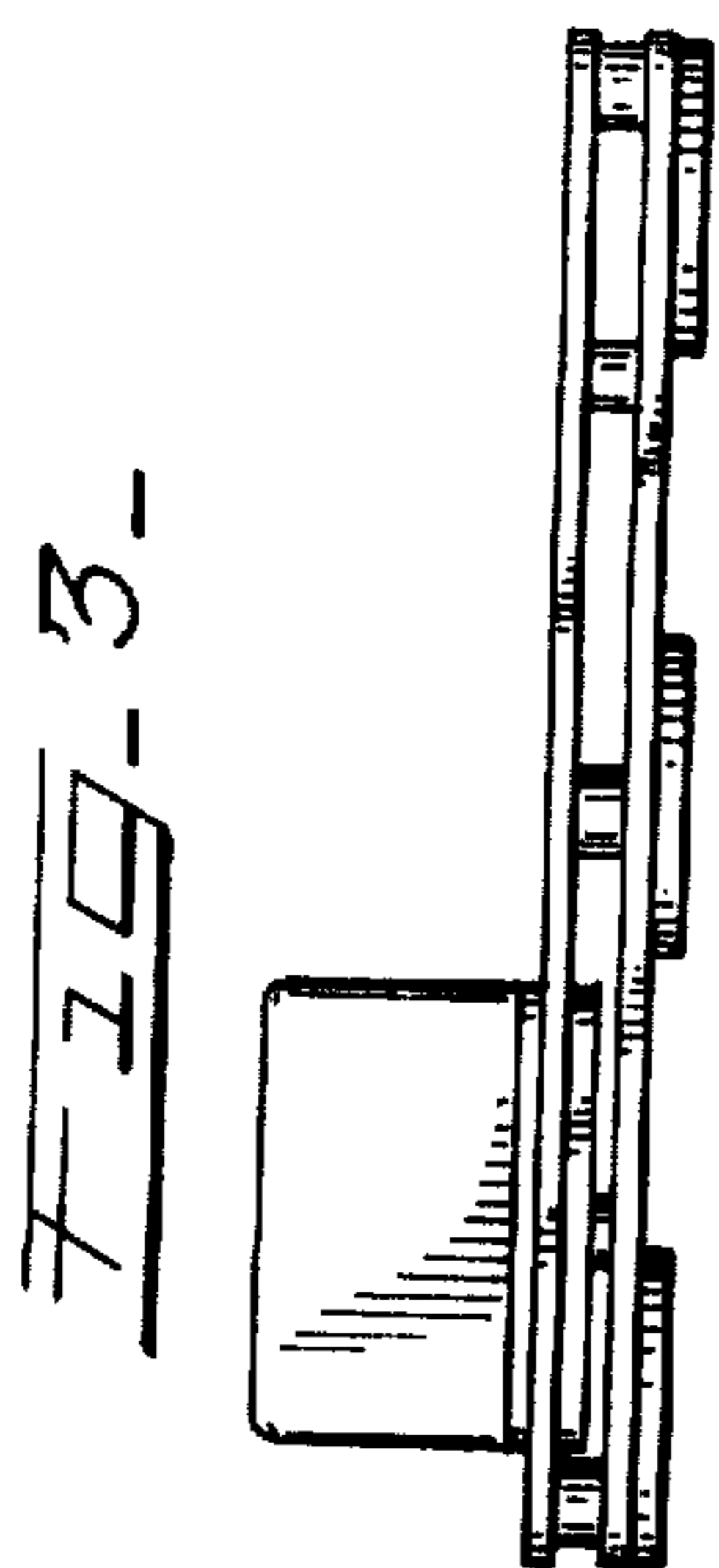
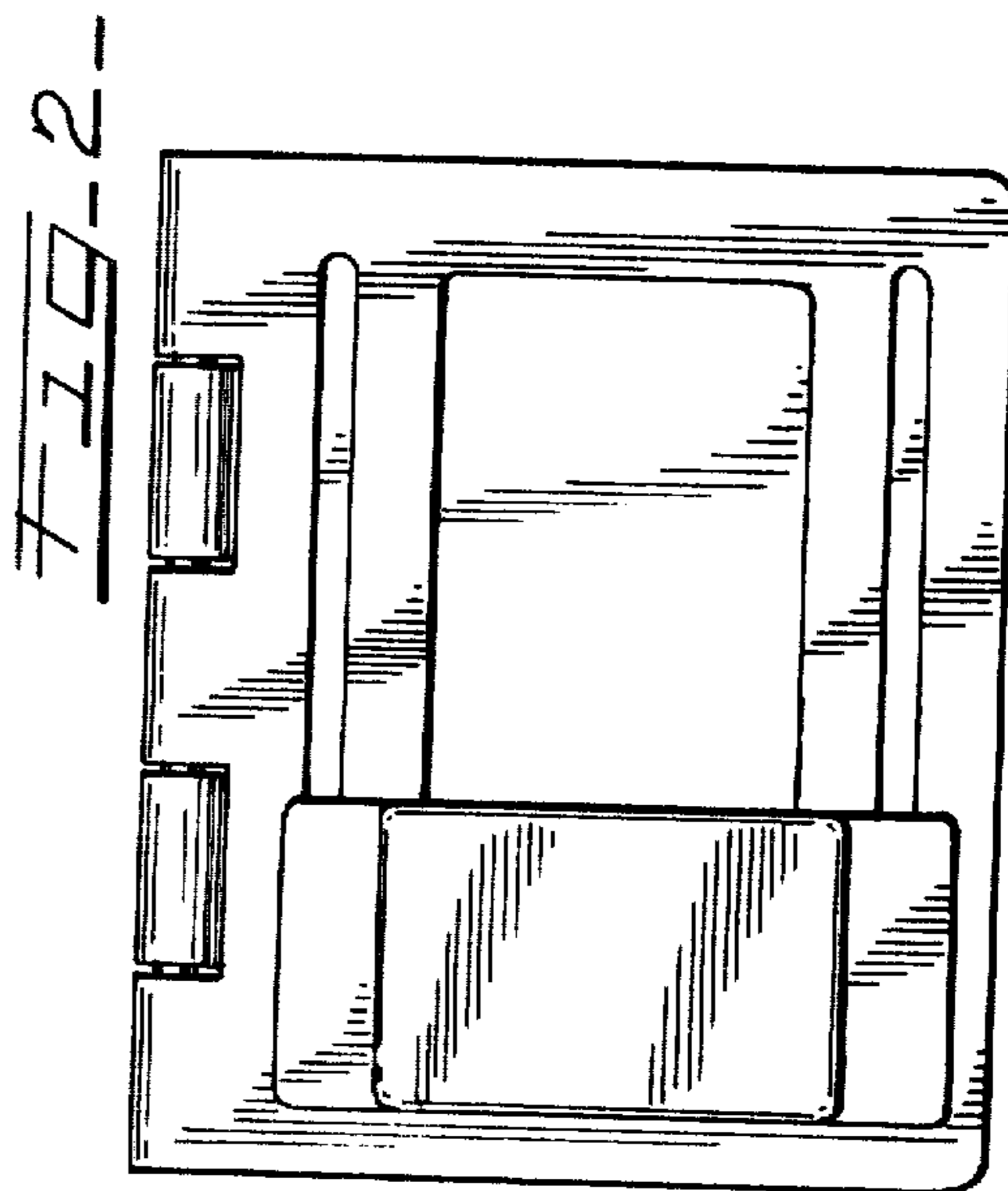
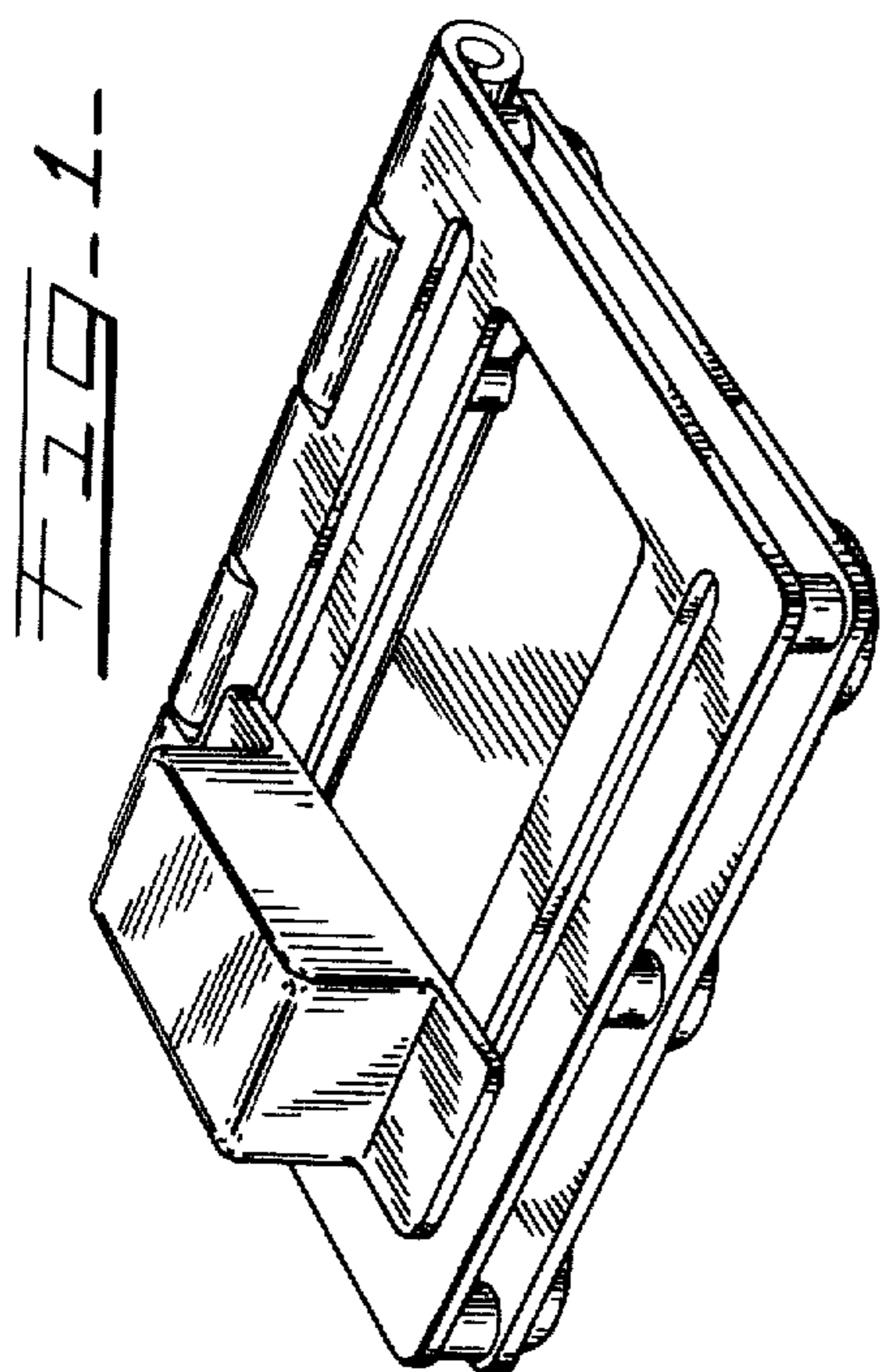


FIG. 6.

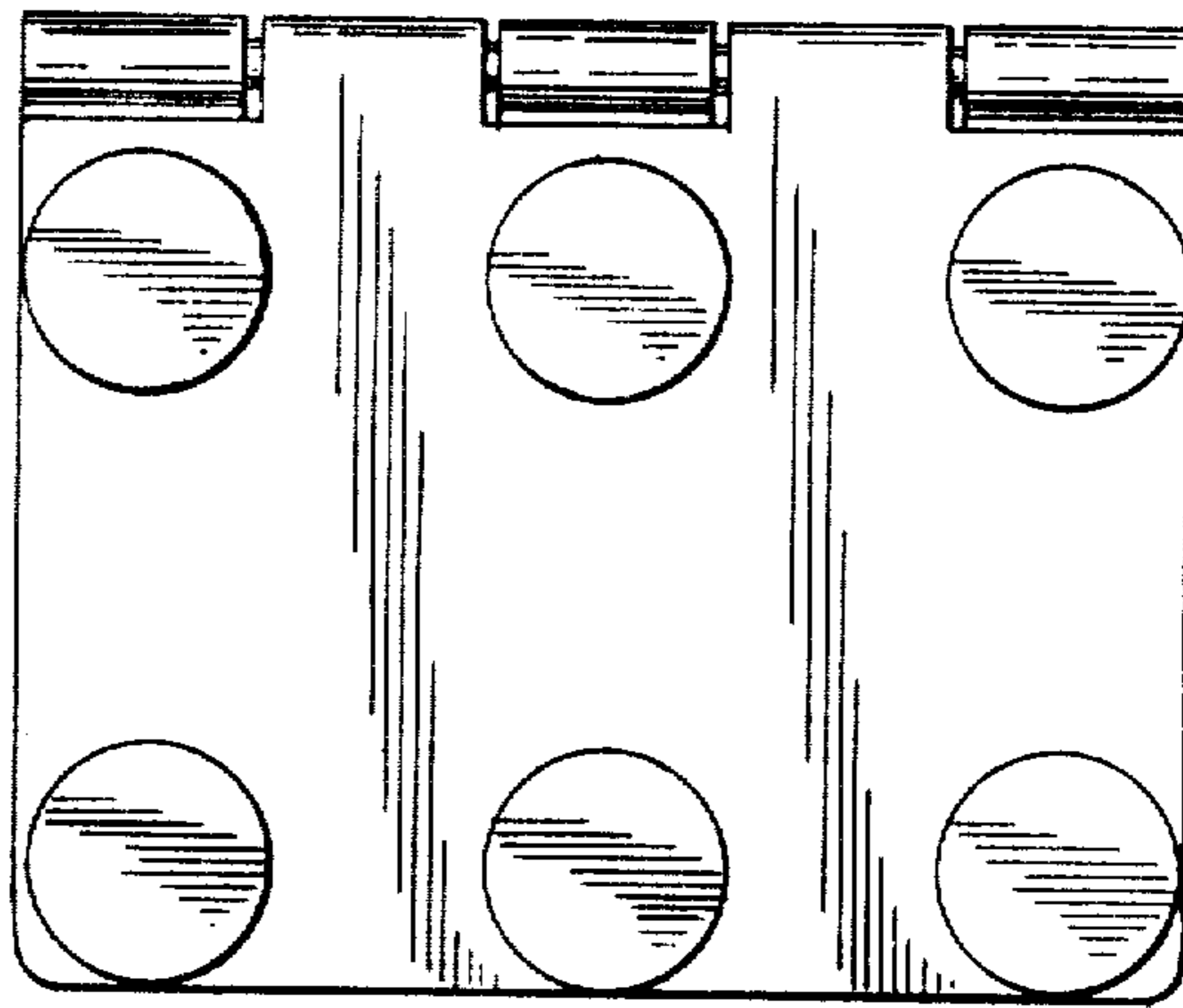


FIG. 7.

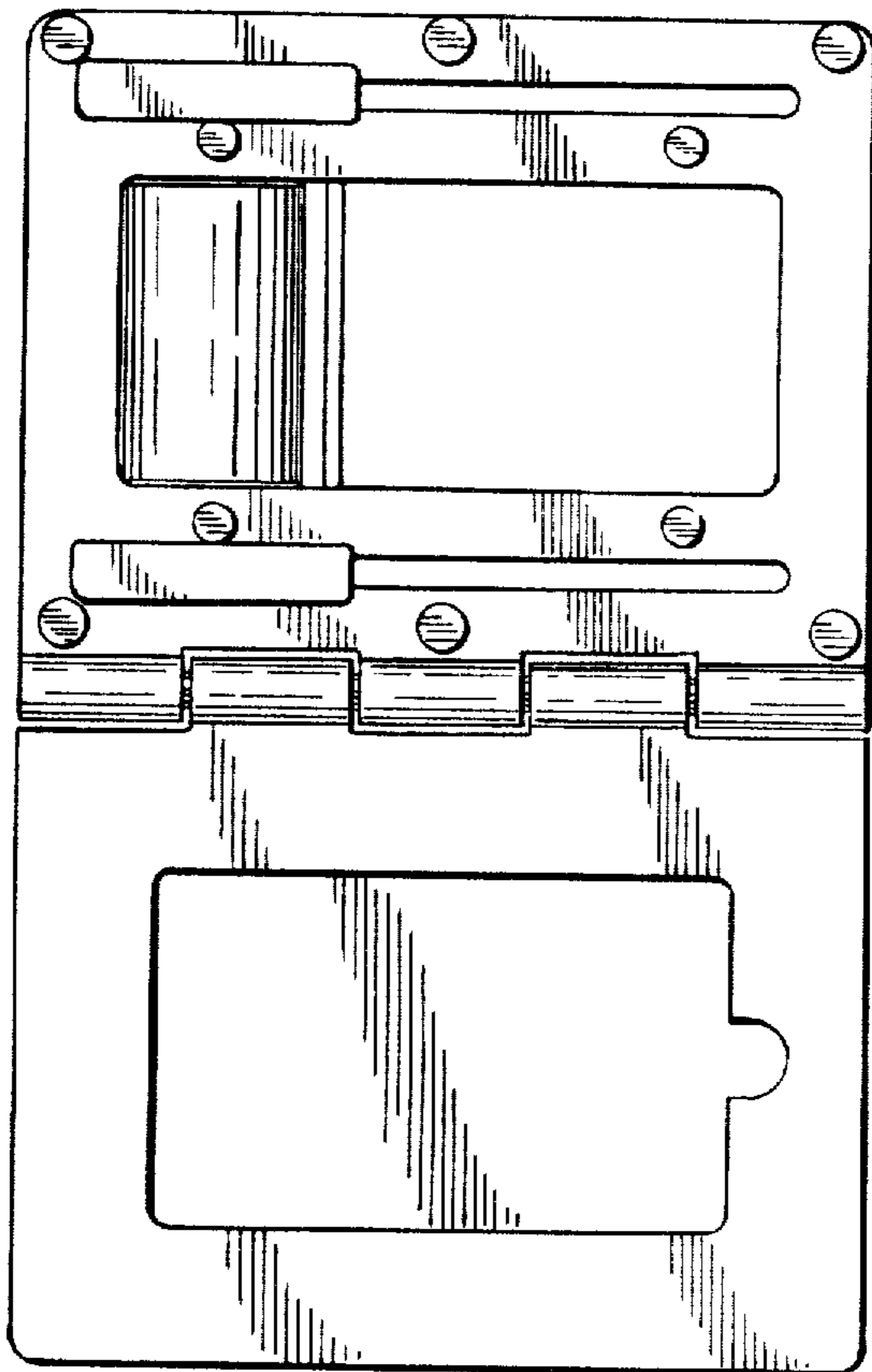
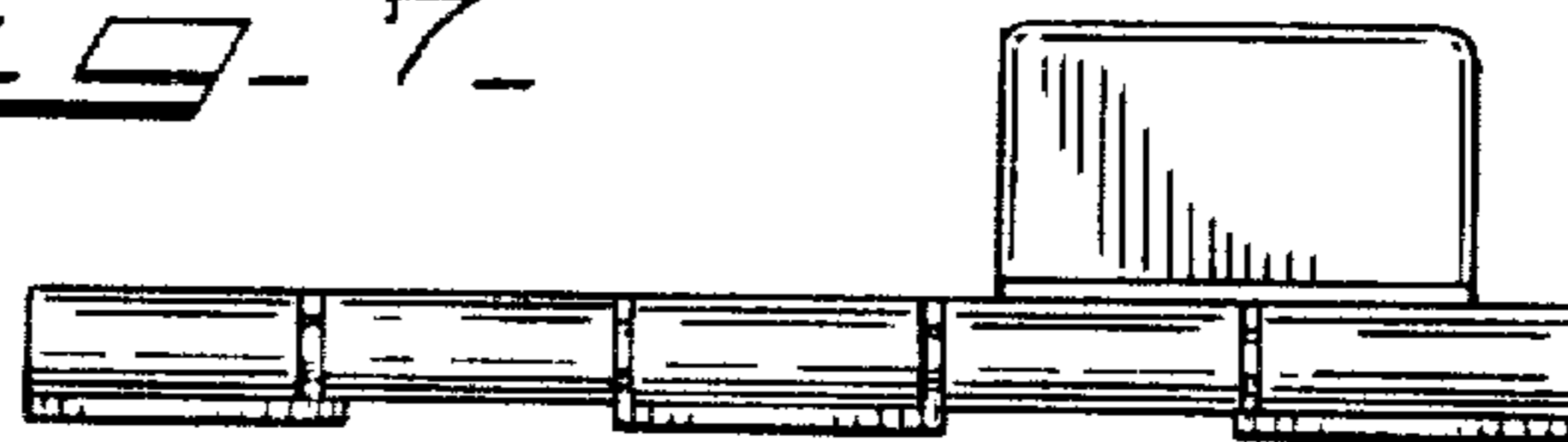


FIG. 8.