

[54] **CONTINUOUS PAPER INPUT MODULE**

[75] **Inventor: Robert E. Kalvitis, Fairport, N.Y.**

[73] **Assignee: Xerox Corporation, Stamford, Conn.**

[**] **Term: 14 Years**

[21] **Appl. No.: 28,407**

[22] **Filed: Apr. 9, 1979**

Related U.S. Application Data

[63] **Continuation-in-part of Ser. No. 811,018, Jun. 29, 1977.**

[51] **Int. Cl. D16-03**

[52] **U.S. Cl. D16/32**

[58] **Field of Search D16/27, 28, 29, 30,
D16/31, 32, 26; 271/3.1; 226/74, 75; 355/3 R,
16, 7 S, 35 H**

[56] **References Cited**

U.S. PATENT DOCUMENTS

D. 234,005	12/1974	Yagi et al.	D16/27
D. 238,818	2/1976	Robertson et al.	D16/32
4,010,945	3/1977	Kistner	271/3.1 X
4,164,347	8/1979	McGrain	271/3.1
4,264,200	4/1981	Tickner et al.	226/74
4,300,710	11/1981	DuBois et al.	226/74
4,304,345	12/1981	Carlin	226/74

Primary Examiner—Catherine E. Kemper
Attorney, Agent, or Firm—Bernard A. Chiama

[57] **CLAIM**

The ornamental design for a continuous paper input module, substantially as shown and described.

DESCRIPTION

FIG. 1 is a perspective view of a continuous paper input module showing my new design; FIG. 2 is a front elevational view thereof; FIG. 3 is a rear elevational view thereof; FIG. 4 is a left side elevational view thereof; FIG. 5 is a right side elevational view thereof; FIG. 6 is a top plan view thereof; and FIG. 7 is a bottom plan view thereof.

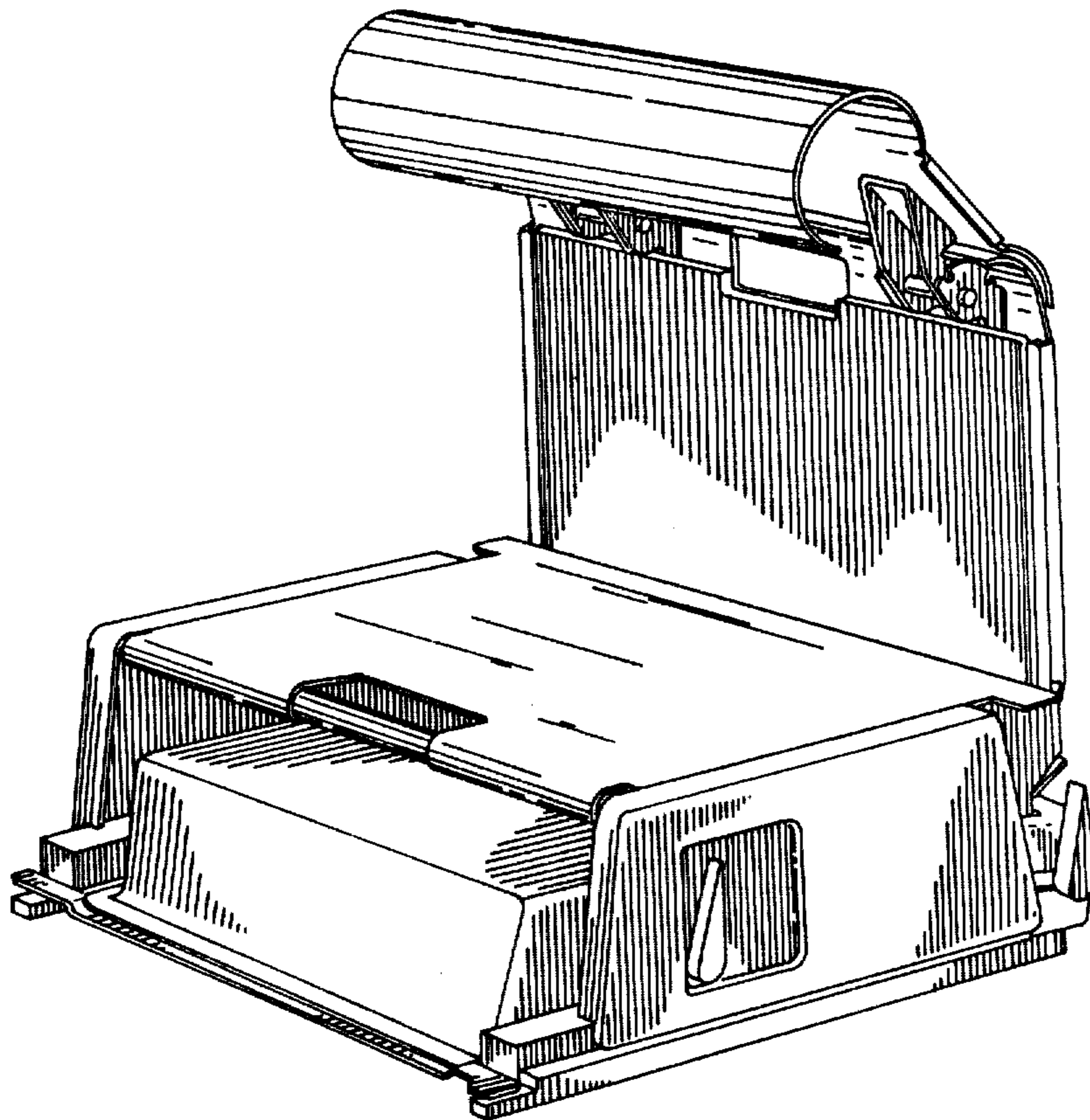


FIG. 1

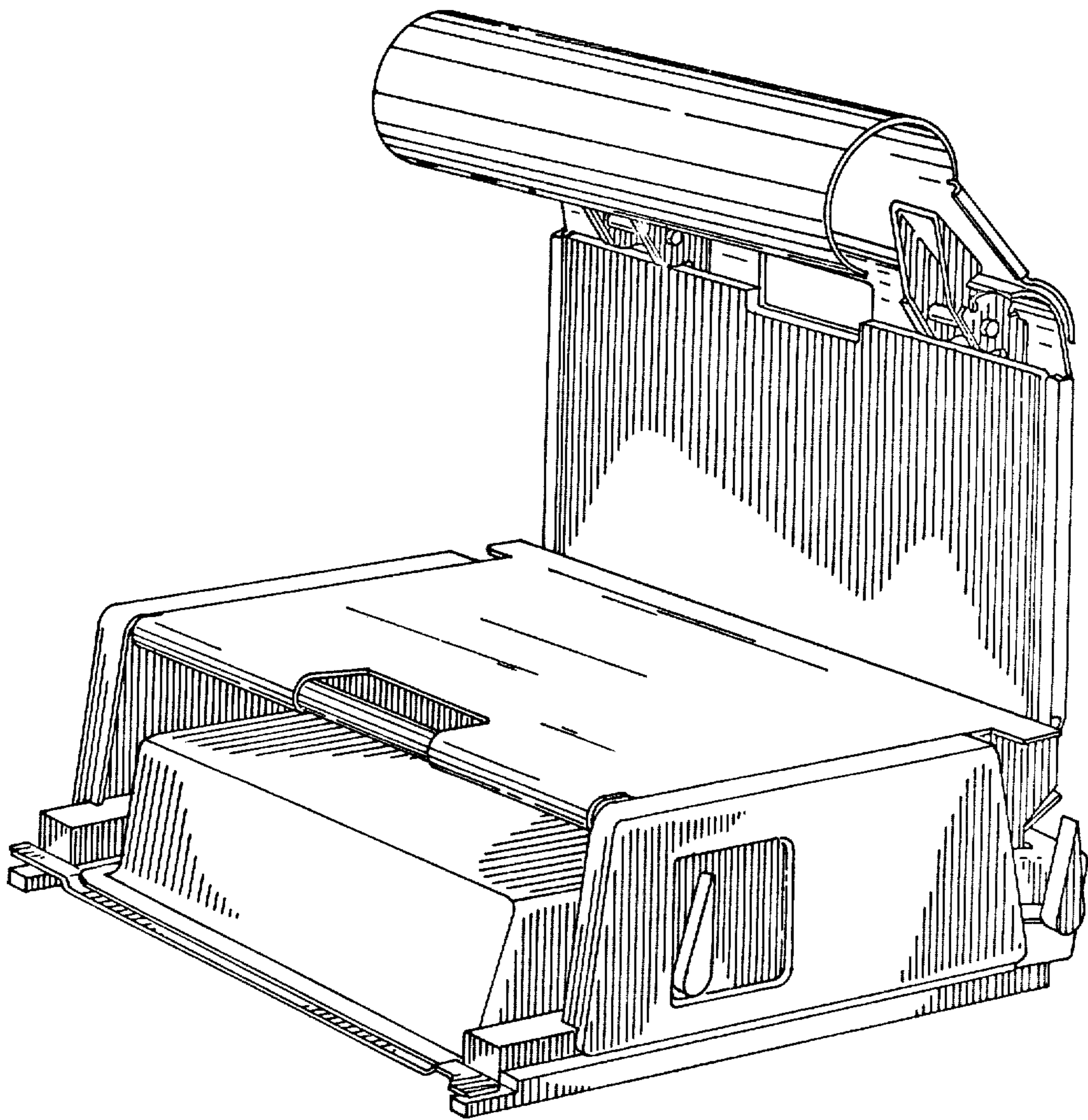


FIG. 2

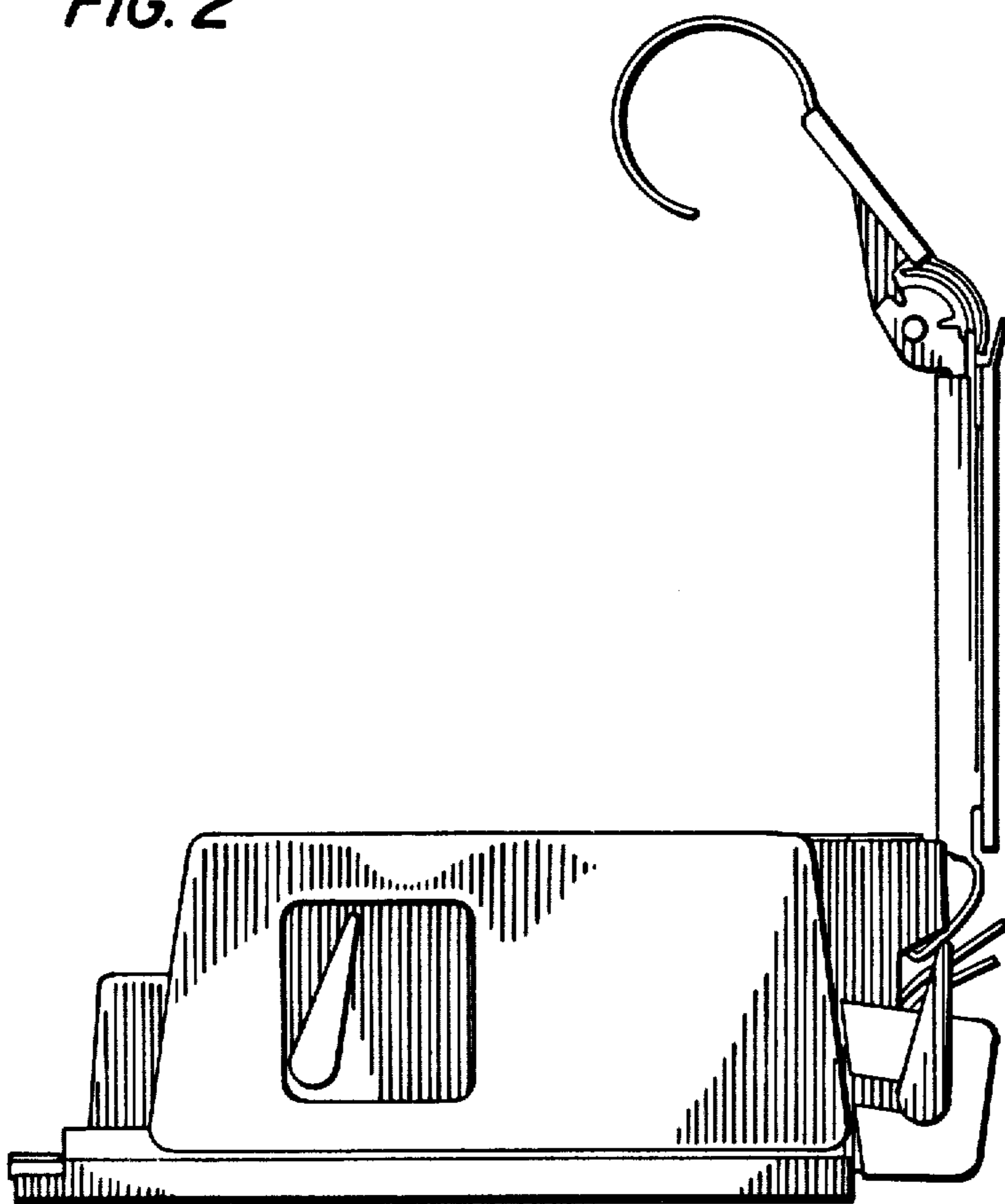


FIG. 3

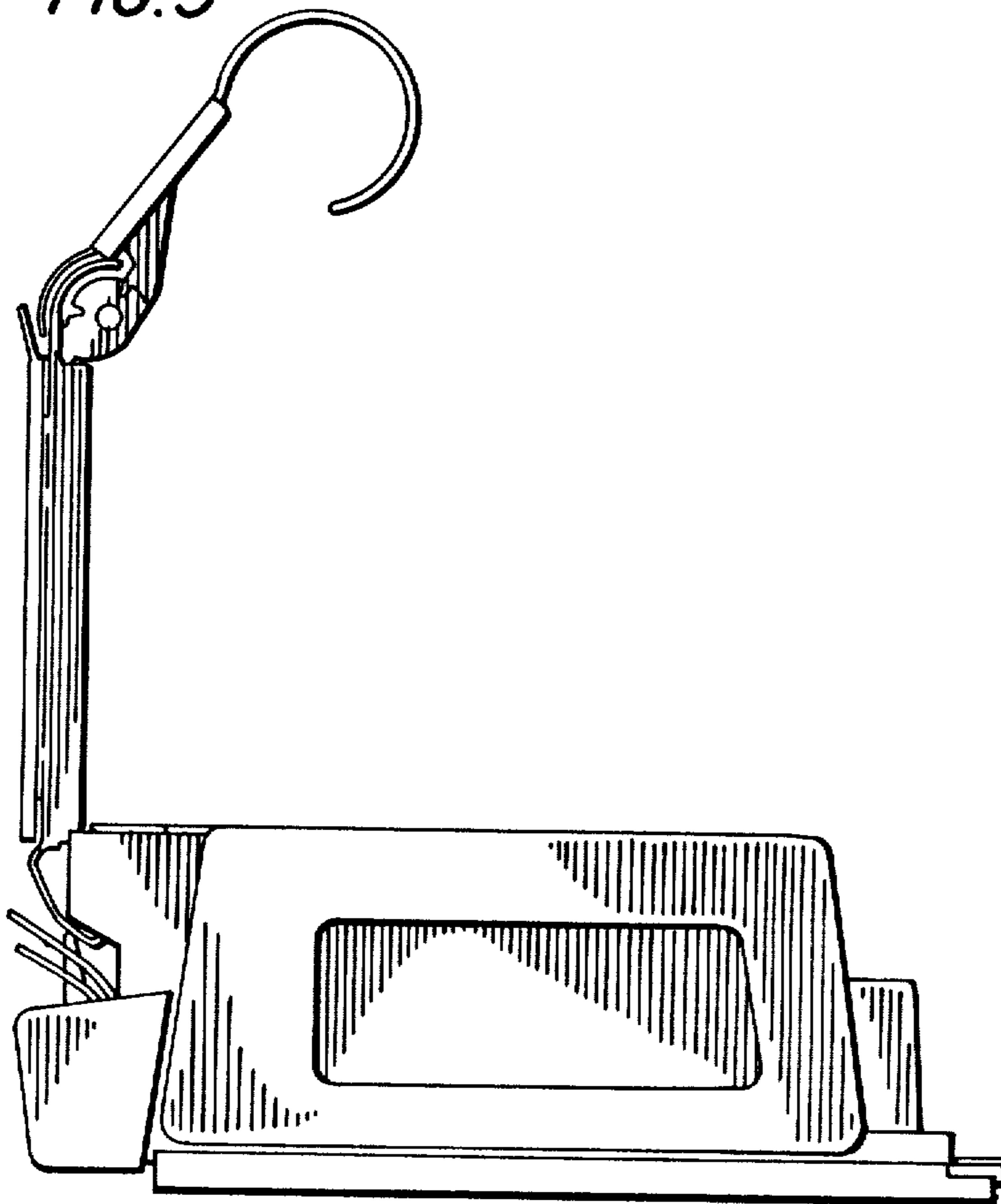


FIG. 4

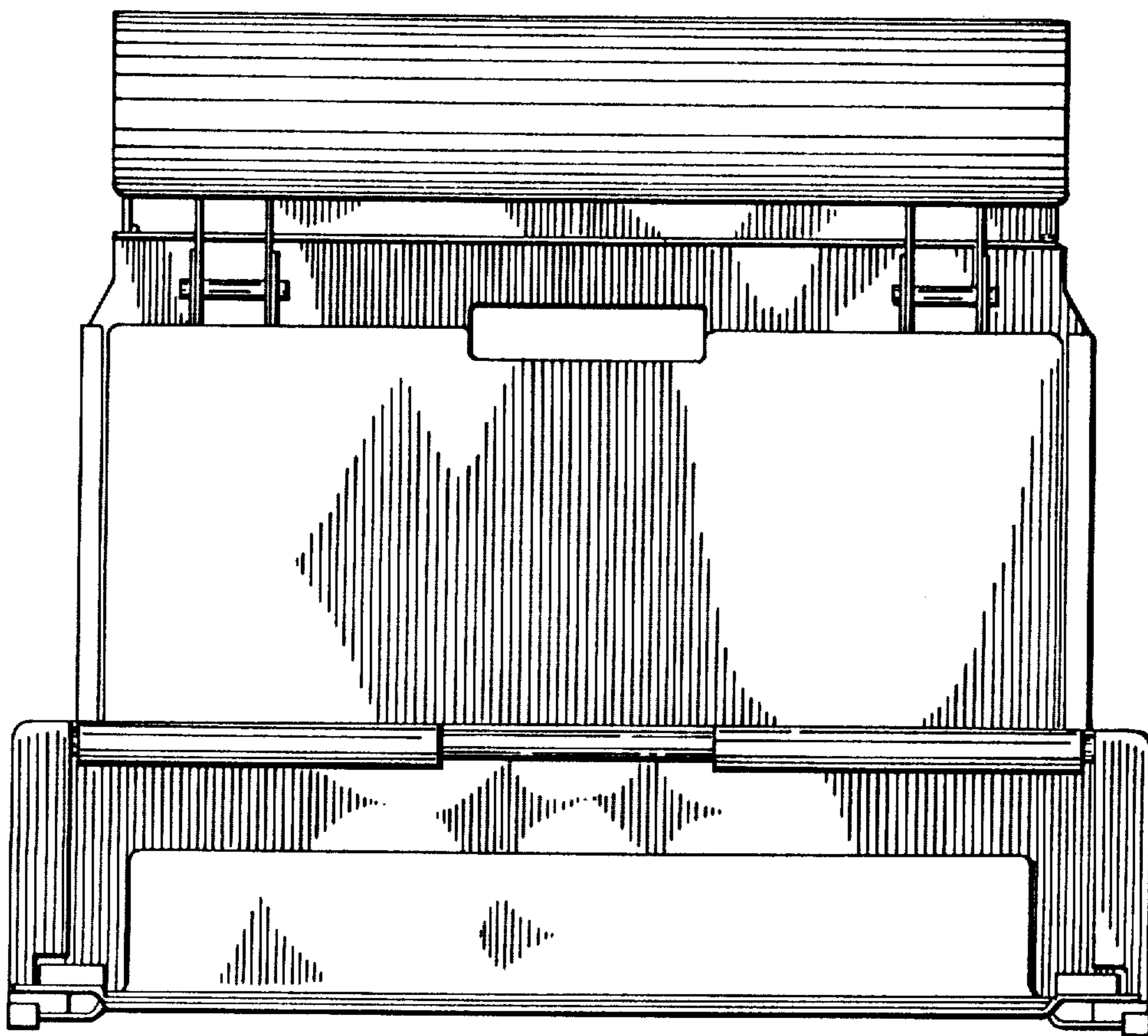


FIG. 5

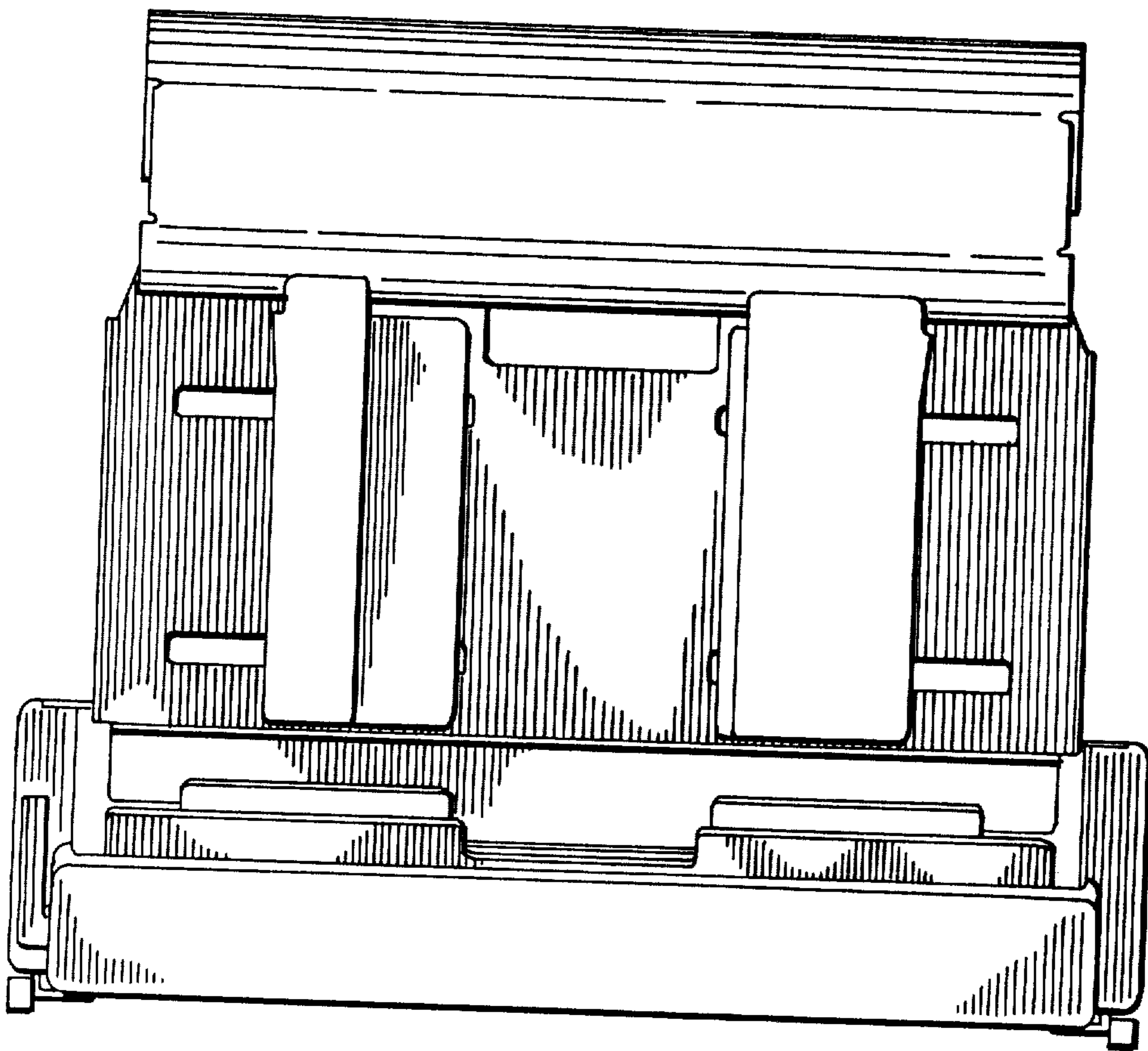


FIG. 6

