

[54] MOBILE ASPHALT PAVEMENT SEALING MACHINE

3,559,543 2/1971 Schwoebel, Jr. .... 404/101

[76] Inventor: Jimmy W. Tate, 22 W. Watson St., Anniston, Ala. 36201

[\*\*] Term: 14 Years

[21] Appl. No.: 162,178

[22] Filed: Jun. 23, 1980

[51] Int. Cl. .... D15-04

[52] U.S. Cl. .... D15/13; D15/27; D12/101

[58] Field of Search ..... D15/10, 13, 19, 27; D12/101, 102; 404/111, 101, 100, 83; 239/159, 162, 150

[56] References Cited

U.S. PATENT DOCUMENTS

D. 166,169 3/1952 Baumgardner ..... D12/101  
3,283,675 11/1966 Gifford et al. .... 404/111

OTHER PUBLICATIONS

Seal-Mor Model SS-550 Flyer, Emulsion & Sand Sealer Machine. American City & County; 4/80,P48, Crafcoc Sealer, top of page.

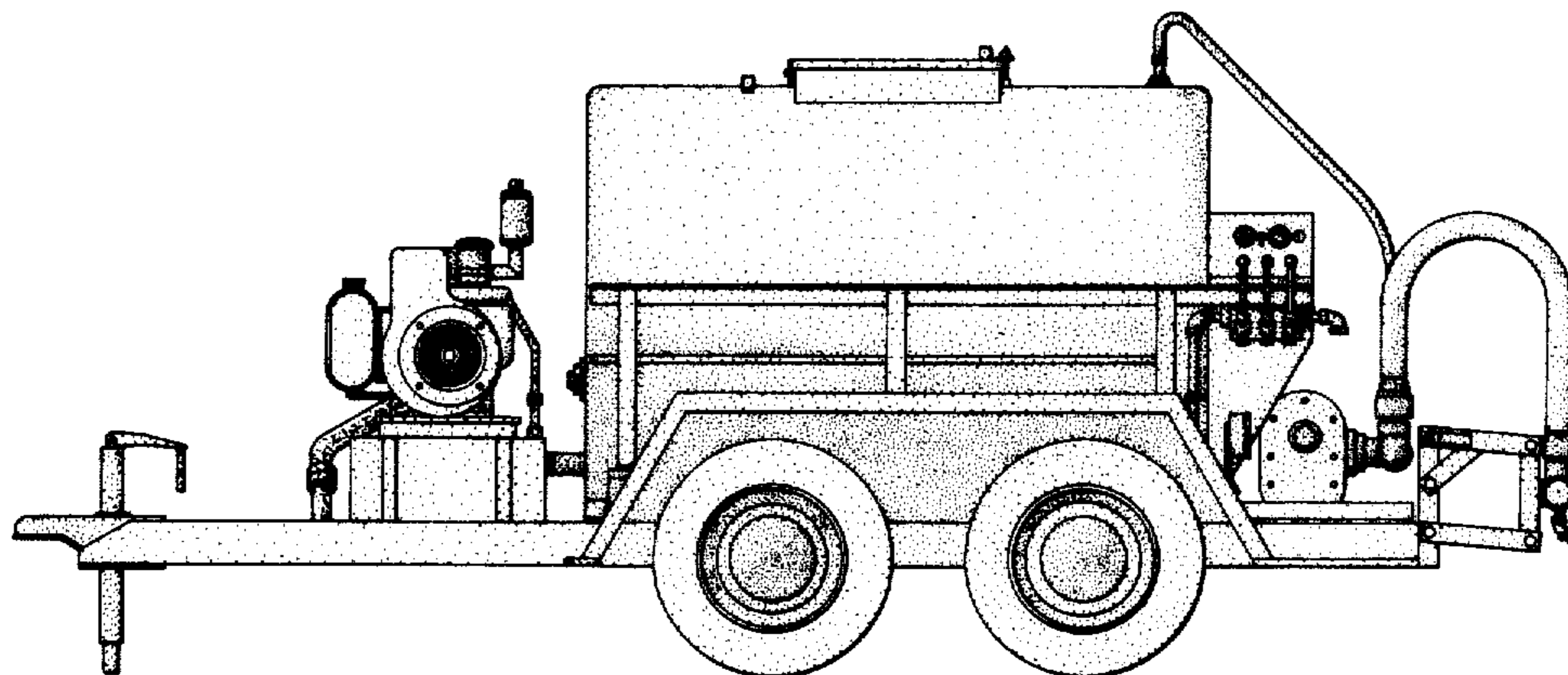
Primary Examiner—James M. Gandy  
Attorney, Agent, or Firm—Woodford R. Thompson, Jr.

[57] CLAIM

The ornamental design for a mobile asphalt pavement sealing machine, as shown.

DESCRIPTION

FIG. 1 is a side elevational view of a mobile asphalt pavement sealing machine showing my new design; FIG. 2 is a side elevational view of the side opposite that shown in FIG. 1; FIG. 3 is a front elevational view thereof; FIG. 4 is a rear elevational view thereof; and, FIG. 5 is a top plan view thereof.



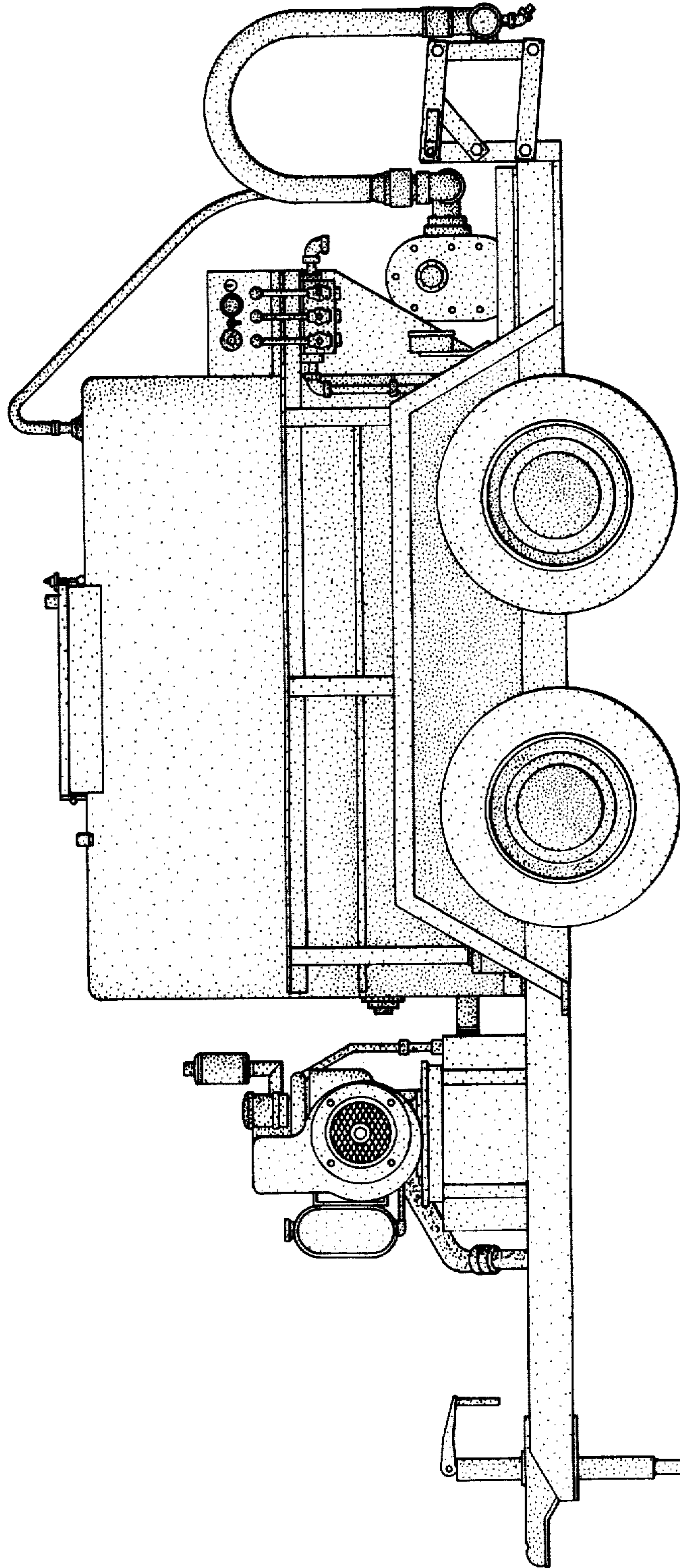


FIG. 1

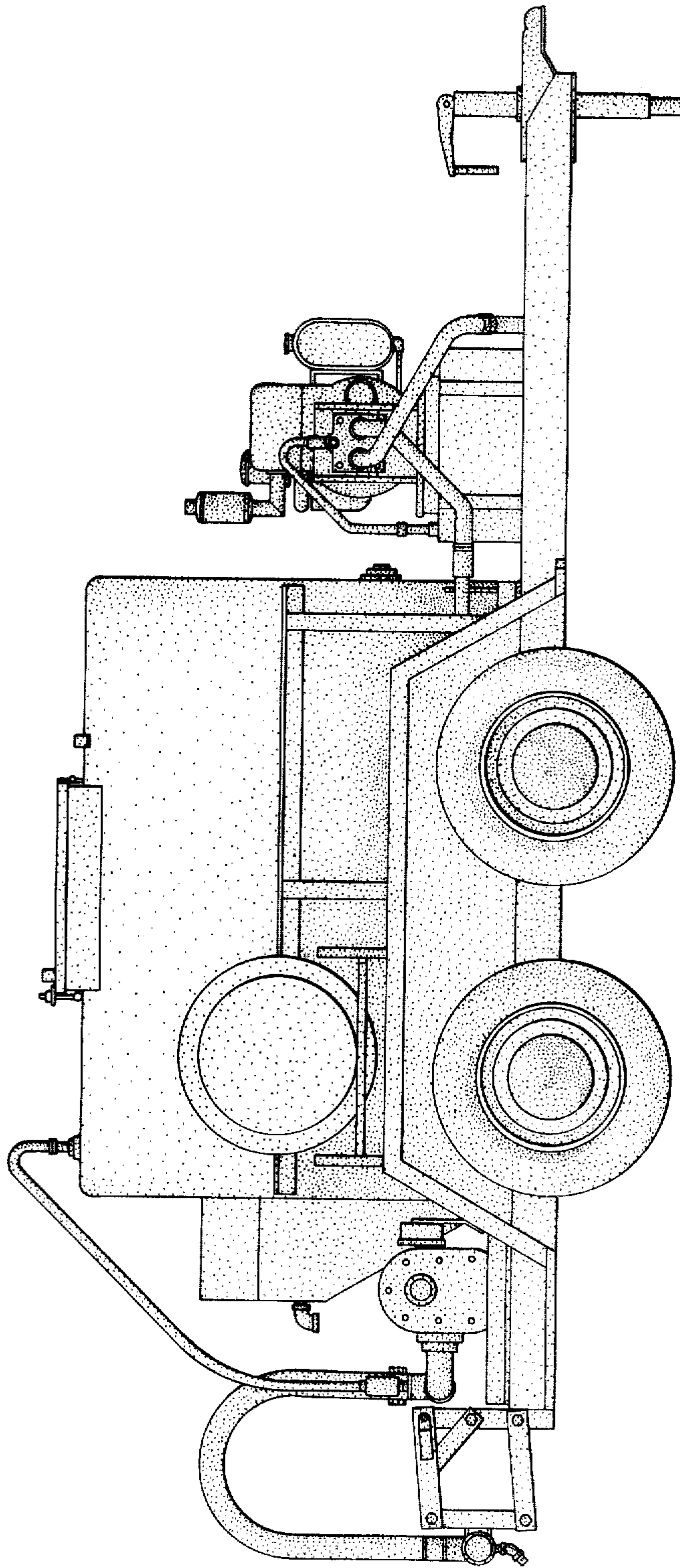


FIG. 2

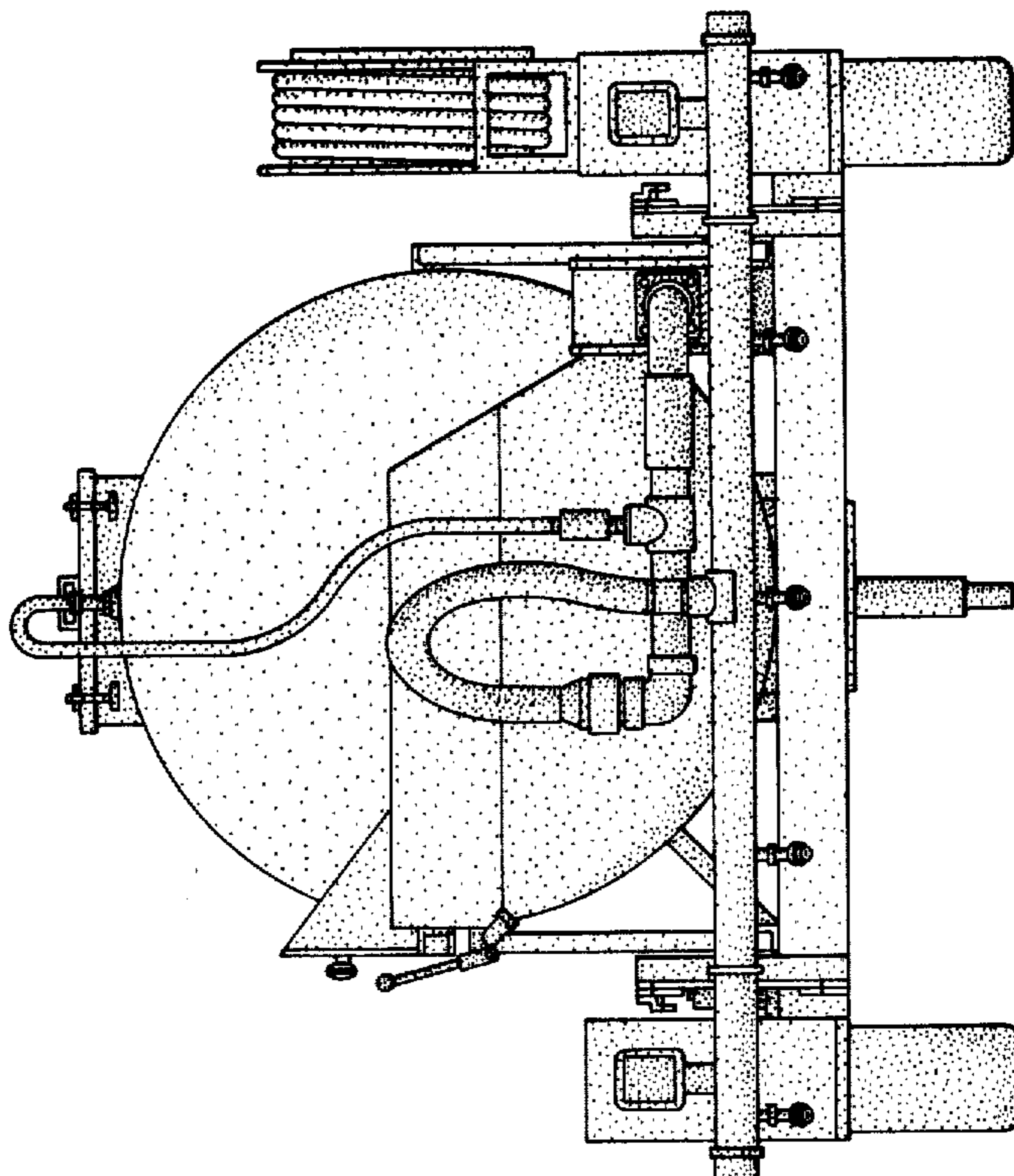


FIG. 4

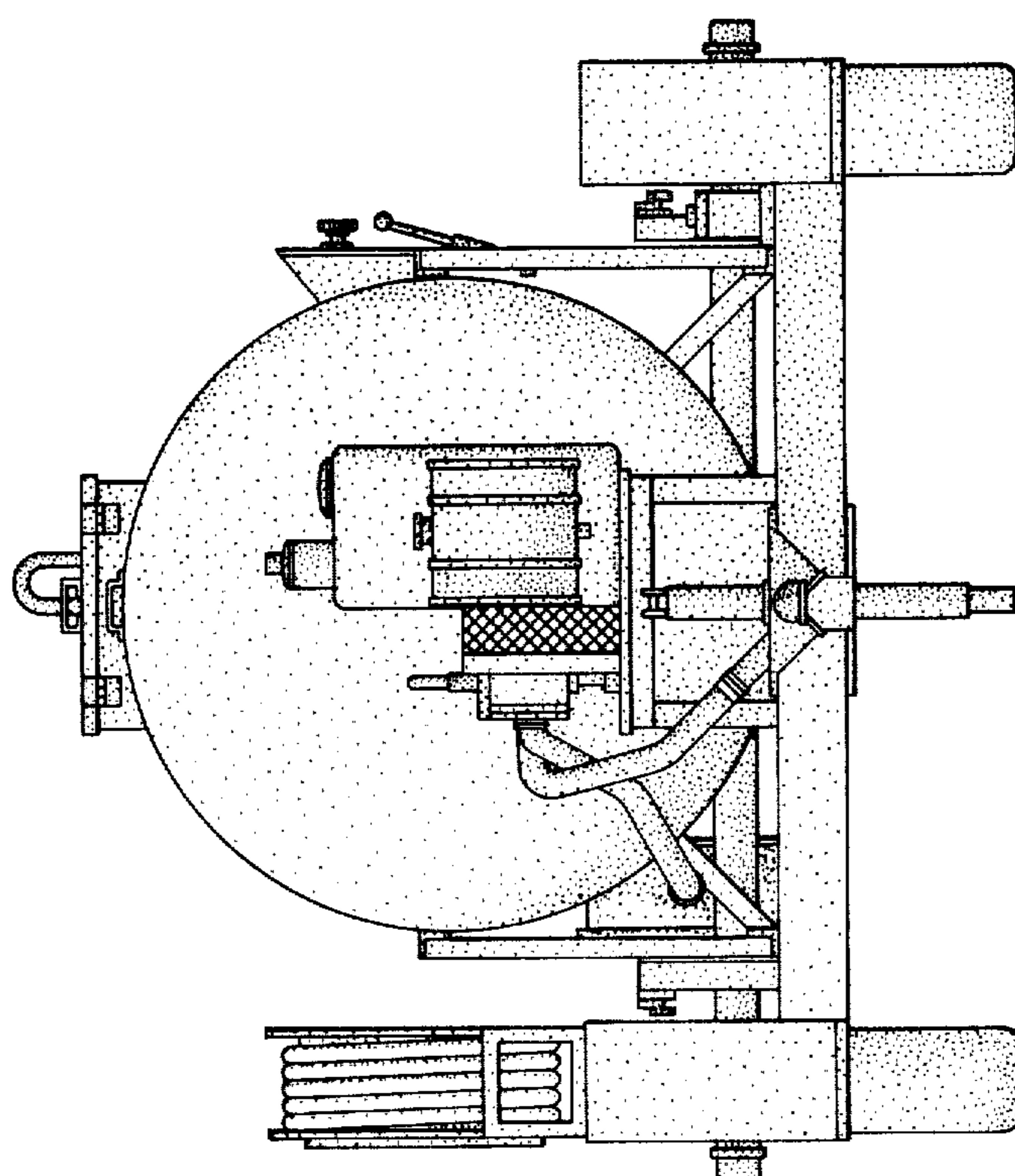


FIG. 3

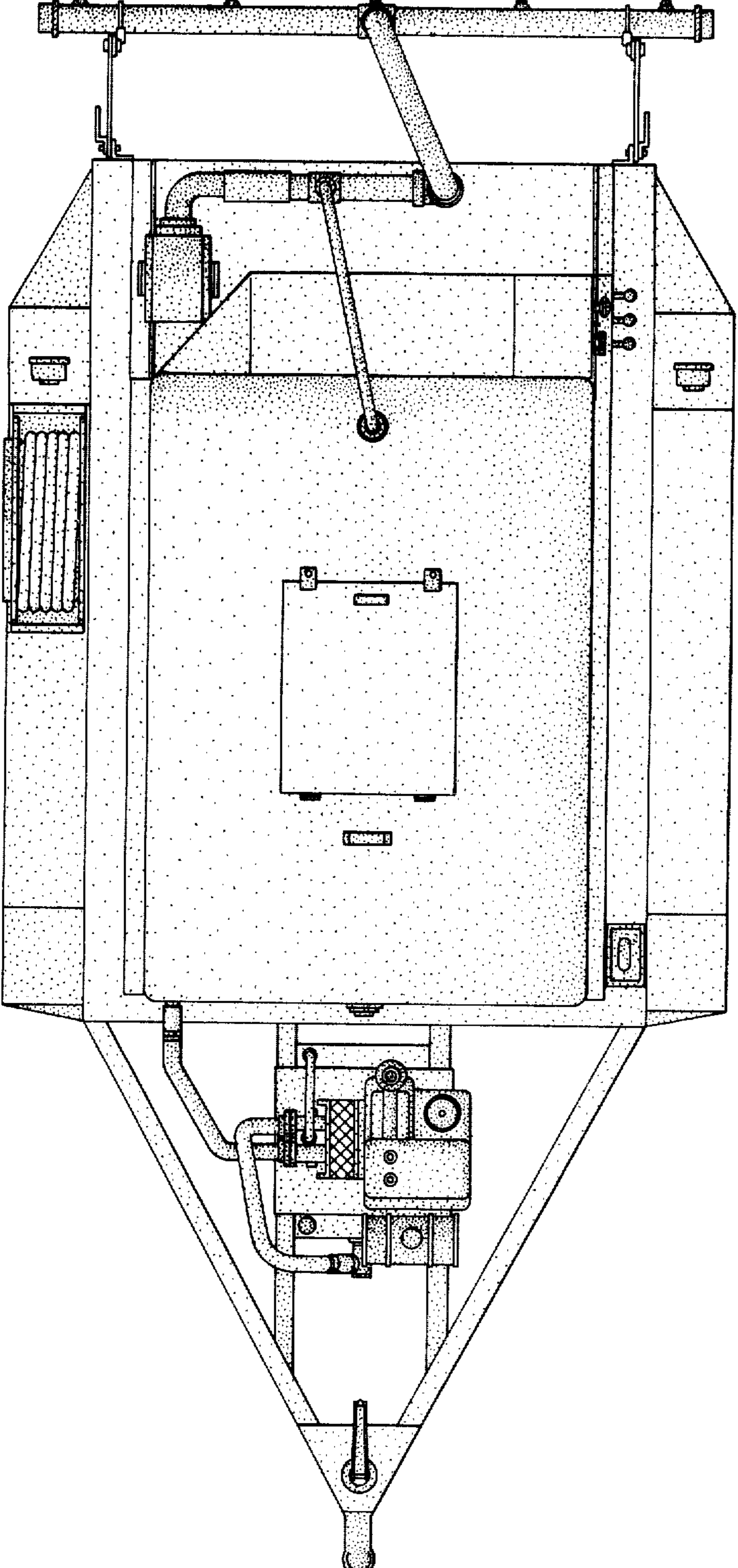


FIG. 5