

[54] TAPE CARTRIDGE

[75] Inventors: Frank Dekker, Santa Ana; Isaac R. Cherry, Mission Viejo, both of Calif.

[73] Assignee: Del Mar Avionics, Irvine, Calif.

[**] Term: 14 Years

[21] Appl. No.: 197,927

[22] Filed: Oct. 17, 1980

[51] Int. Cl. D14-01

[52] U.S. Cl. D14/11

[58] Field of Search D14/11; 206/387; 360/92, 93, 132

[56] References Cited

U.S. PATENT DOCUMENTS

- D. 206,719 1/1967 Dietrich D14/11
- D. 222,911 2/1972 Weiss et al. D14/11
- D. 258,585 3/1981 Yoshizawa D14/11

- 4,135,316 1/1979 Saito 206/387 X
- 4,304,331 12/1981 Minkow 206/387

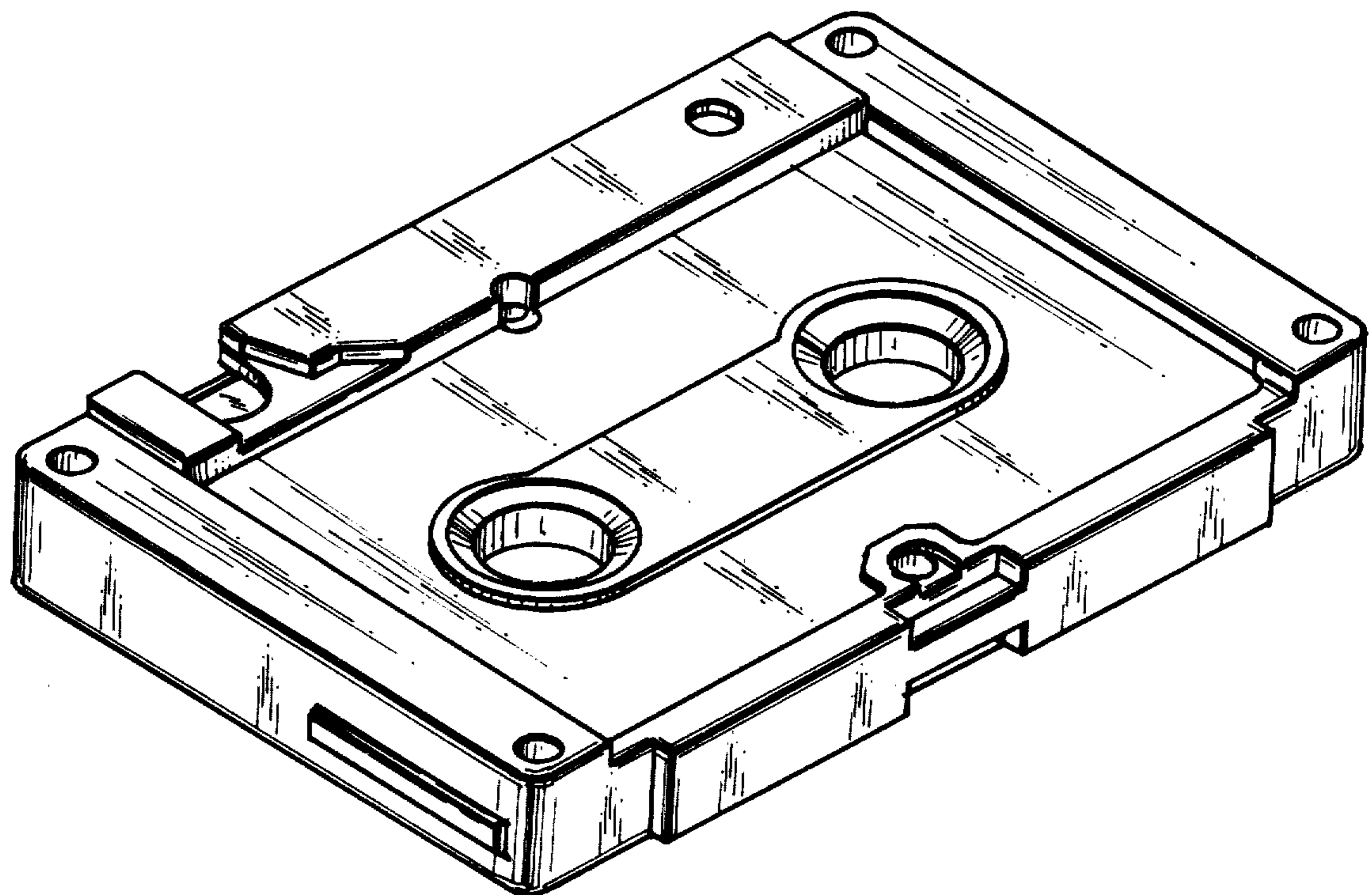
Primary Examiner—Jane E. Corrigan
Attorney, Agent, or Firm—Mario A. Martella

[57] CLAIM

The ornamental design for a tape cartridge, as shown and described.

DESCRIPTION

FIG. 1 is a front, top and left side perspective view of a tape cartridge showing our new design, with the spindle splines omitted for convenience of illustration;
 FIG. 2 is a top plan view;
 FIG. 3 is a rear, bottom and left side perspective view with said splines omitted for convenience of illustration;
 FIG. 4 is a bottom plan view;
 FIG. 5 is a front elevational view;
 FIG. 6 is a rear elevational view; and
 FIG. 7 is a right side elevational view.



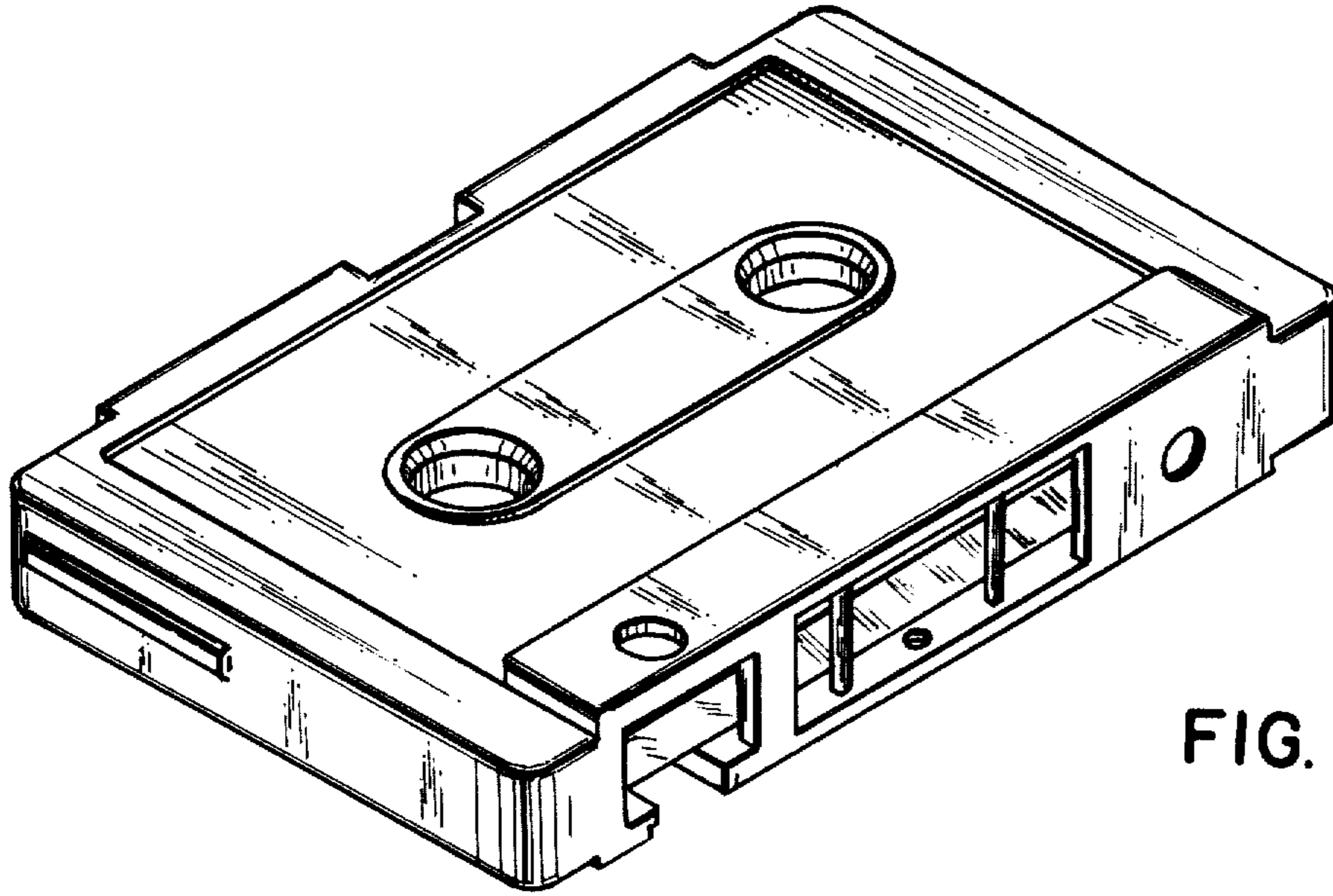


FIG. 1

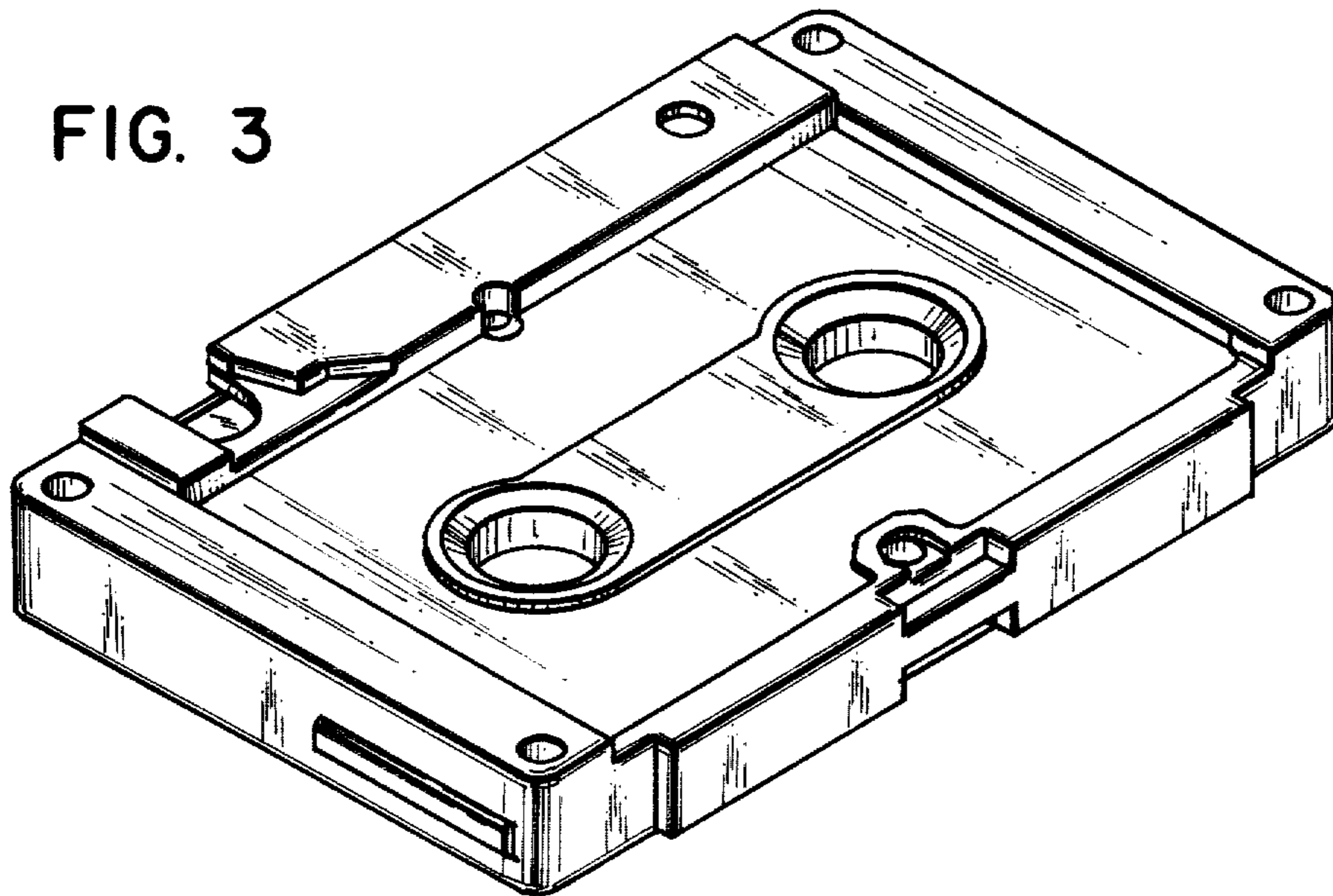


FIG. 3

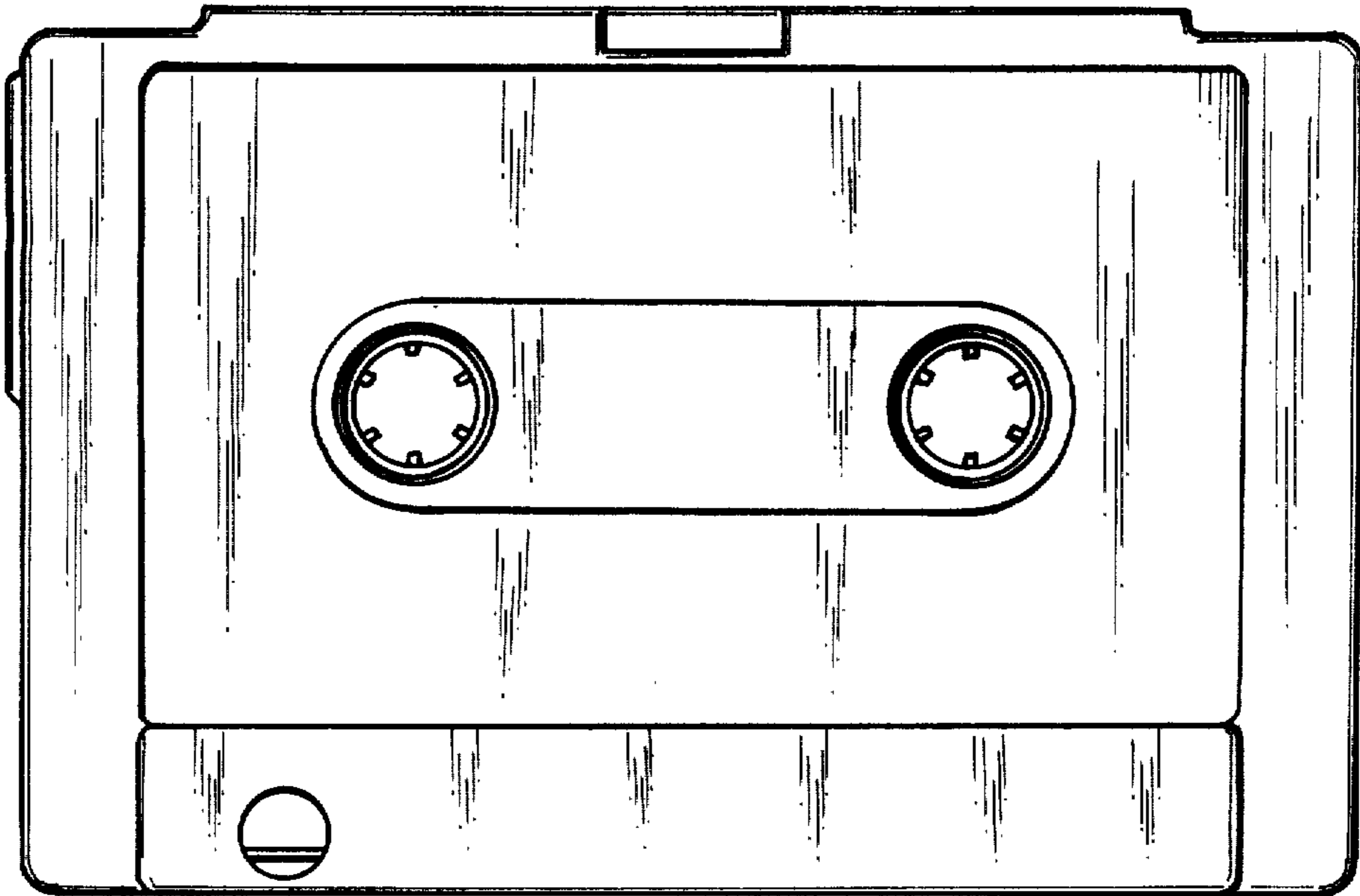


FIG. 2

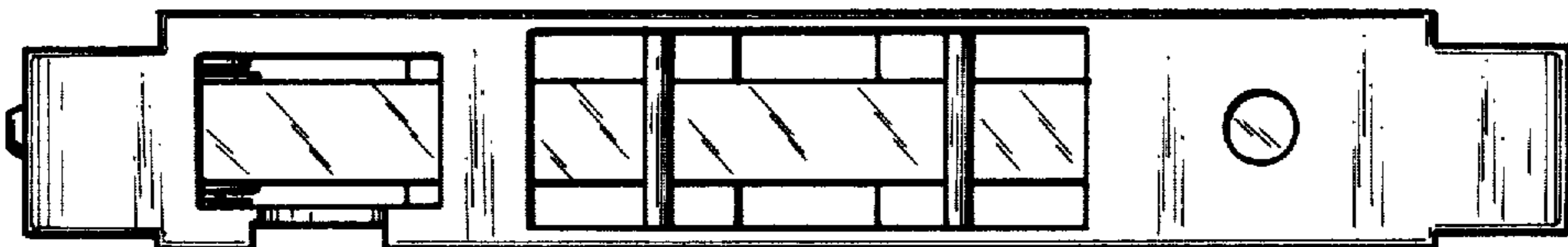
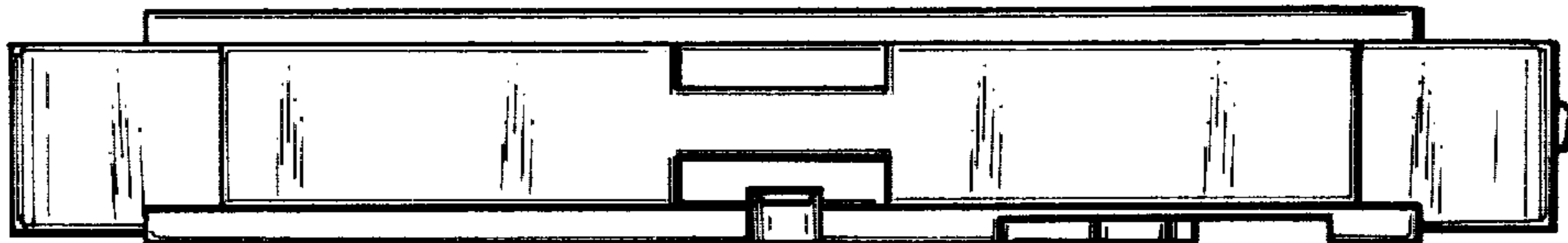


FIG. 5

FIG. 6



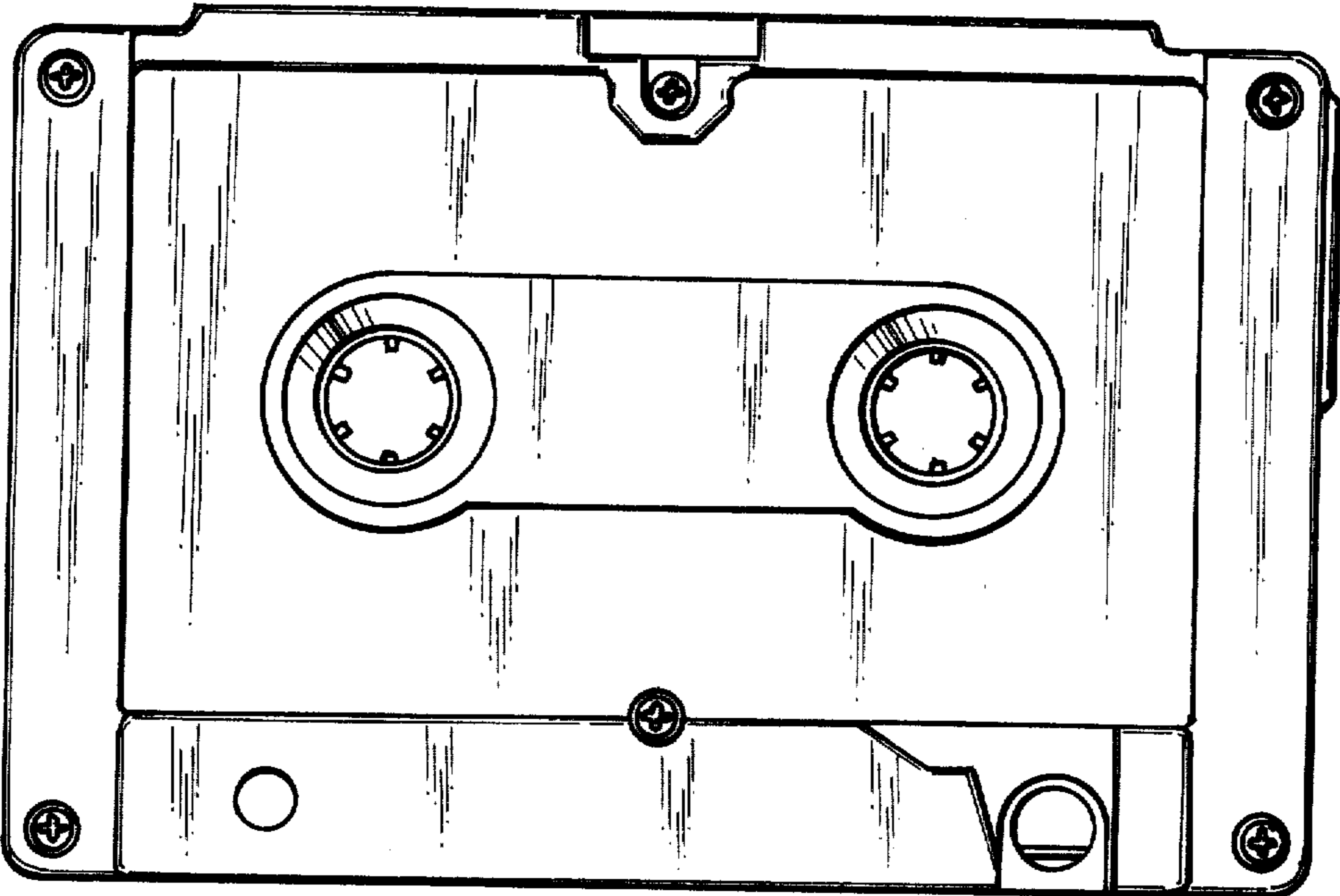


FIG. 4

FIG. 7

