

[54] DISPENSING CAP FOR A CONTAINER

[75] Inventor: Joseph Thompson, Upper Saddle River, N.J.

[73] Assignee: Sterling Drug Inc., New York, N.Y.

[**] Term: 14 Years

[21] Appl. No.: 168,141

[22] Filed: Jul. 14, 1980

[51] Int. Cl. D9-07

[52] U.S. Cl. D9/447

[58] Field of Search D9/434, 440, 447, 454, D9/366, 449, 450; 222/519-521, 565, 540; 215/307, 310, 322; 23/267; D23/3; 4/223-231

[56] References Cited

U.S. PATENT DOCUMENTS

- D. 219,776 1/1971 Jacobs D23/3
- D. 226,269 2/1973 Sarandos D23/3
- D. 259,183 5/1981 Hirtle D9/450

- D. 259,861 7/1981 Hirtle D9/450
- 2,880,077 3/1959 Floria 23/267
- 3,265,255 8/1966 Mitchell D9/366 X
- 3,365,106 1/1968 Lodding et al. D9/450 X
- 3,769,640 11/1973 Castronouo 4/228
- 3,781,926 1/1974 Levey 4/228
- 3,949,900 4/1976 Chapel 222/540
- 4,000,839 1/1977 Tecco et al. 222/540

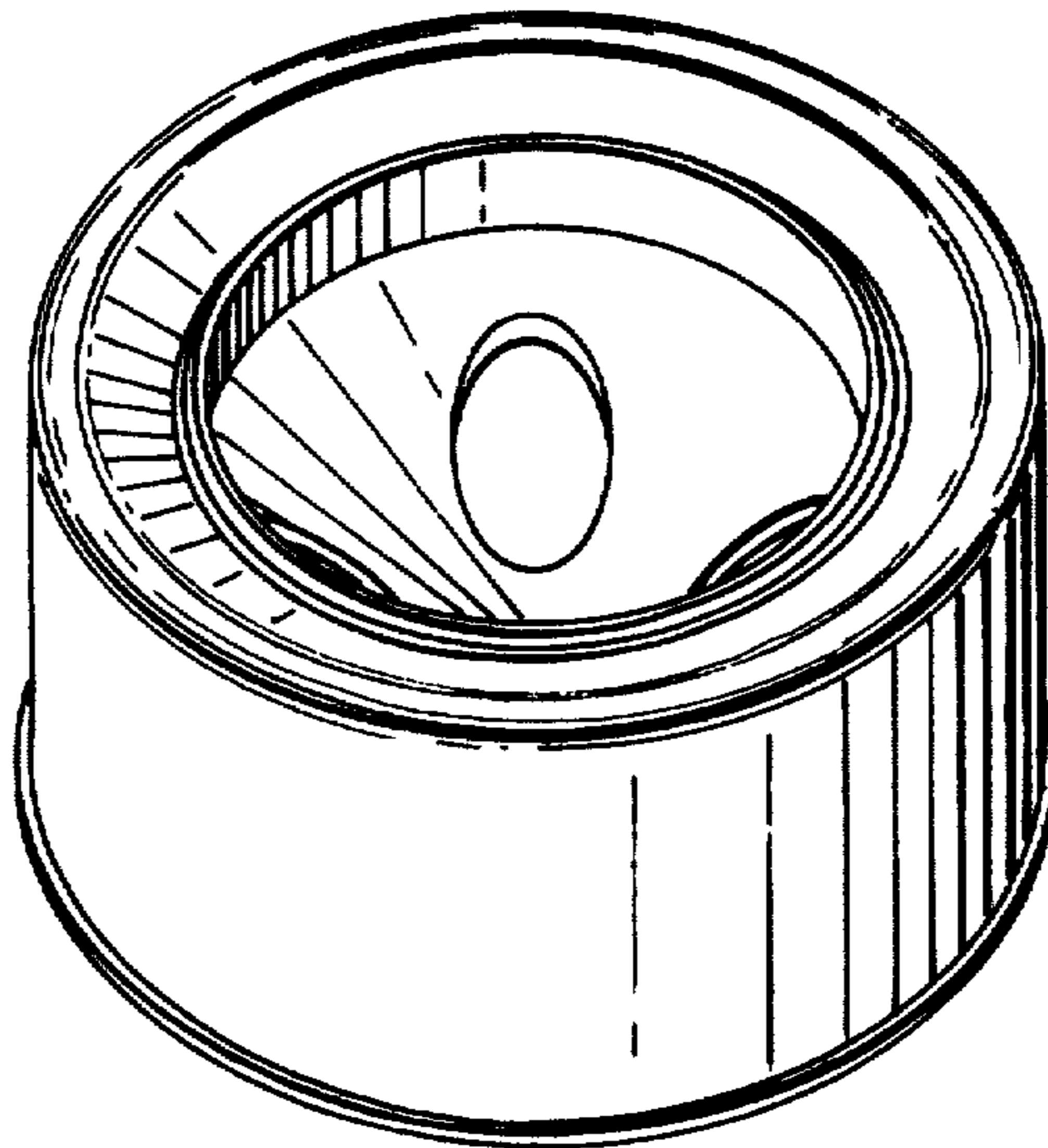
Primary Examiner—Robert C. Spangler
Attorney, Agent, or Firm—Wenderoth, Lind & Ponack

[57] CLAIM

The ornamental design for a dispensing cap for a container, as shown and described.

DESCRIPTION

FIG. 1 is a top plan view of a dispensing cap for a container showing my new design;
FIG. 2 is a bottom plan view thereof;
FIG. 3 is an elevational view, the opposite side being the same in appearance;
FIG. 4 is a top perspective view; and
FIG. 5 is a medial sectional view thereof.



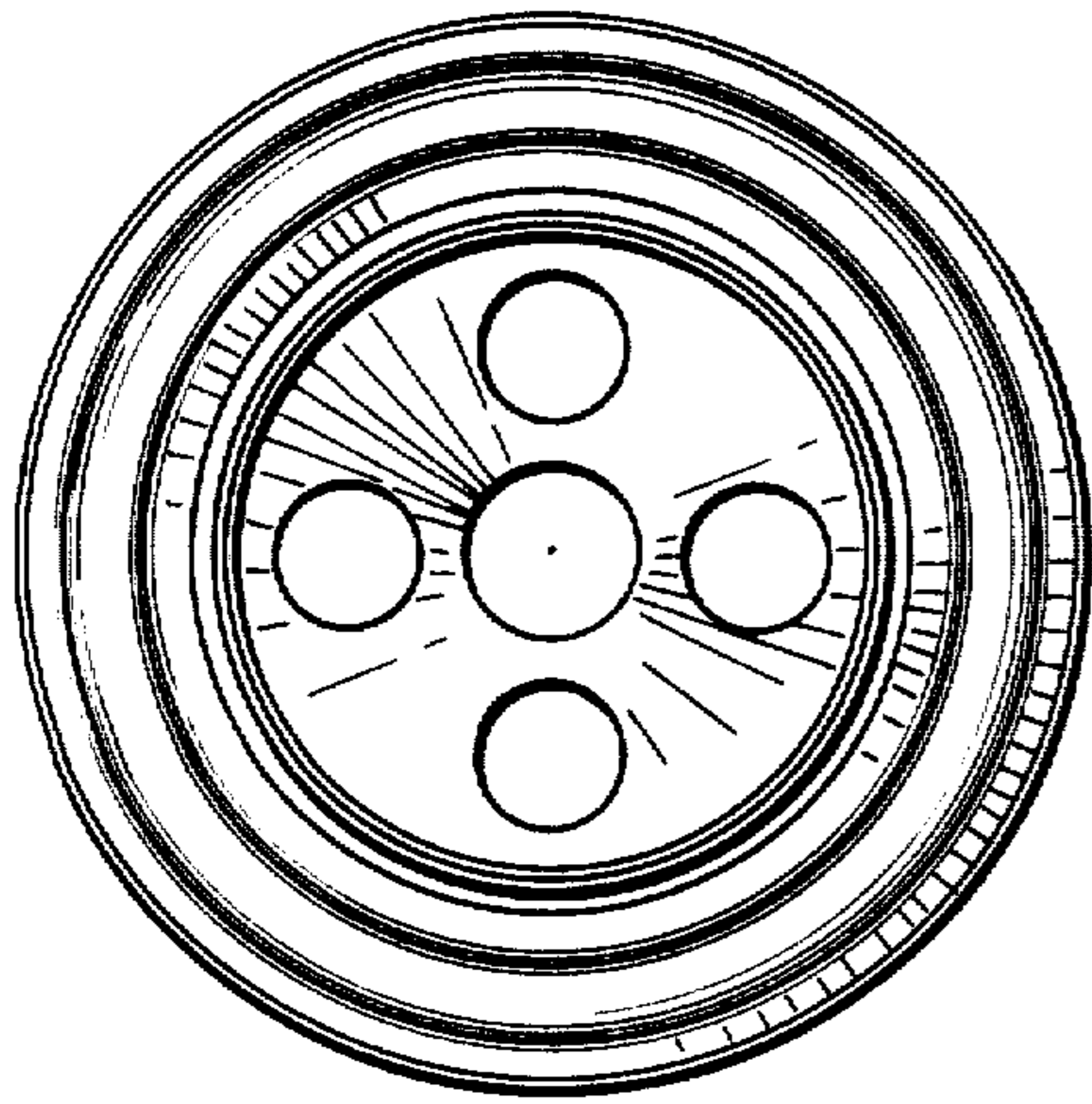


FIG. 1

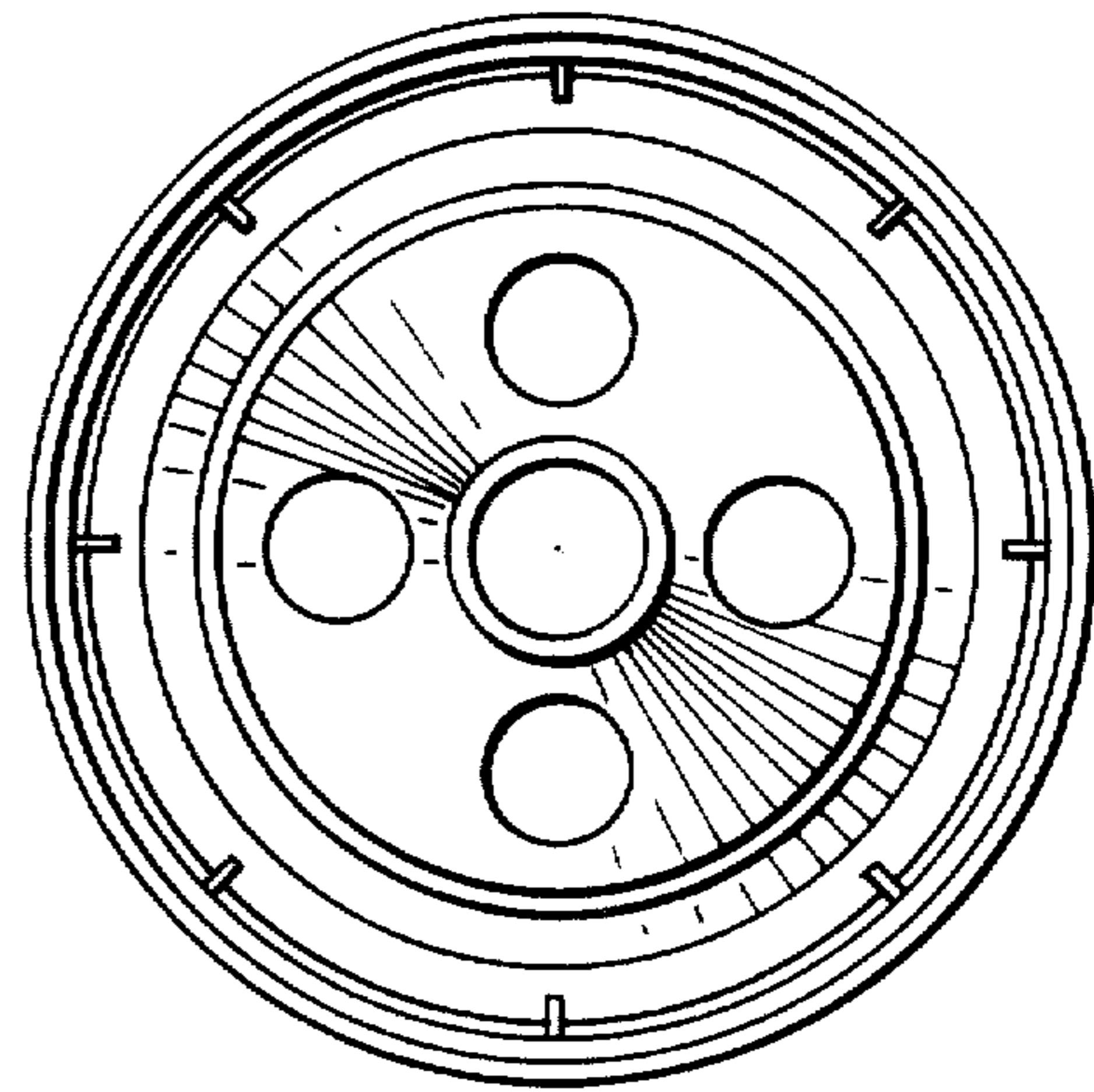


FIG. 2

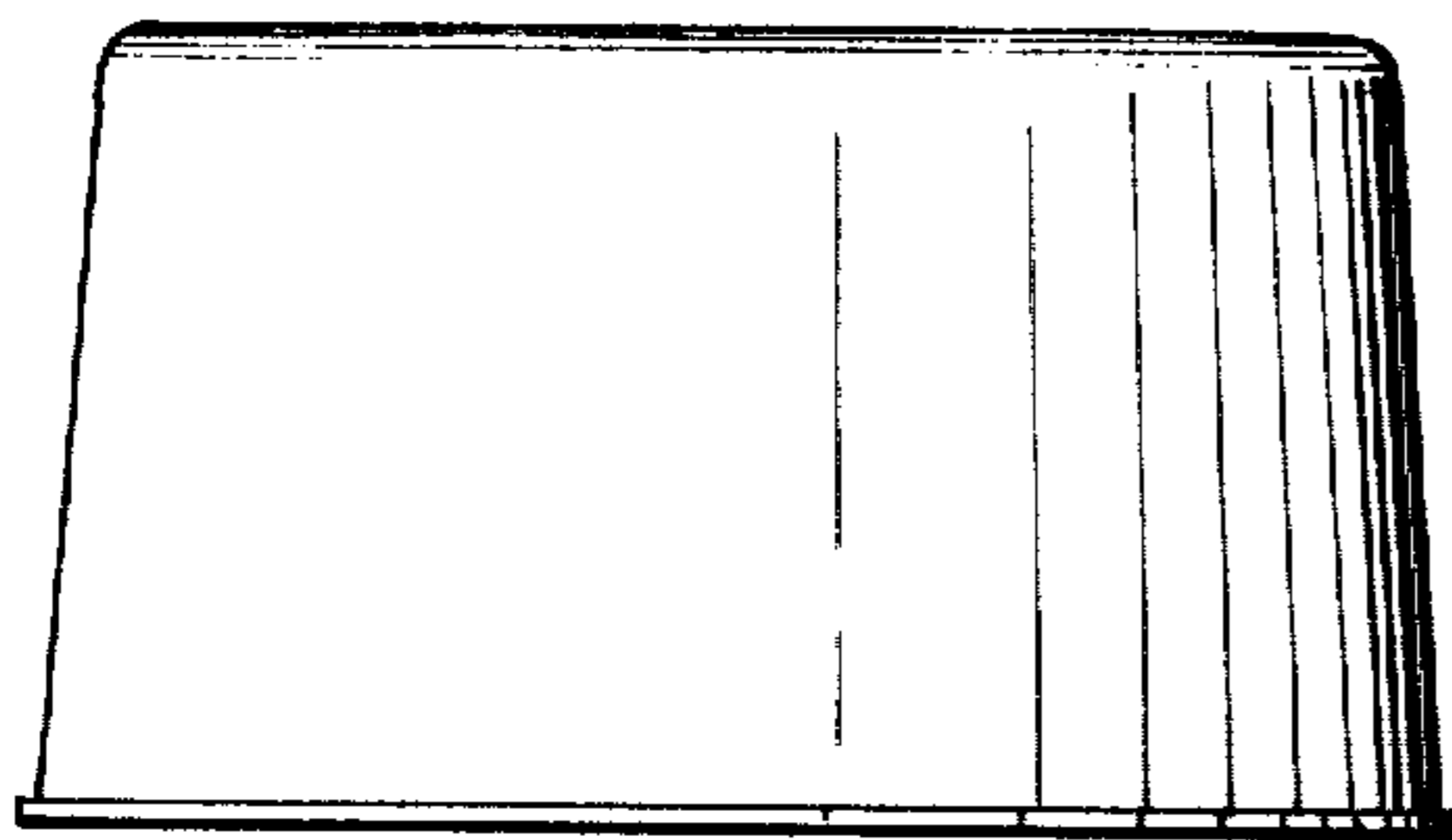


FIG. 3

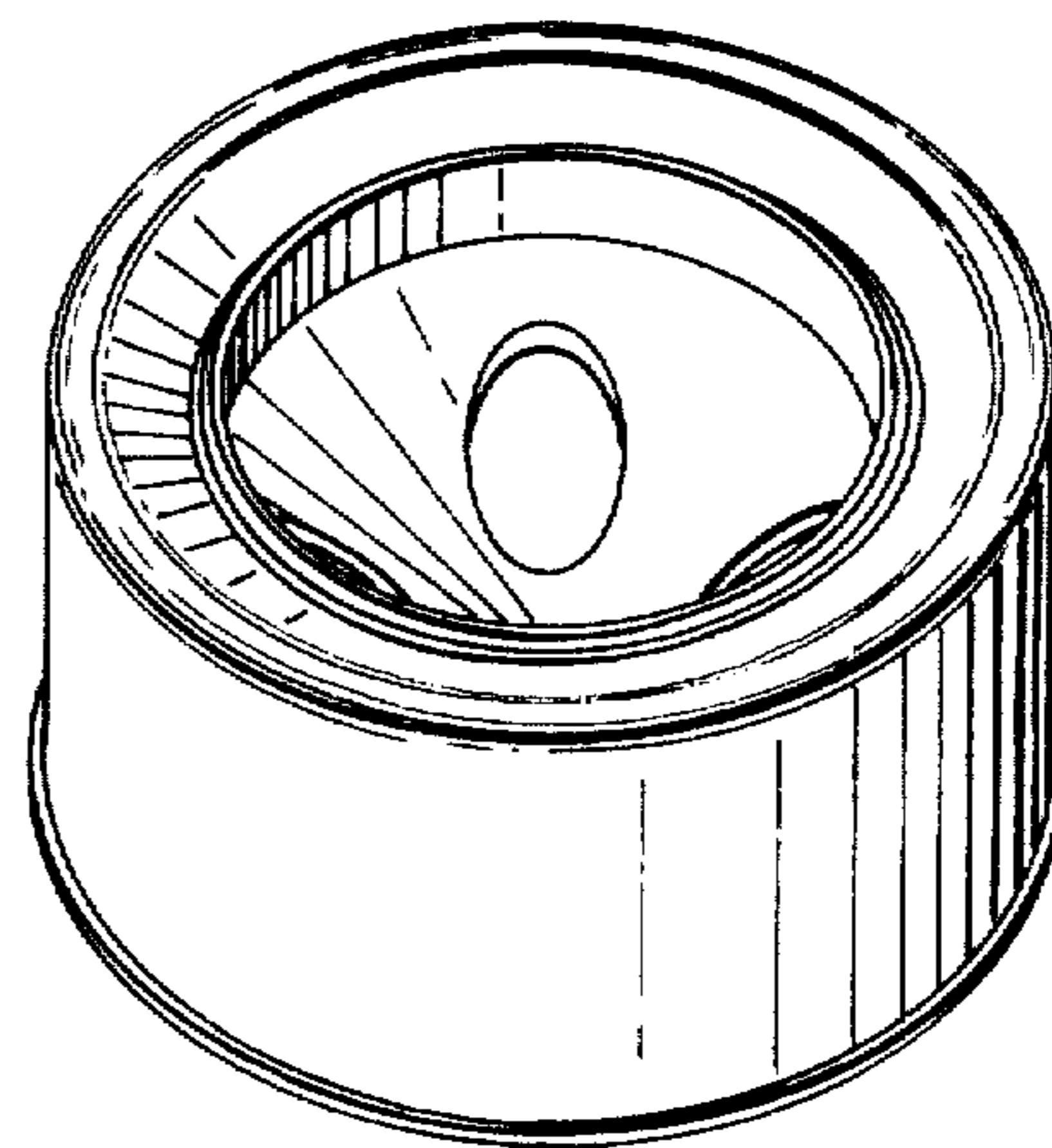


FIG. 4

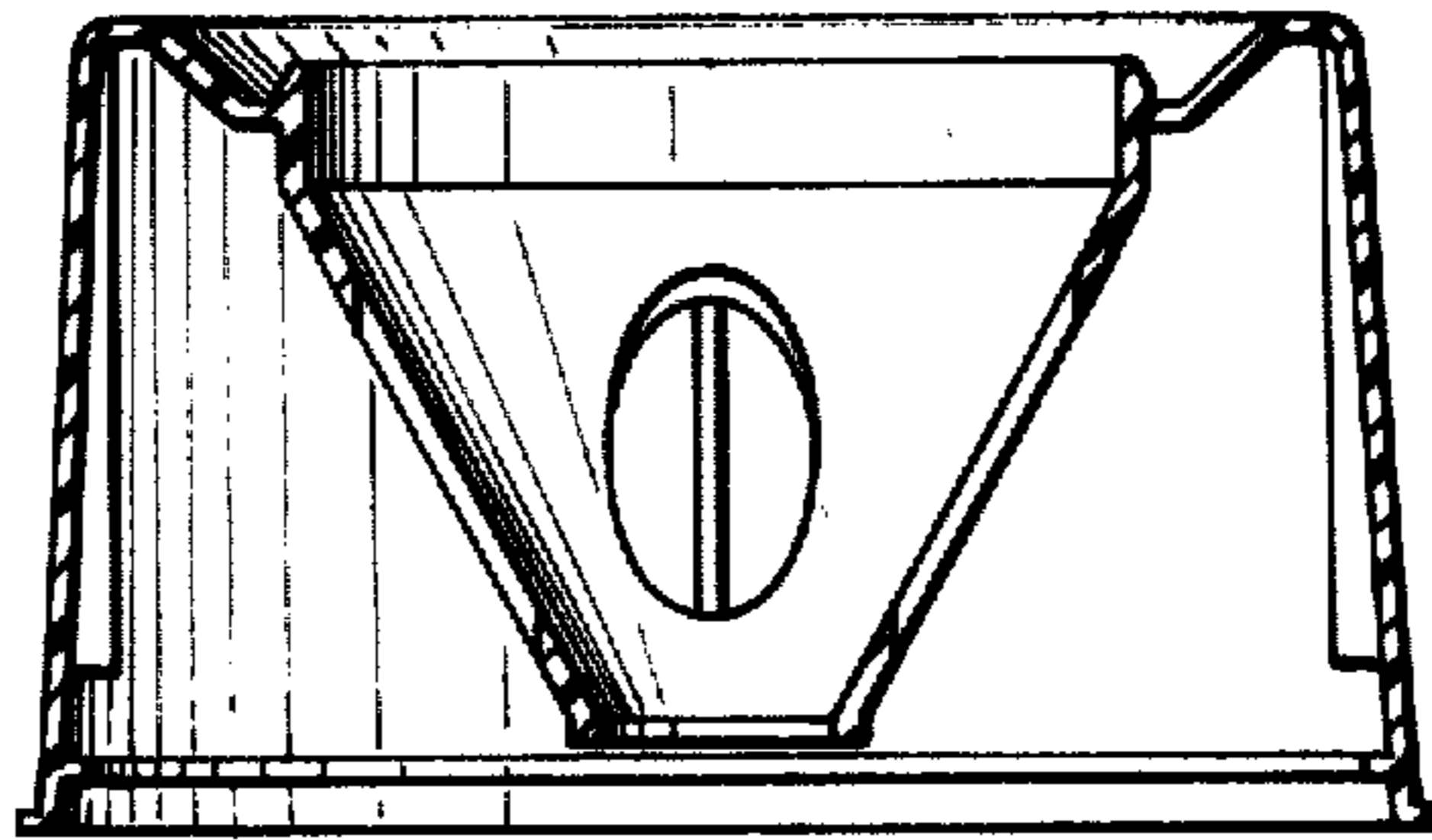


FIG. 5