

[54] **DOUGH MACHINE**

[76] Inventor: **Alfredo Cavalli**, Via Monza 97, 20060 Gessate, Milano, Italy

[**] Term: **14 Years**

[21] Appl. No.: **208,429**

[22] Filed: **Nov. 19, 1980**

[51] Int. Cl. **D07-04; D15-08**

[52] U.S. Cl. **D7/376; D7/372; D7/384**

[58] Field of Search **D7/153, 155, 156, 157, D7/158, 159, 160, 41; D15/92, 98, 99, 100; 425/205**

[56] **References Cited**

U.S. PATENT DOCUMENTS

D. 108,965	3/1938	Schuhmann	D15/100
D. 109,972	6/1938	Anderson et al.	D15/98
D. 118,154	12/1939	Blazey	D15/98
D. 157,465	2/1950	Biro	D7/155
D. 209,922	1/1968	Golding	D15/98
4,219,318	8/1980	Cavalli	425/205 X

OTHER PUBLICATIONS

HFD-Retailing Home Furnishings, Sec. One, Mon. Dec.

3, 1979, p. 28, Mr. Coffee's "Pasta-Matic Spaghetti Machine".

HFD-Retailing Home Furnishings, Sec. One, May 26, 1980, p. 31, Pasta Machines shown, "SIMAC" Unit in center panel.

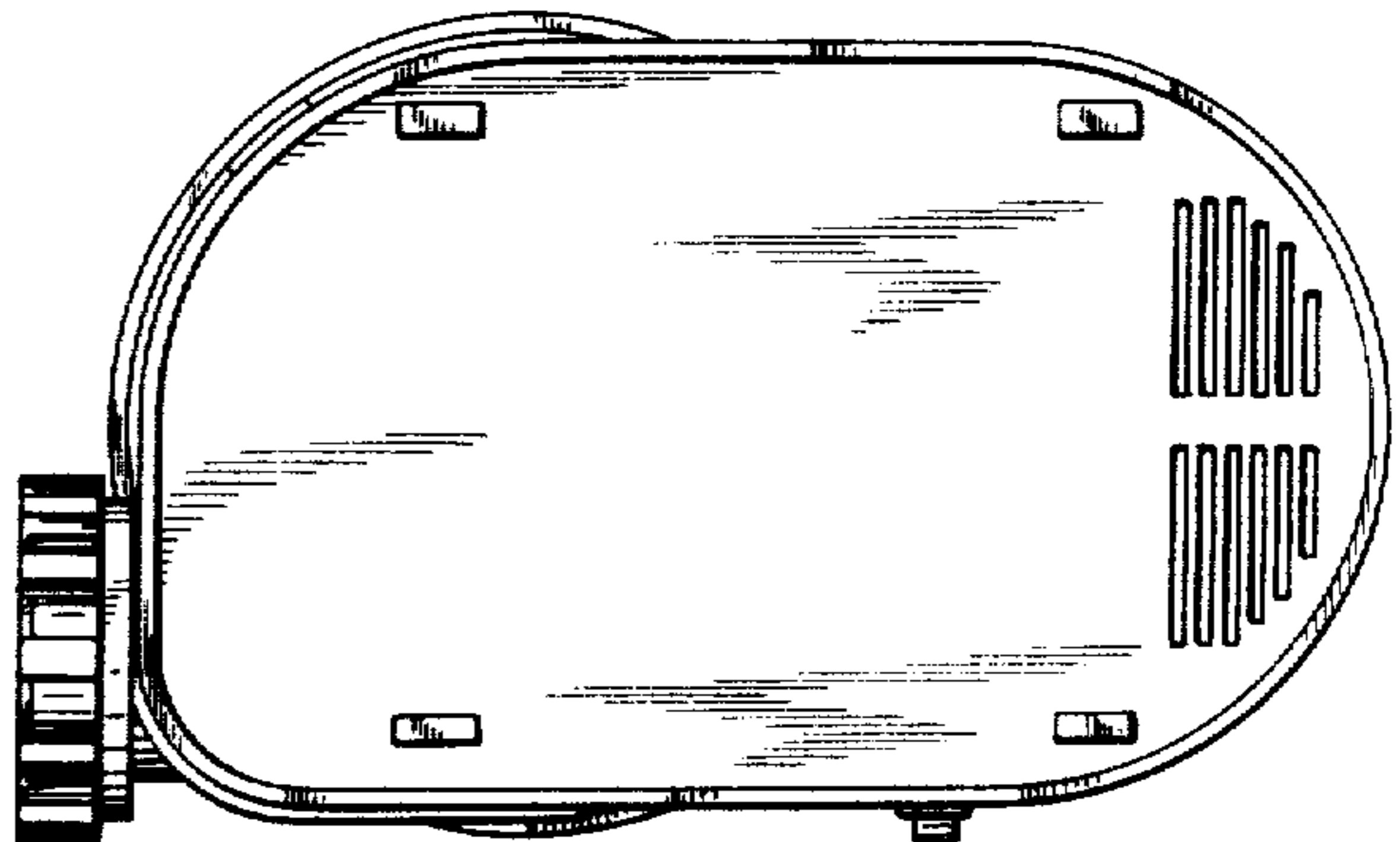
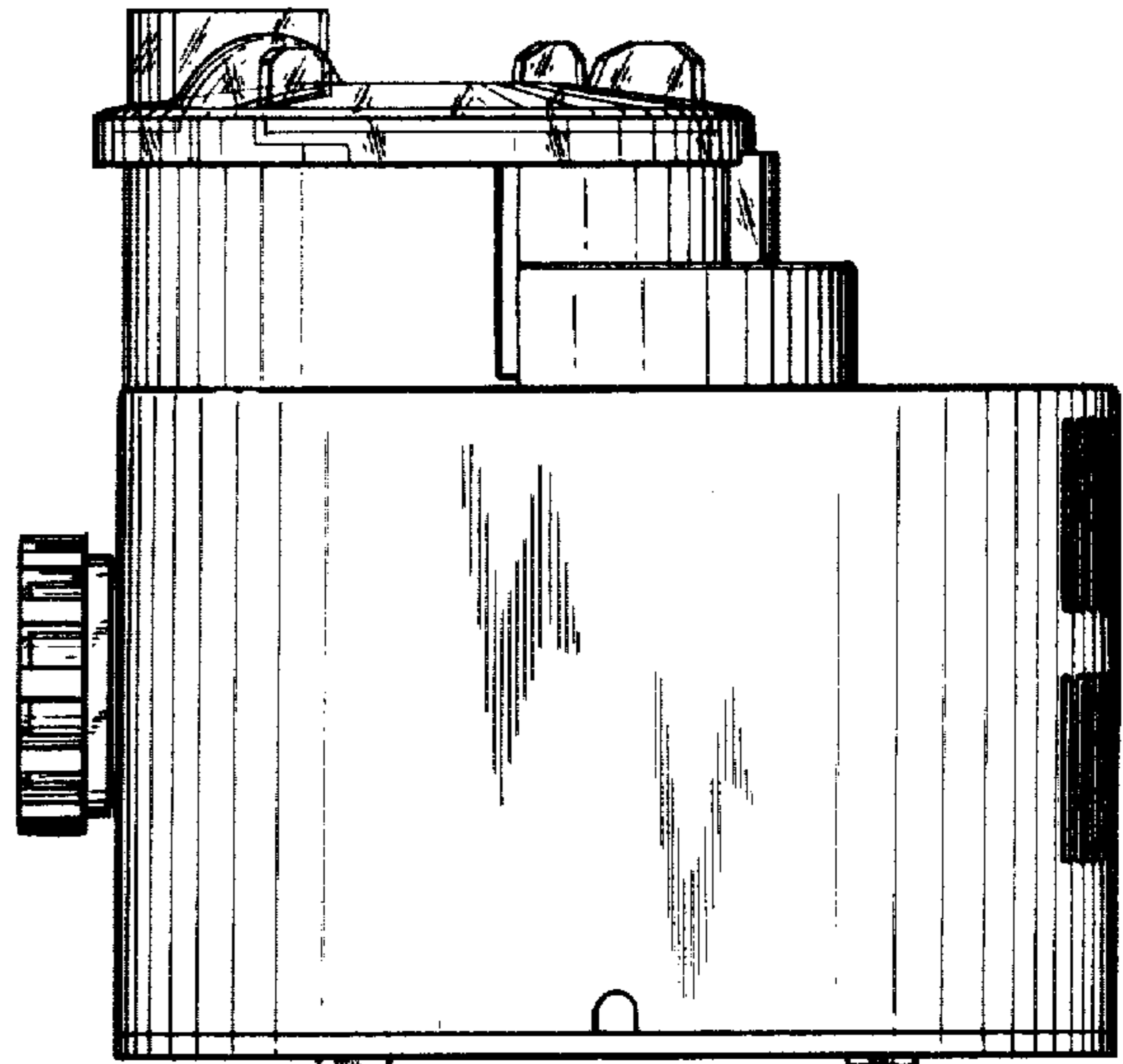
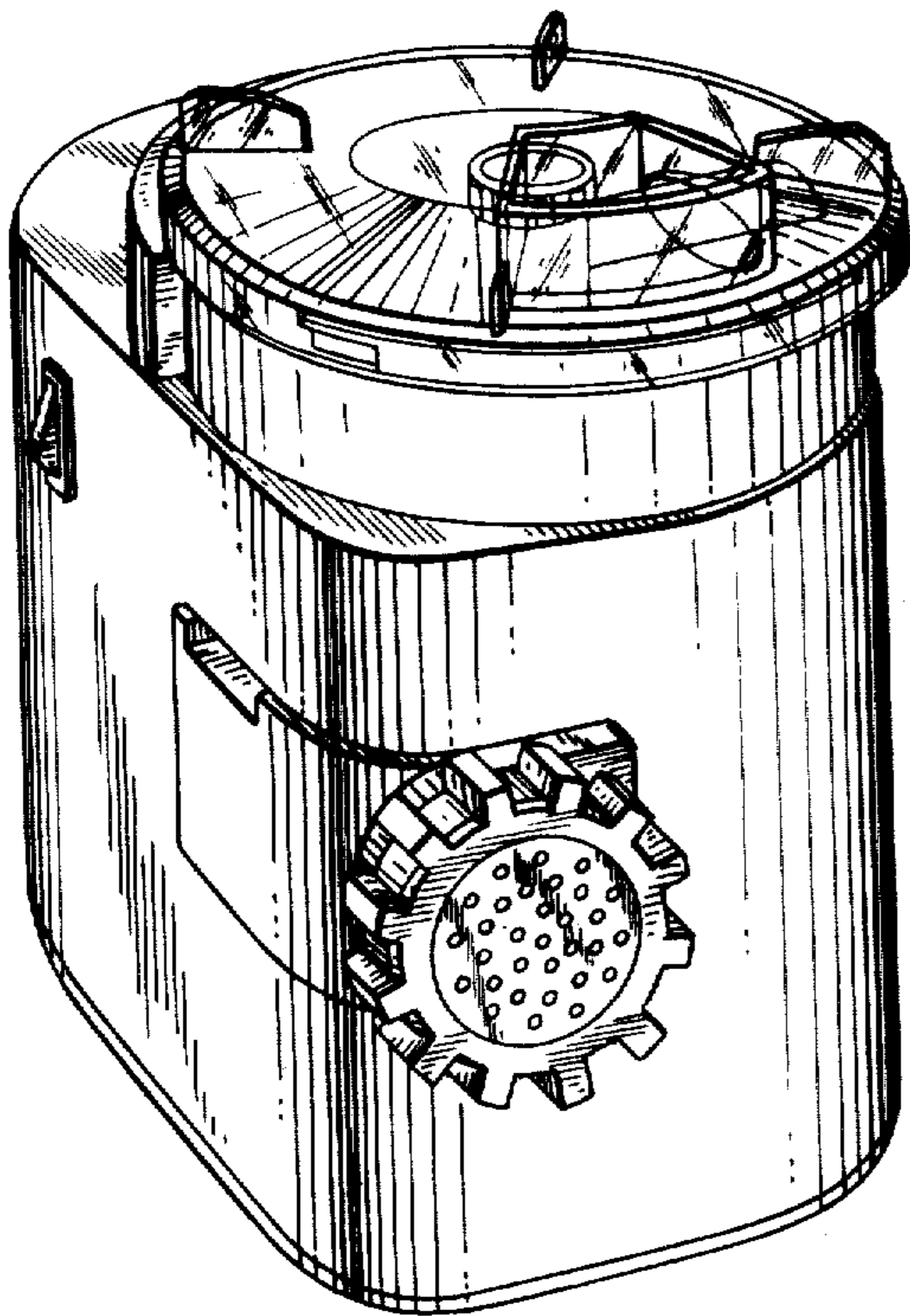
Primary Examiner—Winifred E. Herrmann
Attorney, Agent, or Firm—Hubbell, Cohen, Stiefel & Gross

[57] **CLAIM**

The ornamental design for a dough machine, as shown and described.

DESCRIPTION

FIG. 1 is a top, front and side perspective view of a dough machine embodying my new design; FIG. 2 is a top plan view of the dough machine of FIG. 1; FIG. 3 is a front elevational view of the dough machine of FIG. 1; FIG. 4 is a rear elevational view of the dough machine of FIG. 1; FIG. 5 is a side elevational view of the dough machine of FIG. 1 from the opposite side of that shown in FIG. 1; and FIG. 6 is a bottom plan view of the dough machine of FIG. 1.



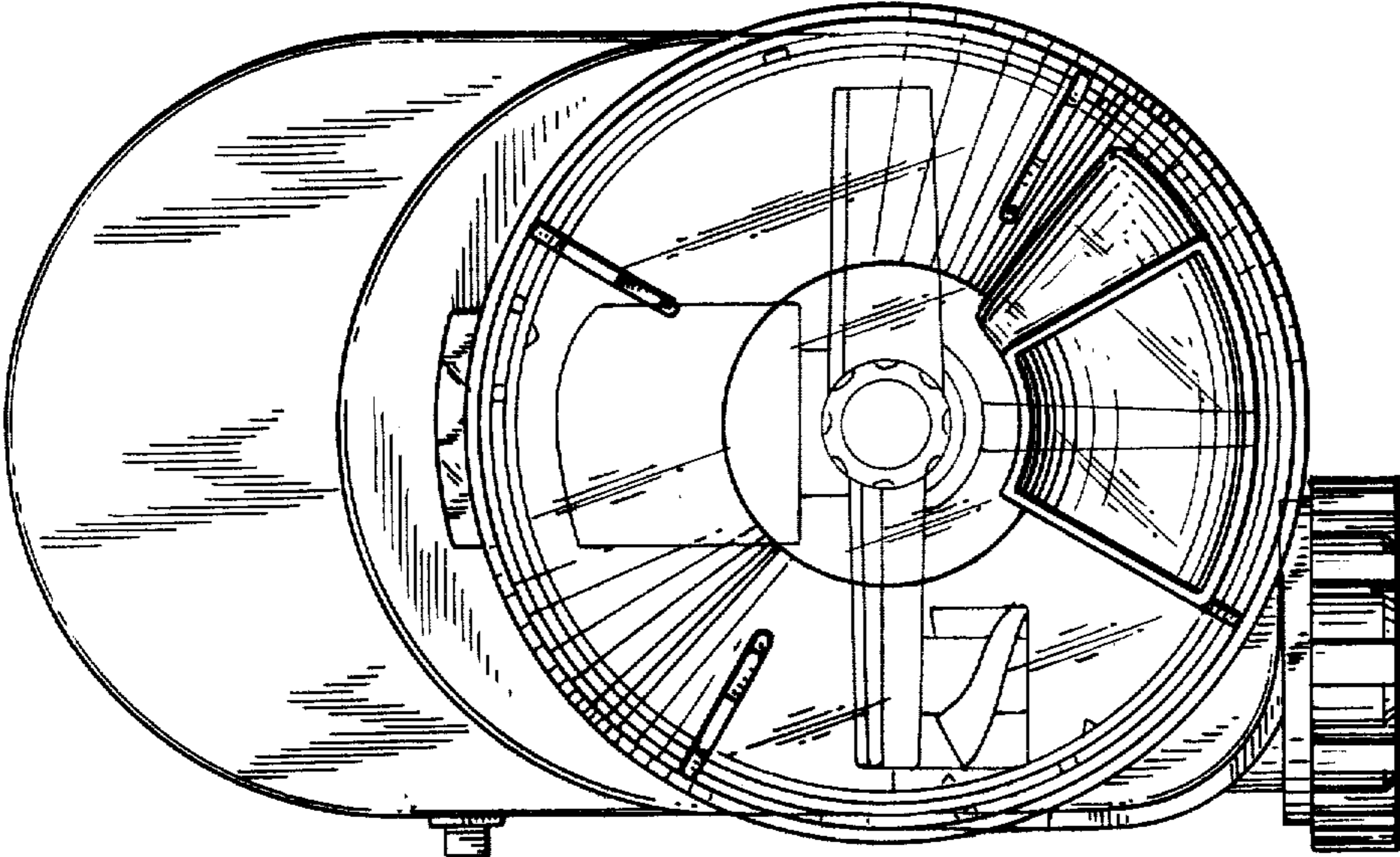


FIG. 2

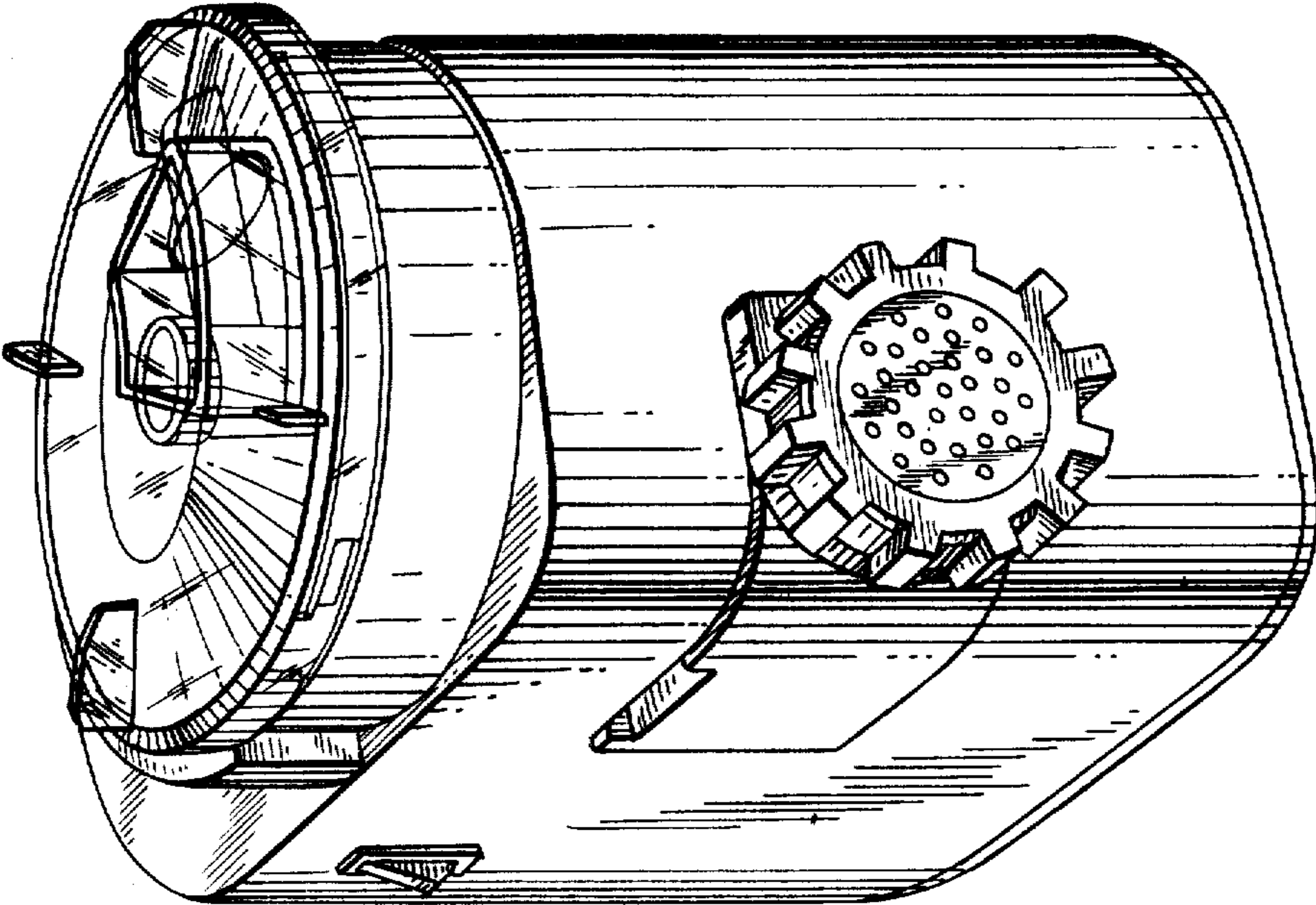


FIG. 1

FIG. 4

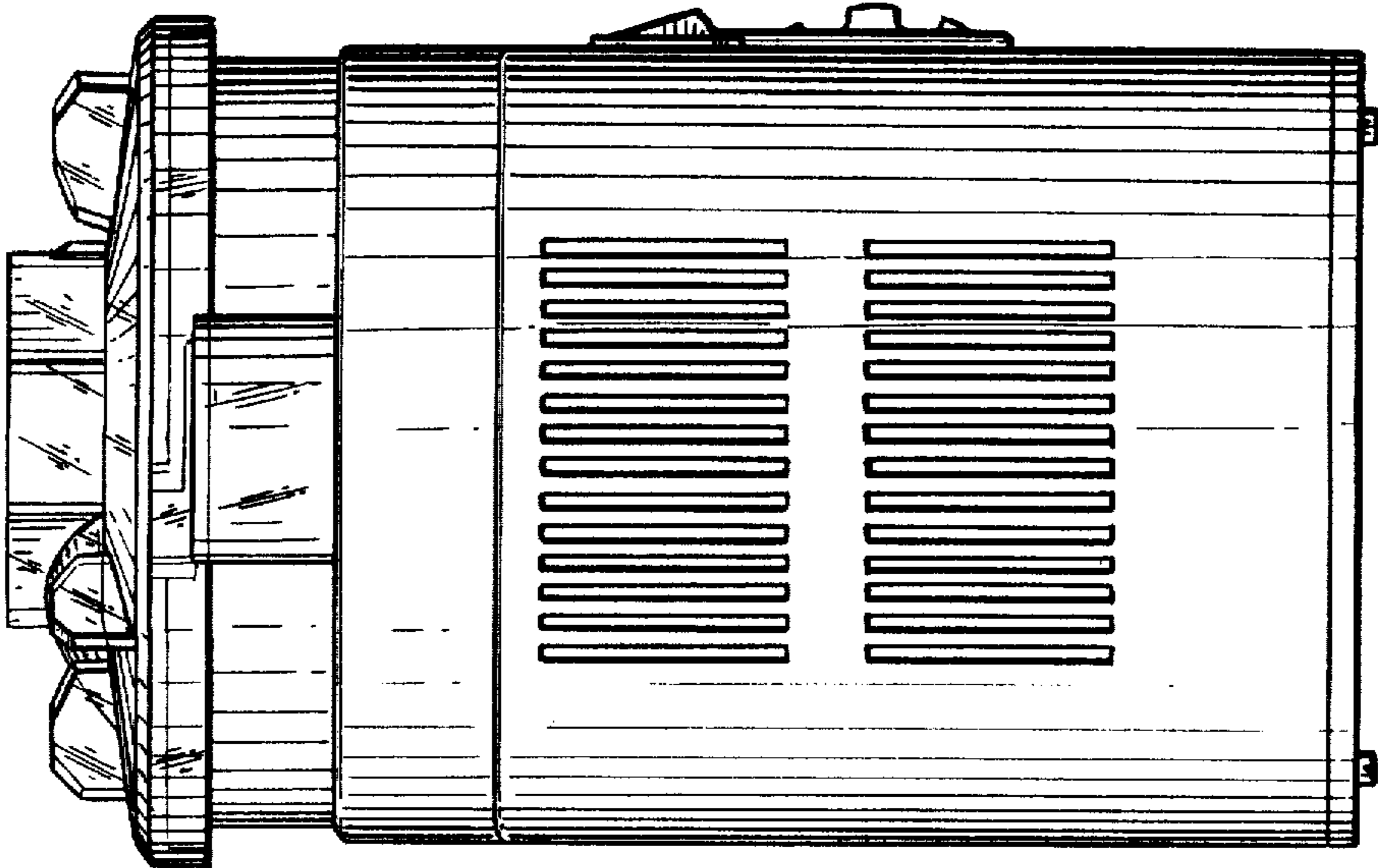


FIG. 3

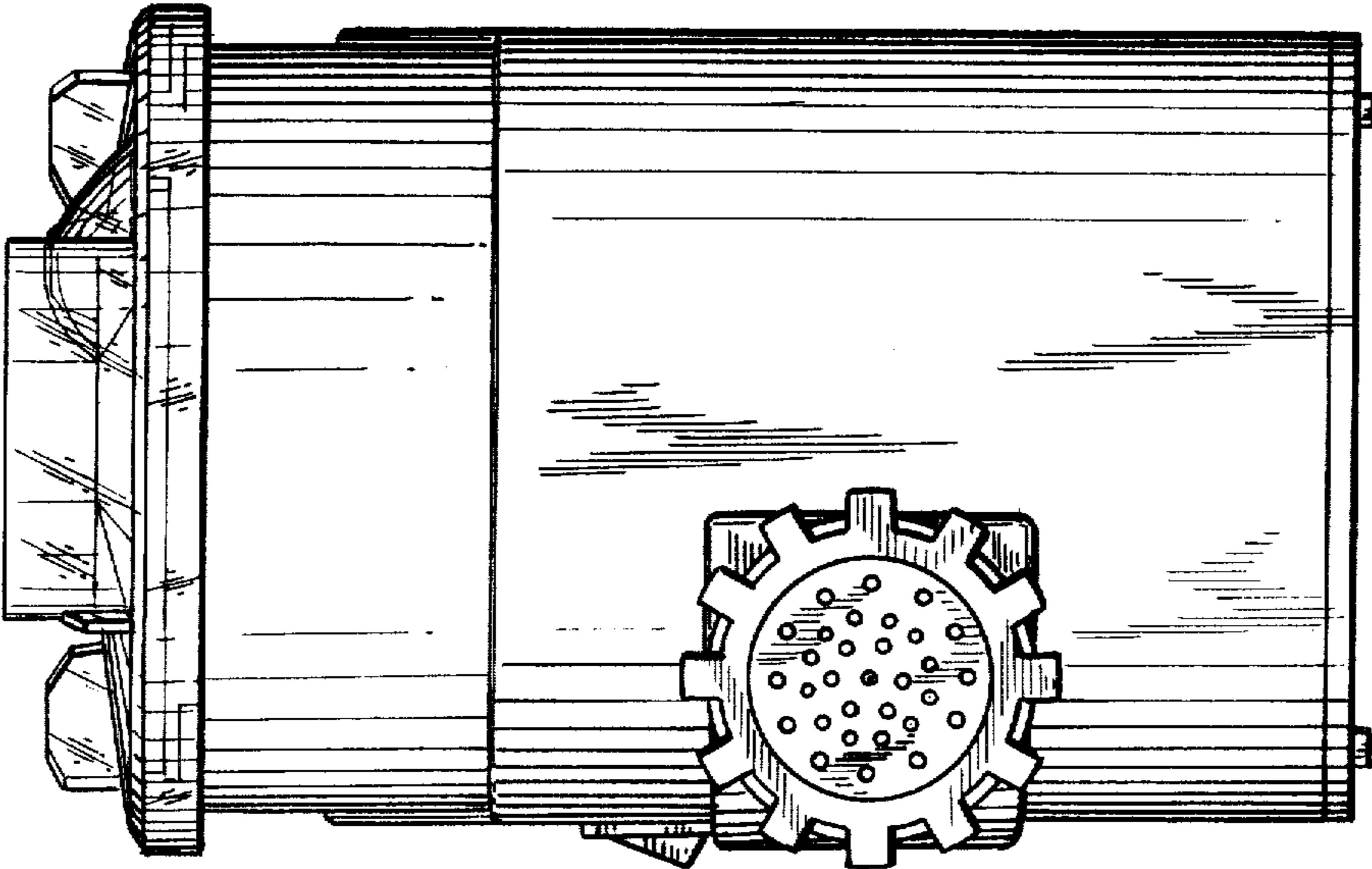


FIG. 5

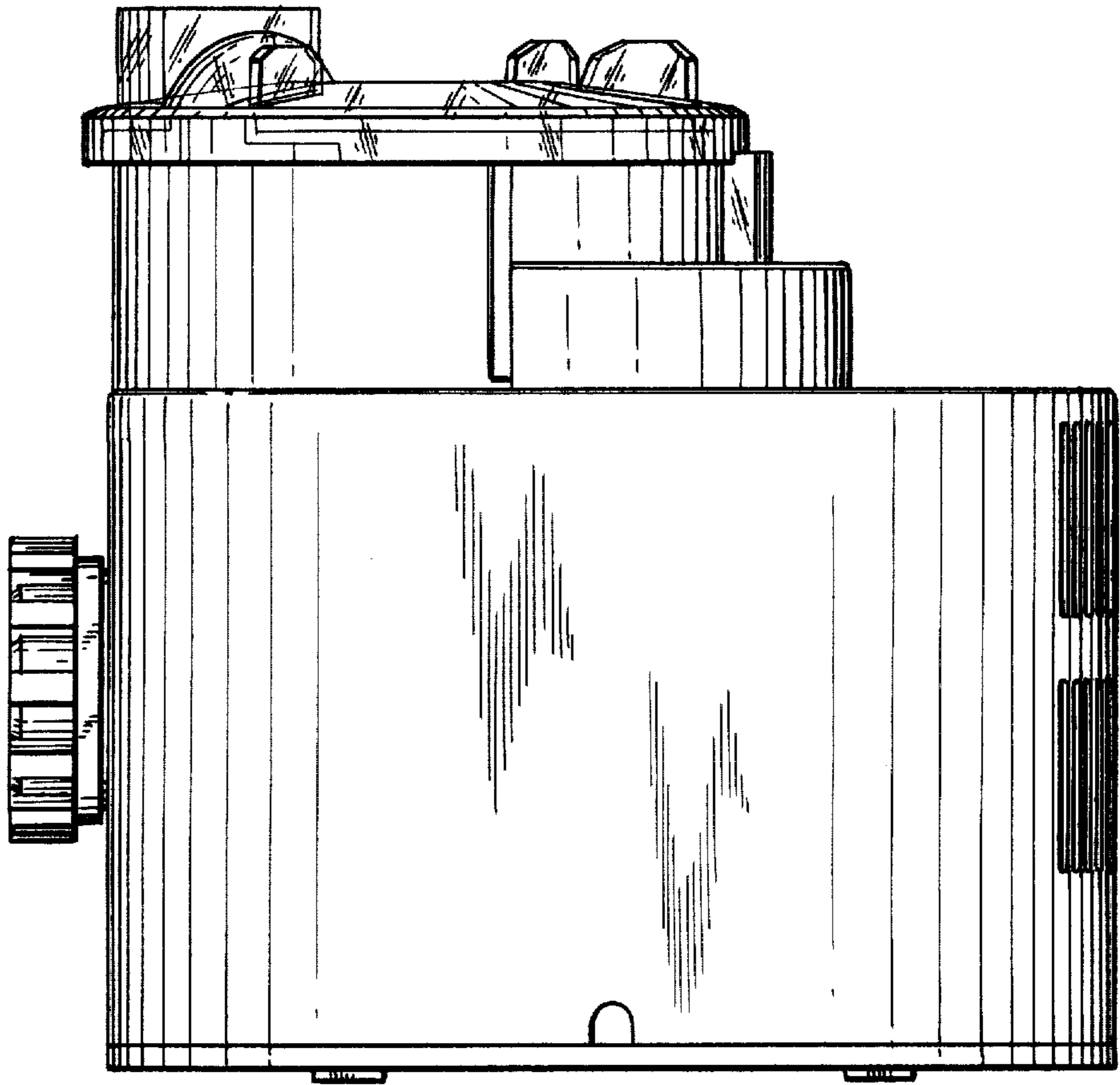


FIG. 6

