

[54] **COOKING APPLIANCE**
 [76] Inventor: **Karl Fischer**, Am Gaensberg 8, 7519 Oberderdingen, Fed. Rep. of Germany
 [**] Term: **14 Years**
 [21] Appl. No.: **913,992**
 [22] Filed: **Jun. 9, 1978**
 [30] **Foreign Application Priority Data**

Dec. 14, 1977 [DE] Fed. Rep. of Germany MR11/85 Br

[51] Int. Cl. **D7-02**
 [52] U.S. Cl. **D7/346**
 [58] Field of Search 219/443, 445, 446, 447; 126/211, 214 A; D7/121-126

[56] **References Cited**

U.S. PATENT DOCUMENTS

D. 184,606 3/1959 Cramer et al. D15/113
 D. 190,066 4/1961 Kamin D7/121
 D. 249,863 10/1978 Fischer D7/121
 2,664,492 12/1953 Fischer 126/211
 3,194,945 7/1965 Barnett 126/214 A
 3,300,621 1/1967 Fischer 219/458

FOREIGN PATENT DOCUMENTS

82791 4/1957 Denmark 219/457
 99599 8/1964 Denmark 219/457
 1250025 9/1947 Fed. Rep. of Germany .
 904672 7/1949 Fed. Rep. of Germany 219/457
 1726413 6/1956 Fed. Rep. of Germany .
 1004756 3/1957 Fed. Rep. of Germany 219/457
 1021967 6/1958 Fed. Rep. of Germany .
 1774264 9/1958 Fed. Rep. of Germany .
 1786955 4/1959 Fed. Rep. of Germany .
 1849432 4/1962 Fed. Rep. of Germany .
 1130574 5/1962 Fed. Rep. of Germany 219/457
 1127007 10/1962 Fed. Rep. of Germany .
 1165175 9/1964 Fed. Rep. of Germany .
 1291032 3/1969 Fed. Rep. of Germany .
 1188744 7/1969 Fed. Rep. of Germany .
 1288704 9/1969 Fed. Rep. of Germany .
 1565512 2/1970 Fed. Rep. of Germany .
 6604803 2/1970 Fed. Rep. of Germany .
 1554732 4/1970 Fed. Rep. of Germany .
 1565528 4/1970 Fed. Rep. of Germany .
 1565529 4/1970 Fed. Rep. of Germany .
 1811900 7/1970 Fed. Rep. of Germany .
 262004 1/1978 Fed. Rep. of Germany .

2735426 2/1979 Fed. Rep. of Germany .
 29232 9/1953 German Democratic Rep. 219/457
 605897 6/1960 Italy 219/457
 81889 8/1952 Norway 219/457
 84398 8/1954 Norway 219/457
 158713 9/1953 Sweden 219/457
 305675 5/1955 Switzerland 219/457

OTHER PUBLICATIONS

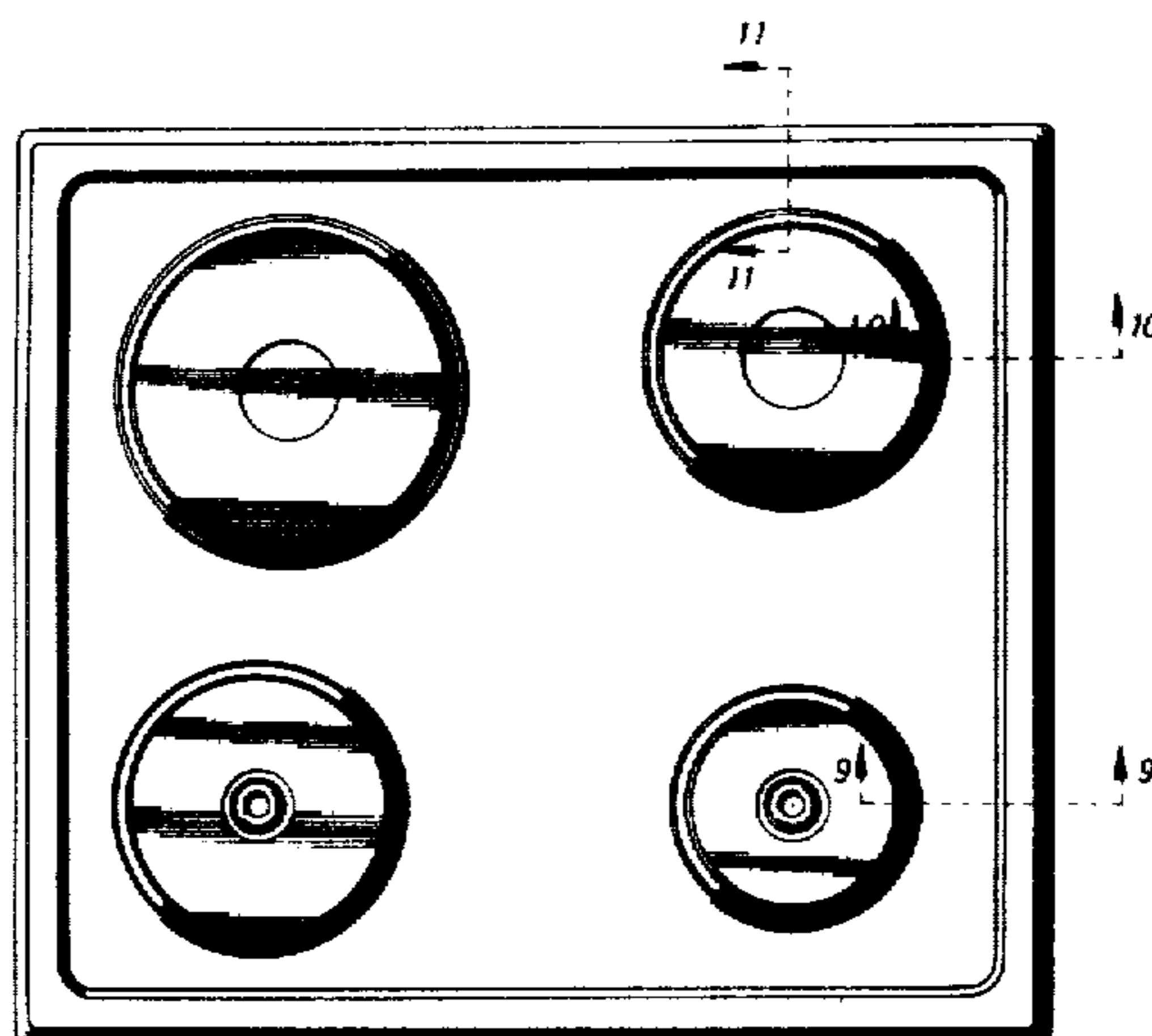
Preisliste 5220, E.G.O. Elektro-Gerate, Blanc V. Fischer, 1/7/74.
 Jackson Perspectus, Jackson Industries Ltd., "Speedring Plates-New Developments".
 Elektrolux, Sales Brochure, pp. 63-64, 1977.
 Schott, Sales Brochure Re "Ceran", pp. 2-3, 1976.
 BBC, "Einbaugeräte", p. 57-11, 1952.
 Kenmore, "Electric Space Makers!", p. 673.
 Primary Examiner—Catherine E. Kemper
 Attorney, Agent, or Firm—Steele, Gould & Fried

[57] **CLAIM**

The ornamental design for a cooking appliance, as shown and described.

DESCRIPTION

FIG. 1 is a top perspective view of a cooking appliance, showing my new design;
 FIG. 2 is a side elevational view thereof;
 FIG. 3 is a top perspective view thereof;
 FIG. 4 is a bottom perspective view thereof;
 FIG. 5 is a side elevational view of the cooking appliance shown with the cooking plates and bottom sheet omitted;
 FIG. 6 is a top perspective view of the cooking appliance as shown in FIG. 5;
 FIG. 7 is a top plan view of the cooking appliance as shown in FIG. 5;
 FIG. 8 is a side elevational view of one of the cooking plates;
 FIG. 9 is a partial sectional view taken along line 9-9 of FIG. 1;
 FIG. 10 is a partial sectional view taken along line 10-10 of FIG. 1;
 FIG. 11 is a partial sectional view taken along line 11-11 of FIG. 1;
 FIG. 12 is a partial sectional view similar to that shown in FIGS. 9-11, but shown on a larger scale;
 FIG. 13 is a partial sectional view taken on line 13-13 of FIG. 7.



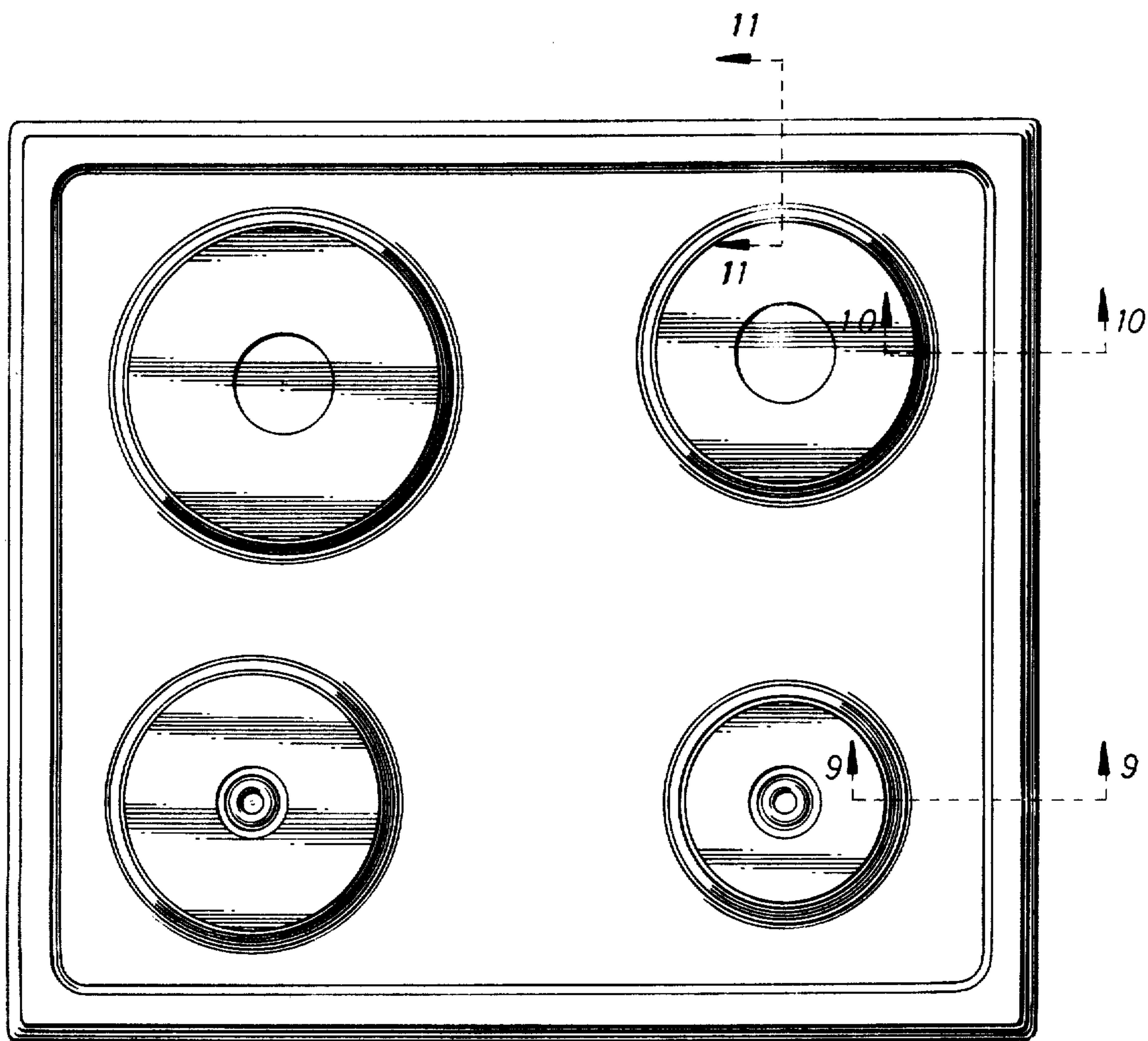


Fig. 1

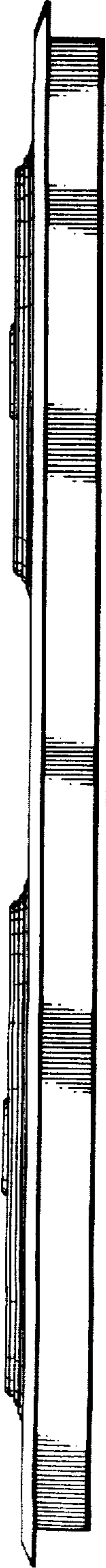


Fig. 2

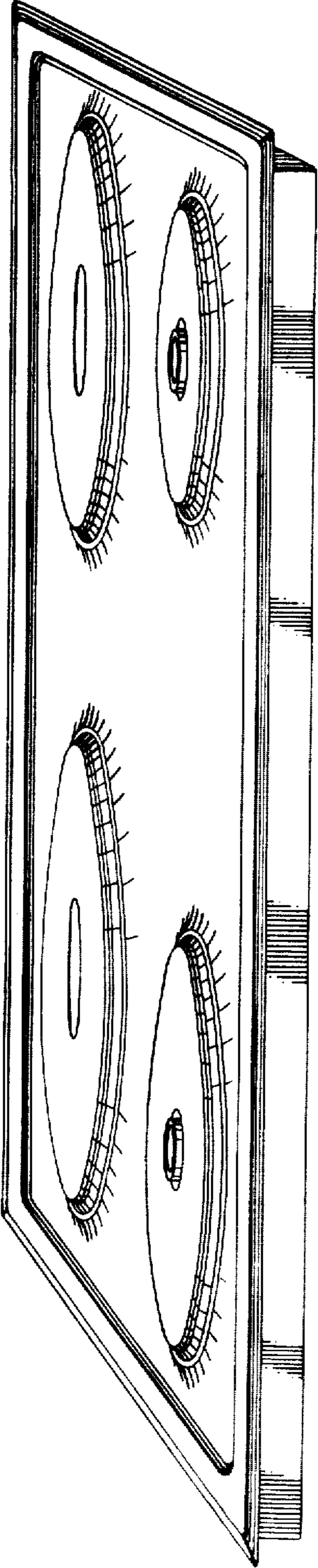


Fig. 3

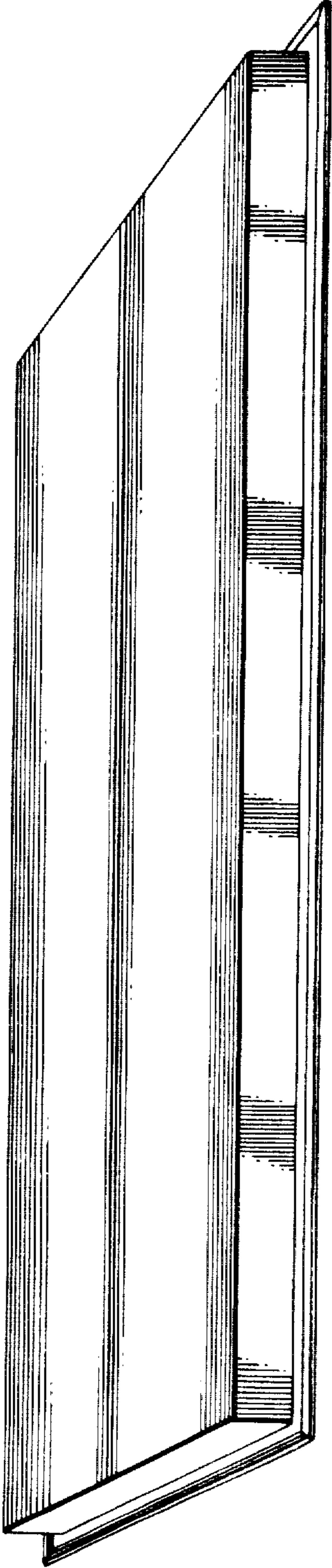


Fig. 4



Fig. 5

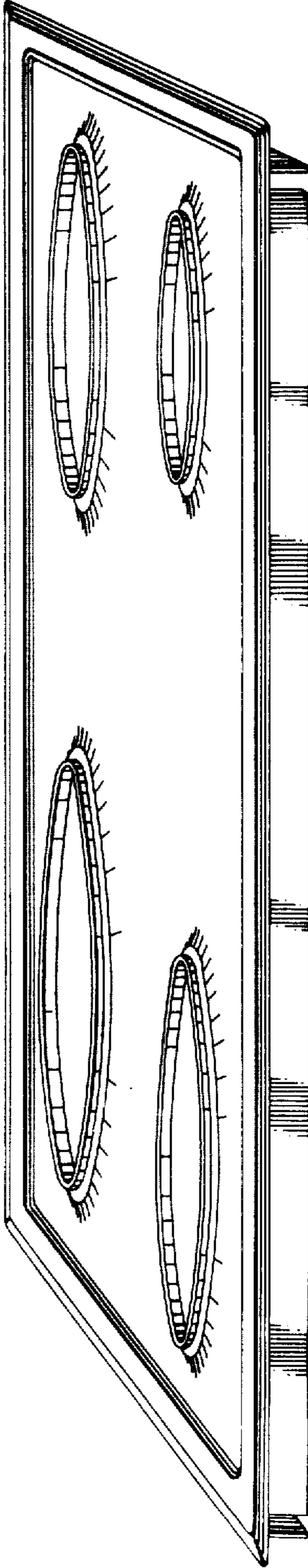


Fig. 6

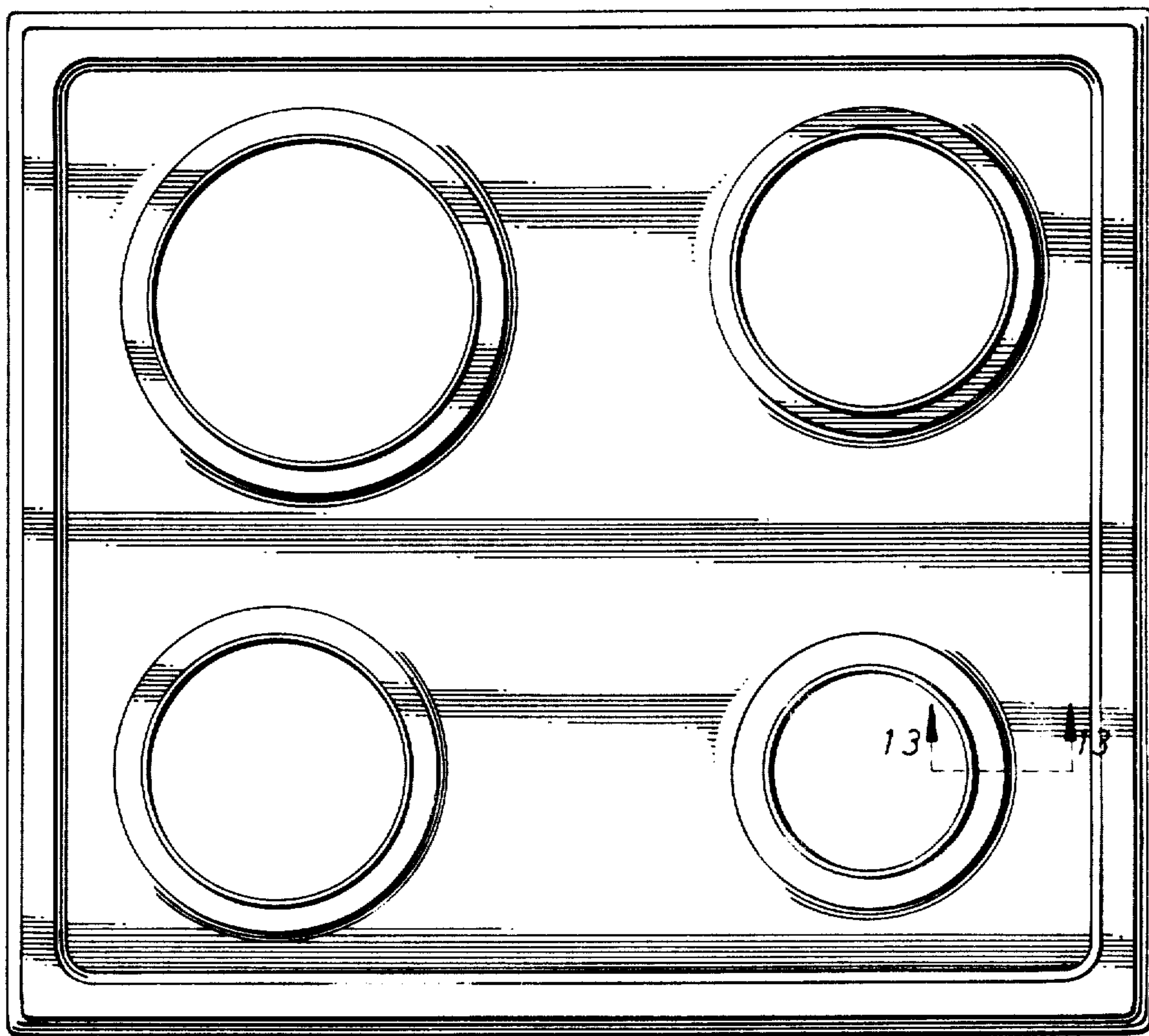


Fig. 7



Fig. 8

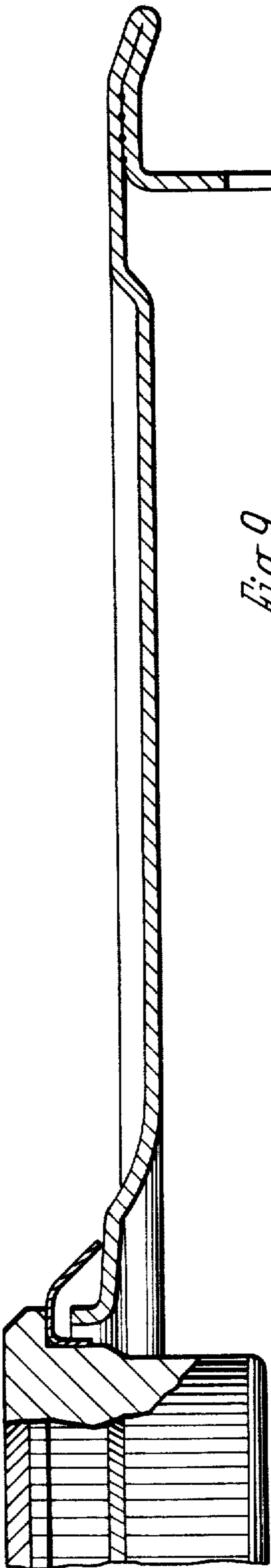


Fig. 9

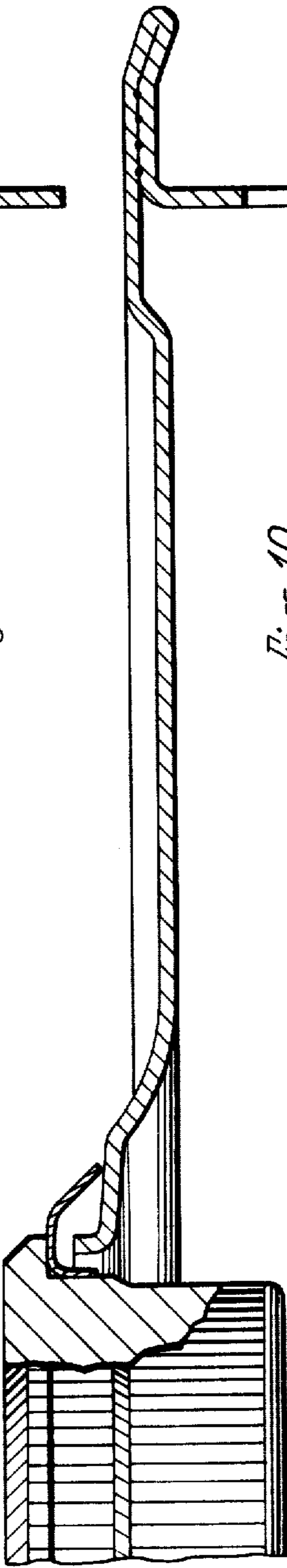


Fig. 10

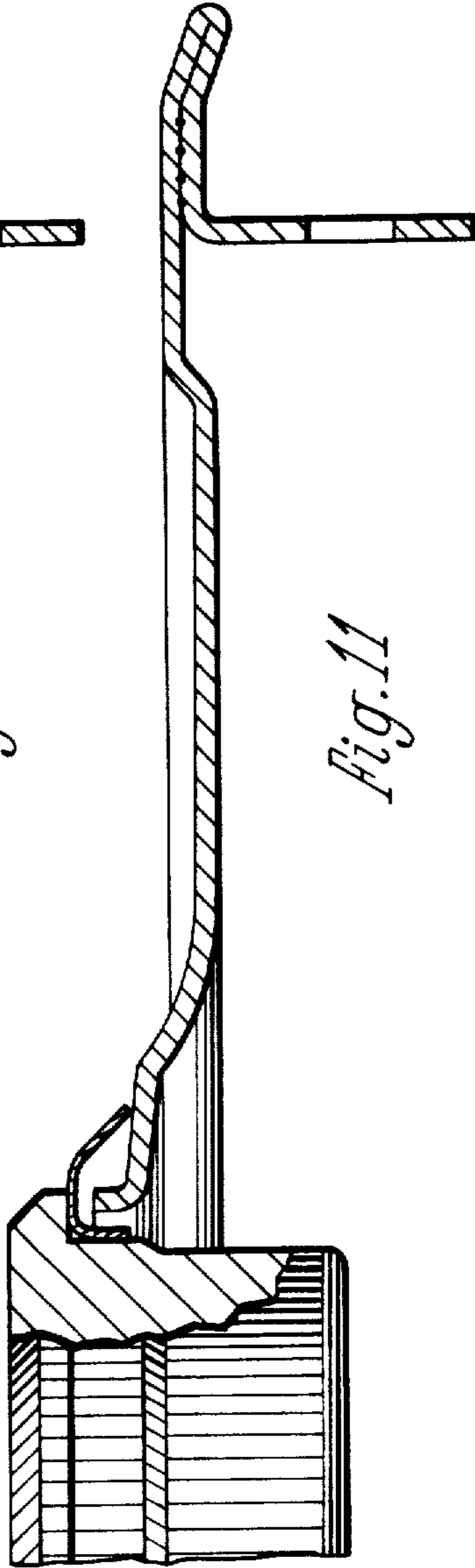


Fig. 11

