

[54] COMBINED PASTA DRYING RACK AND TRIVET

[76] Inventor: James E. Duggan, 1991 Dellwood Dr. NW., Atlanta, Ga. 30309

[\*\*] Term: 14 Years

[21] Appl. No.: 178,378

[22] Filed: Aug. 14, 1980

[51] Int. Cl. .... D7-04

[52] U.S. Cl. .... D7/76; D7/388; D32/58; 211/171

[58] Field of Search ..... D6/114, 85, 186, 157; D7/41, 130; D32/58, 57, 56, 55; 211/100, 170, 171, 191, 193, 195, 198, 199

[56] References Cited

U.S. PATENT DOCUMENTS

- D. 188,399 7/1960 Link ..... D6/85
- D. 201,480 6/1965 Faber ..... D6/85
- D. 253,450 11/1979 Butcher ..... D6/157

1,981,268 11/1934 Heiser ..... D32/58 X

OTHER PUBLICATIONS

*McCoy Coop Company*, Cat. © 1979, p. 7, Dowel Trivet, bottom right, made of oak and hickory.

*House Furnishings Review*, May, 1949, p. 14, Camp Grid shown, Washburn Co. Adv., lower item.

*Kitchen Bazaar Cat. Paper*, p. 28, bottom row, center item, clothes rack that doubles as pasta dryer.

Primary Examiner—Winifred E. Herrmann

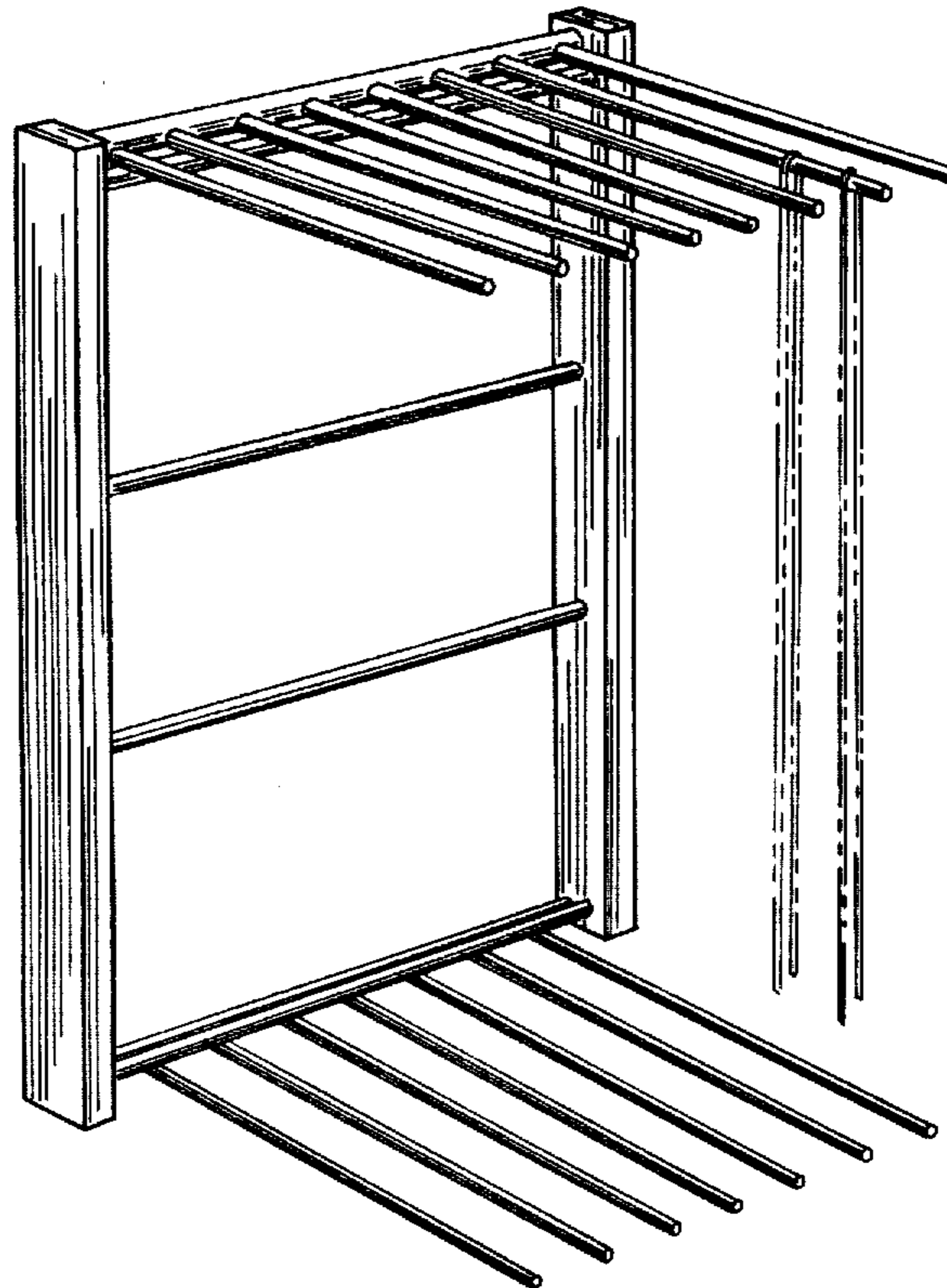
[57] CLAIM

The ornamental design for a combined pasta drying rack and trivet, as shown and described.

DESCRIPTION

FIG. 1 is a front perspective view of a combined pasta drying rack and trivet showing my new design; the broken line showing of the pasta being for illustrative purposes only; and

FIG. 2 is a rear perspective view thereof in a closed condition.



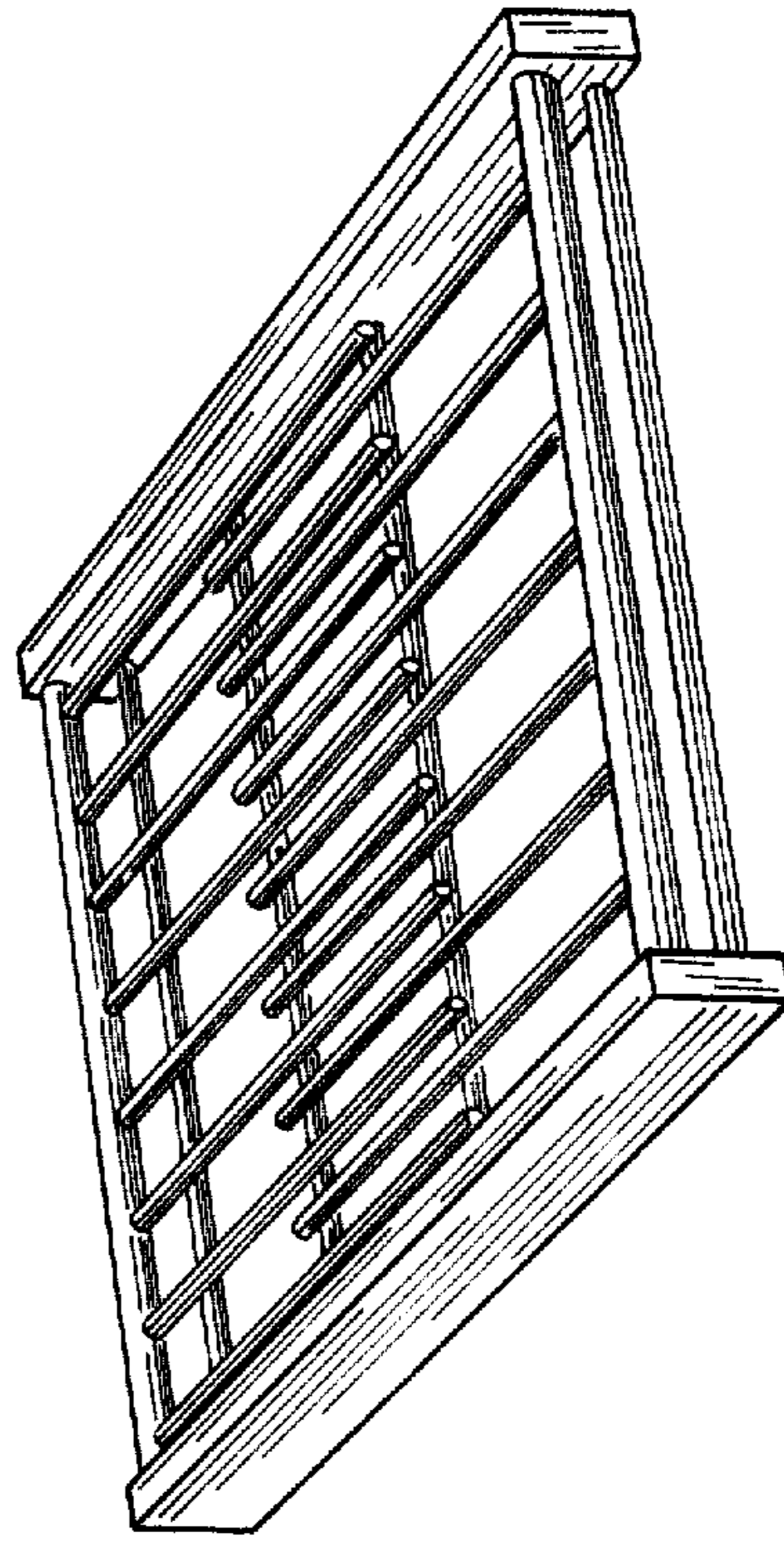


FIGURE 2

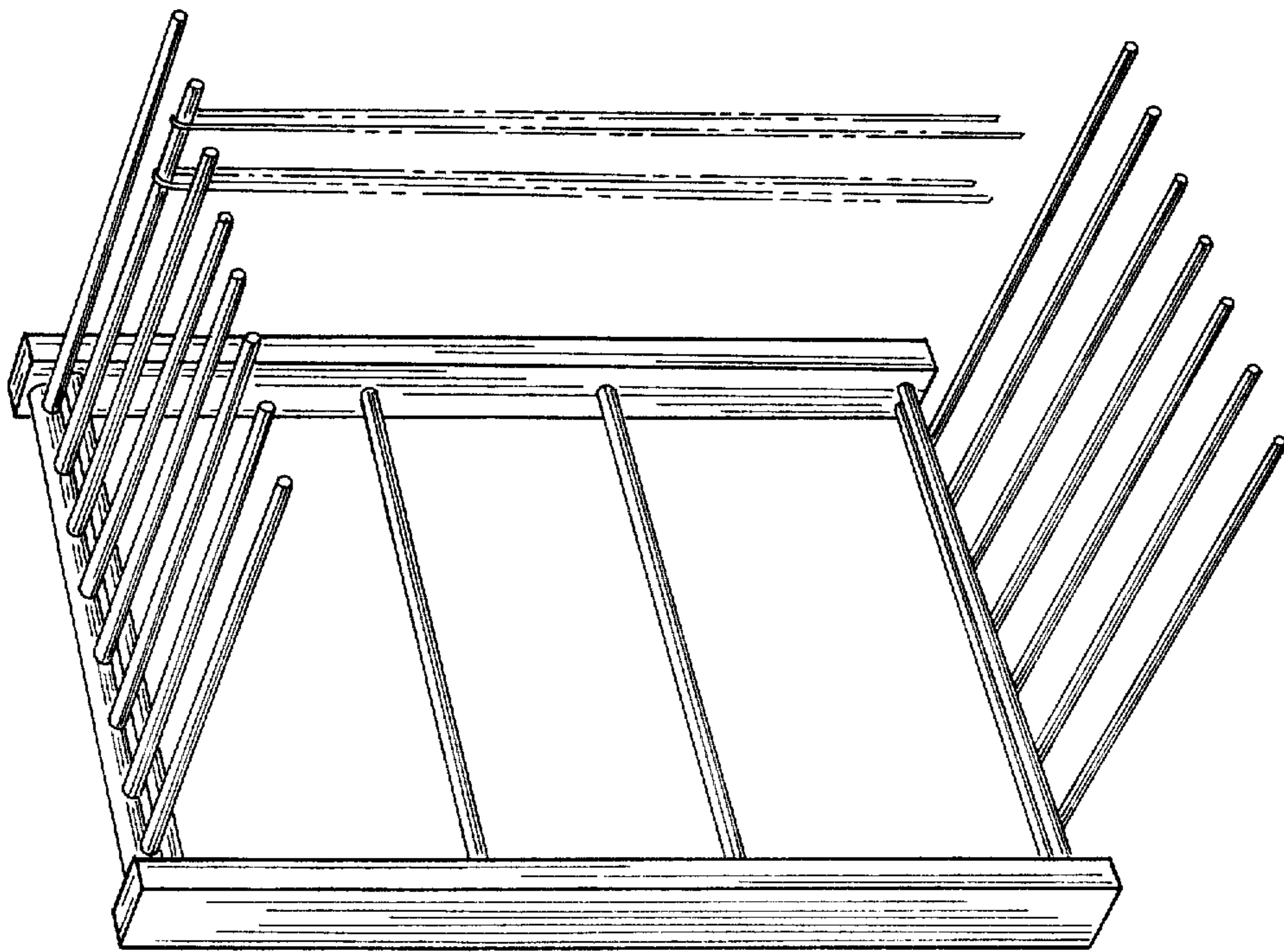


FIGURE 1