

[54] CUSHIONED SEAT

[75] Inventor: Pramuan Krabeepetcharat, Mission Viejo, Calif.

[73] Assignee: dellaRobbia Incorporated, Irvine, Calif.

[**] Term: 14 Years

[21] Appl. No.: 224,975

[22] Filed: Jan. 14, 1981

[51] Int. Cl. D6-01

[52] U.S. Cl. D6/66; D6/47; D6/61; D6/75

[58] Field of Search D6/20, 26, 27, 37-39, D6/47-78

[56] References Cited

U.S. PATENT DOCUMENTS

D. 227,952	7/1973	Costabile	D6/37 X
D. 229,879	1/1974	Bernard	D6/37 X
D. 244,239	5/1977	Lavoye	D6/75
D. 245,132	7/1977	Gale, Jr.	D6/38
D. 249,304	9/1978	Nash	D6/37
3,469,882	9/1969	Larsen	D6/37 X
3,722,953	3/1973	Hull	D6/37 X

OTHER PUBLICATIONS

Contract Interiors, Sep. 1978, p. 87, Chair upper right.

Primary Examiner—Bruce W. Dunkins

Attorney, Agent, or Firm—Flynn, Thiel, Boutell & Tanis

[57] CLAIM

The ornamental design for a cushioned seat, as shown and described.

DESCRIPTION

FIG. 1 is a perspective view of a cushioned seat embodying my new design;

FIG. 2 is a side view thereof;

FIG. 3 is a rear view thereof;

FIG. 4 is a perspective view of a first modified form of FIG. 1;

FIG. 5 is a side view thereof;

FIG. 6 is a rear view thereof;

FIG. 7 is a perspective view of a second modified form of FIG. 1;

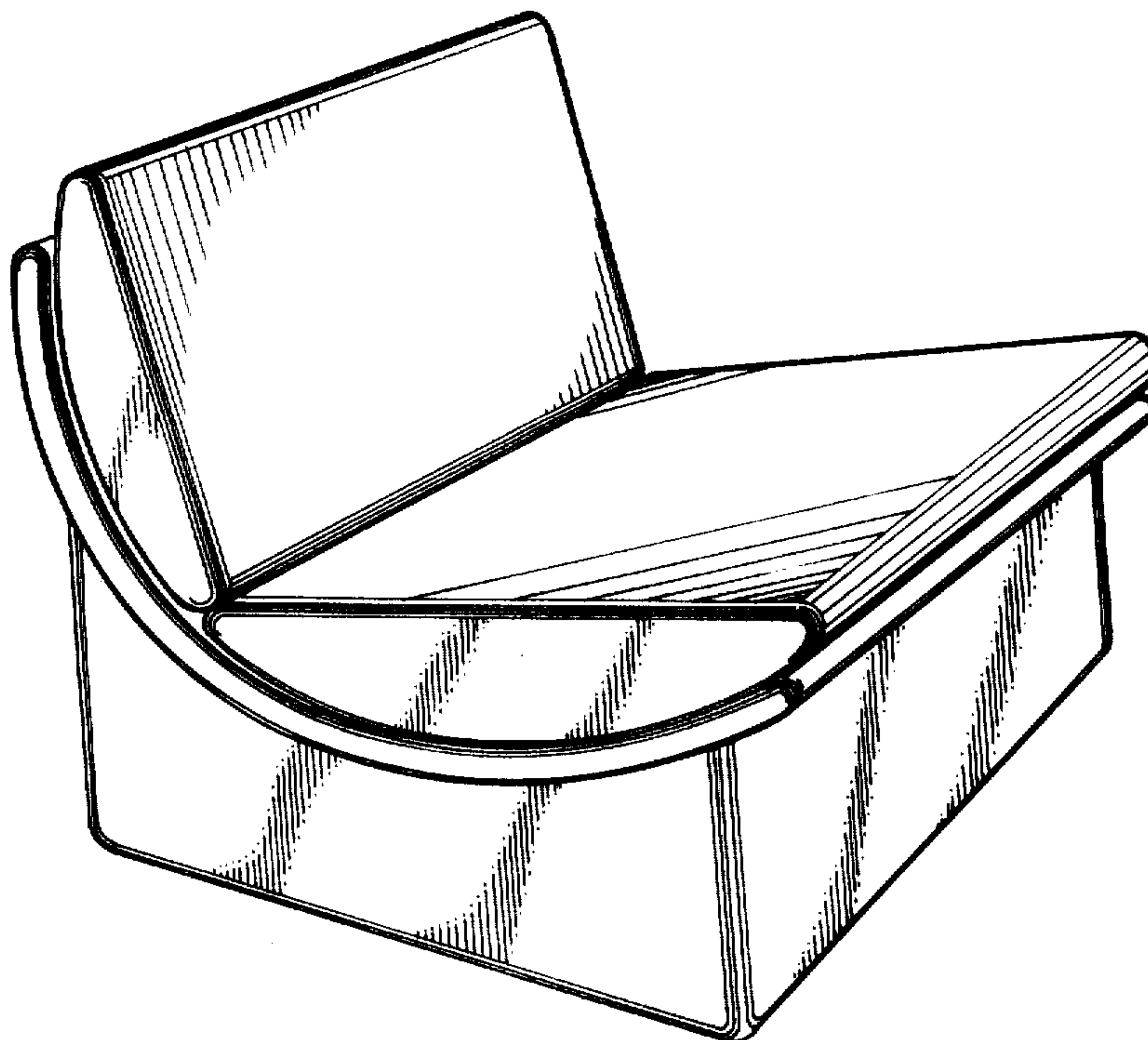
FIG. 8 is a rear view thereof;

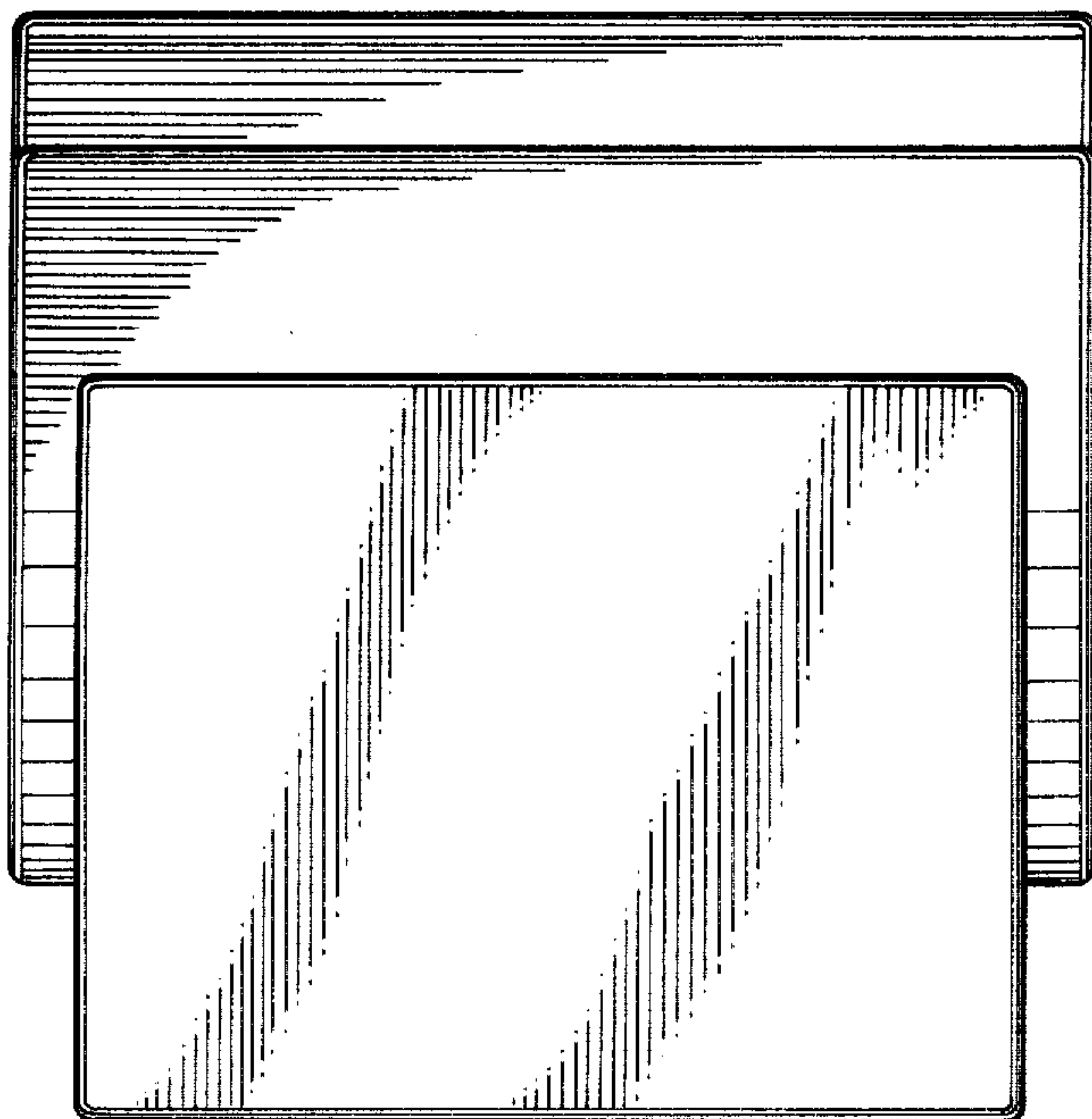
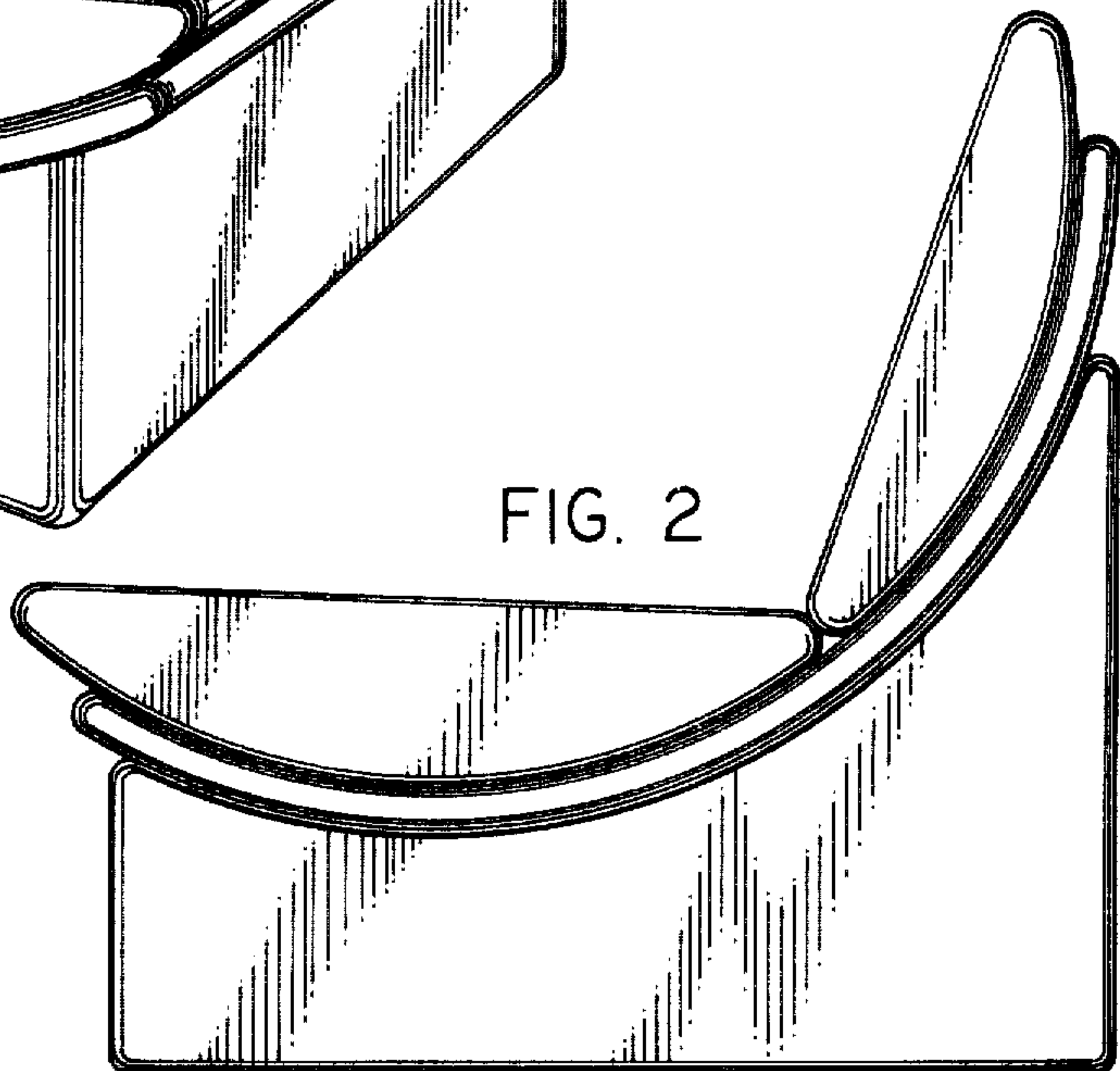
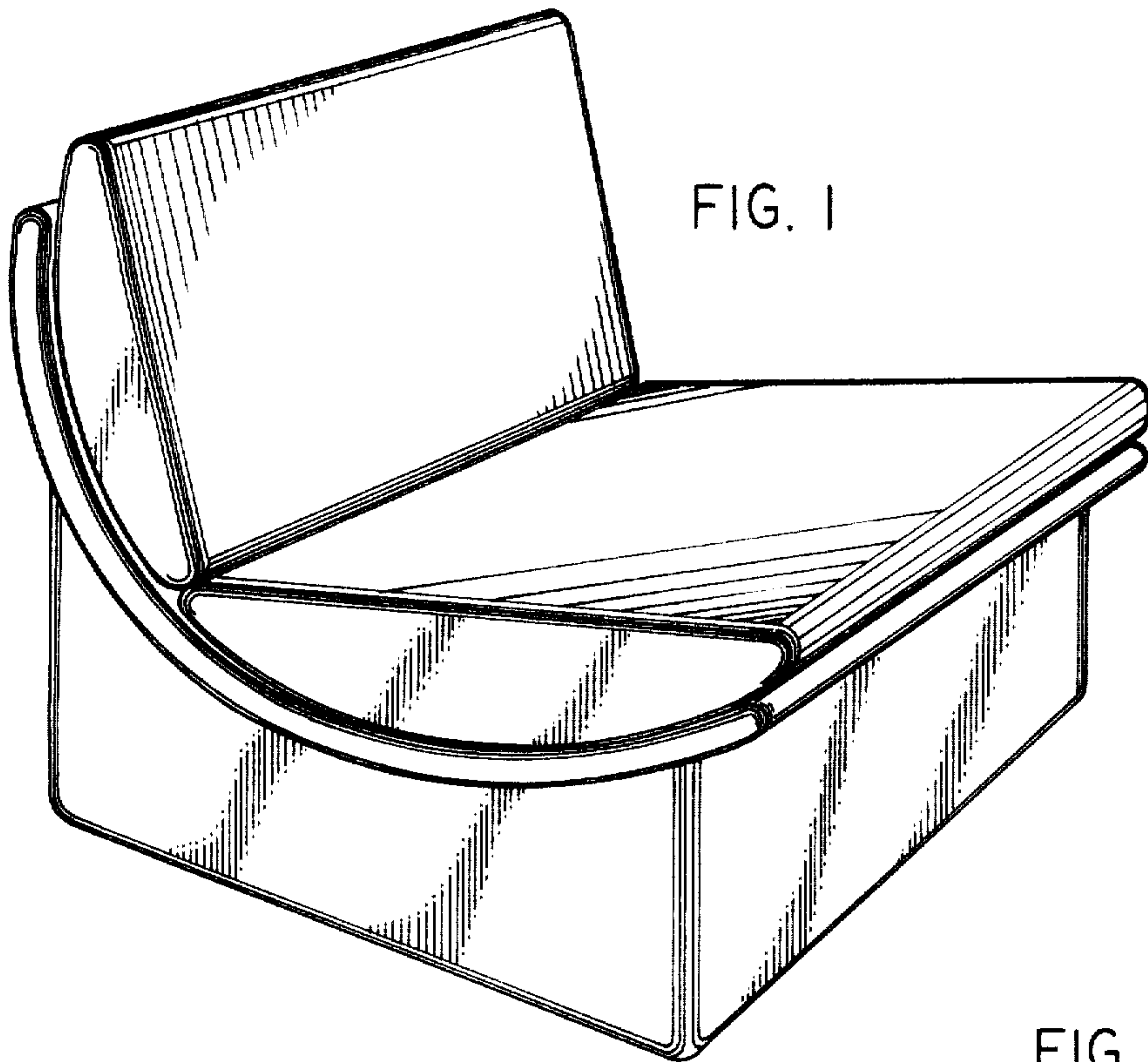
FIG. 9 is a bottom view thereof;

FIG. 10 is a perspective view of a third modified form of FIG. 1;

FIG. 11 is a rear view thereof; and

FIG. 12 is a side view thereof.





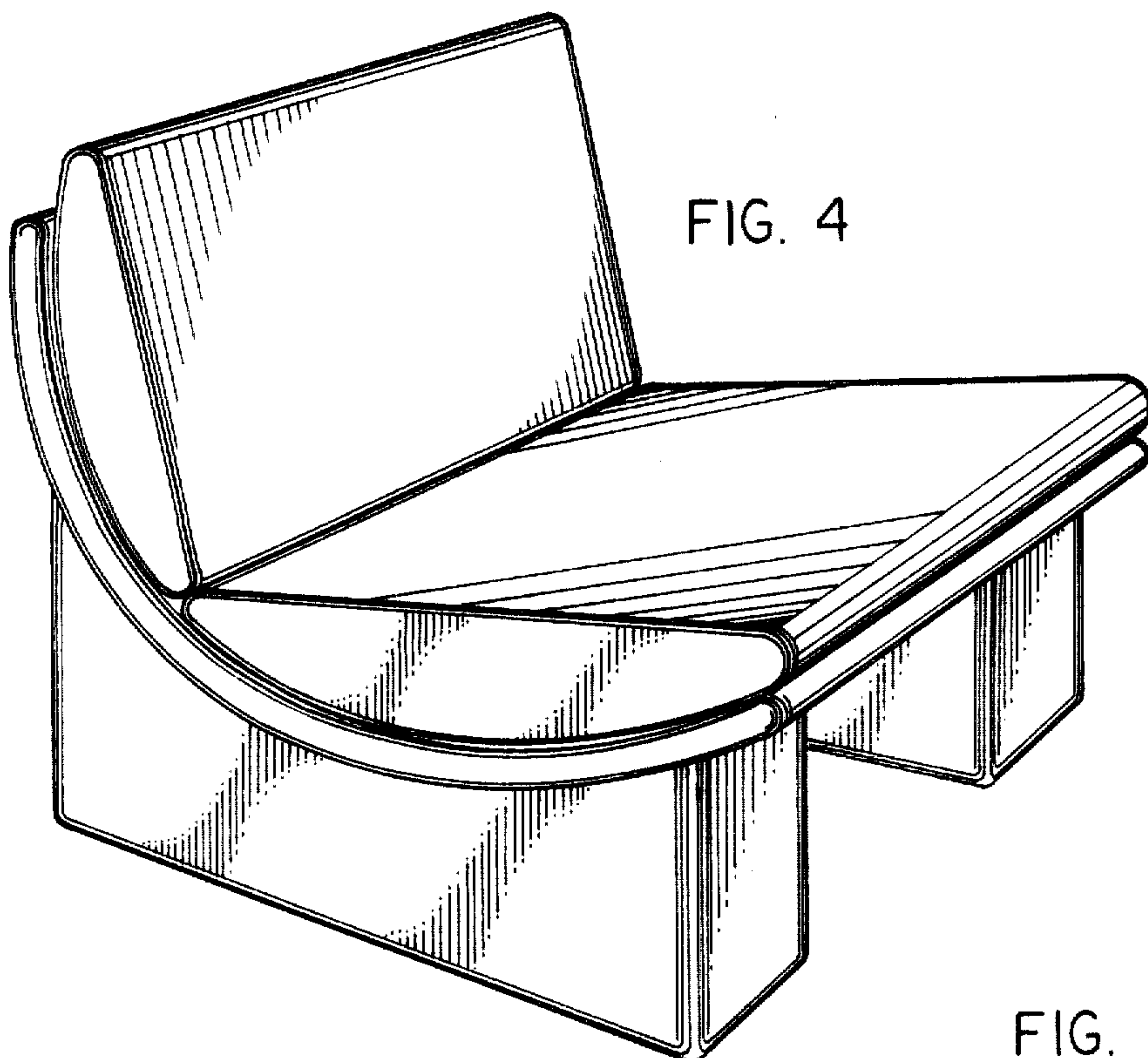


FIG. 4

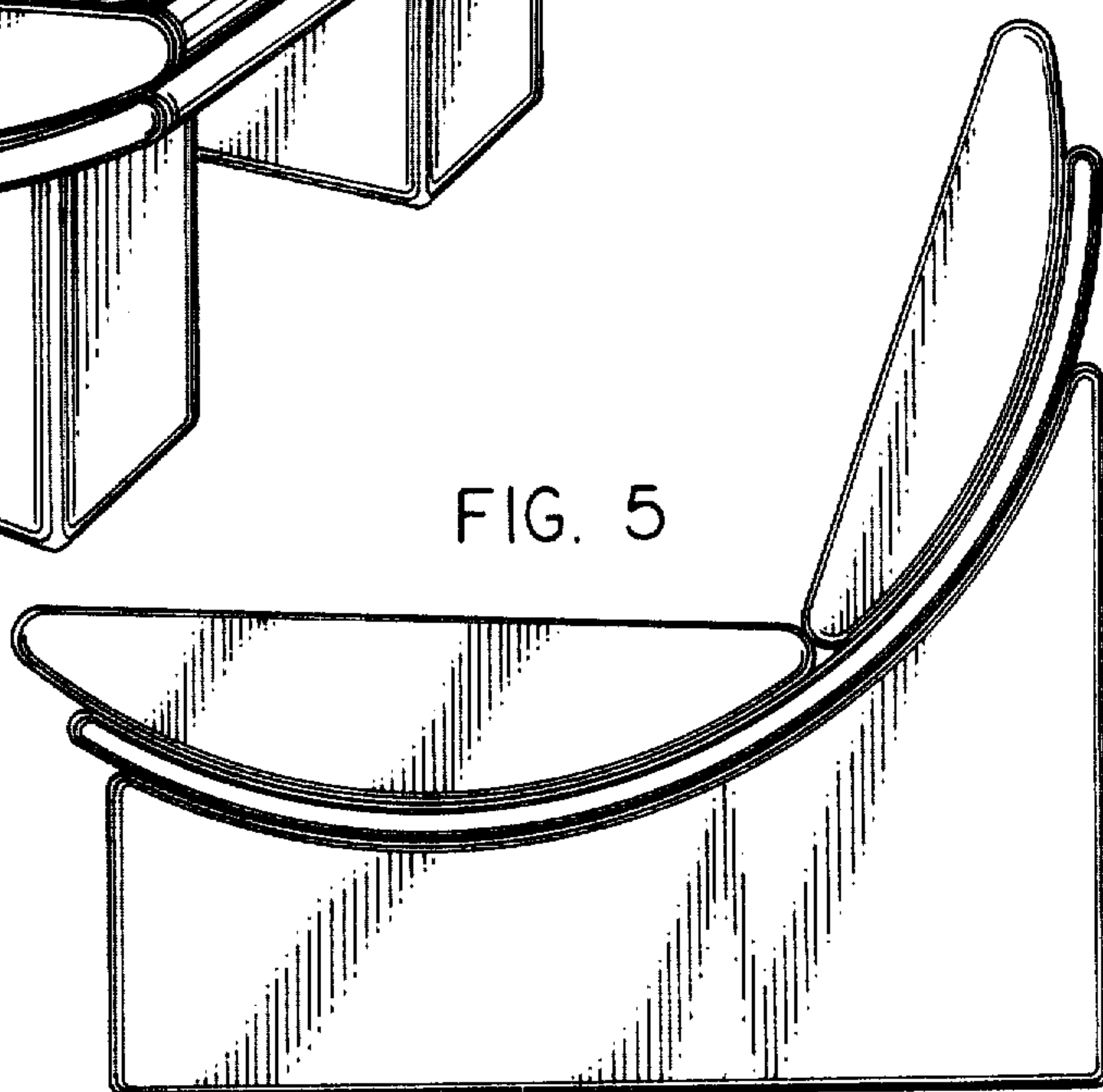


FIG. 5

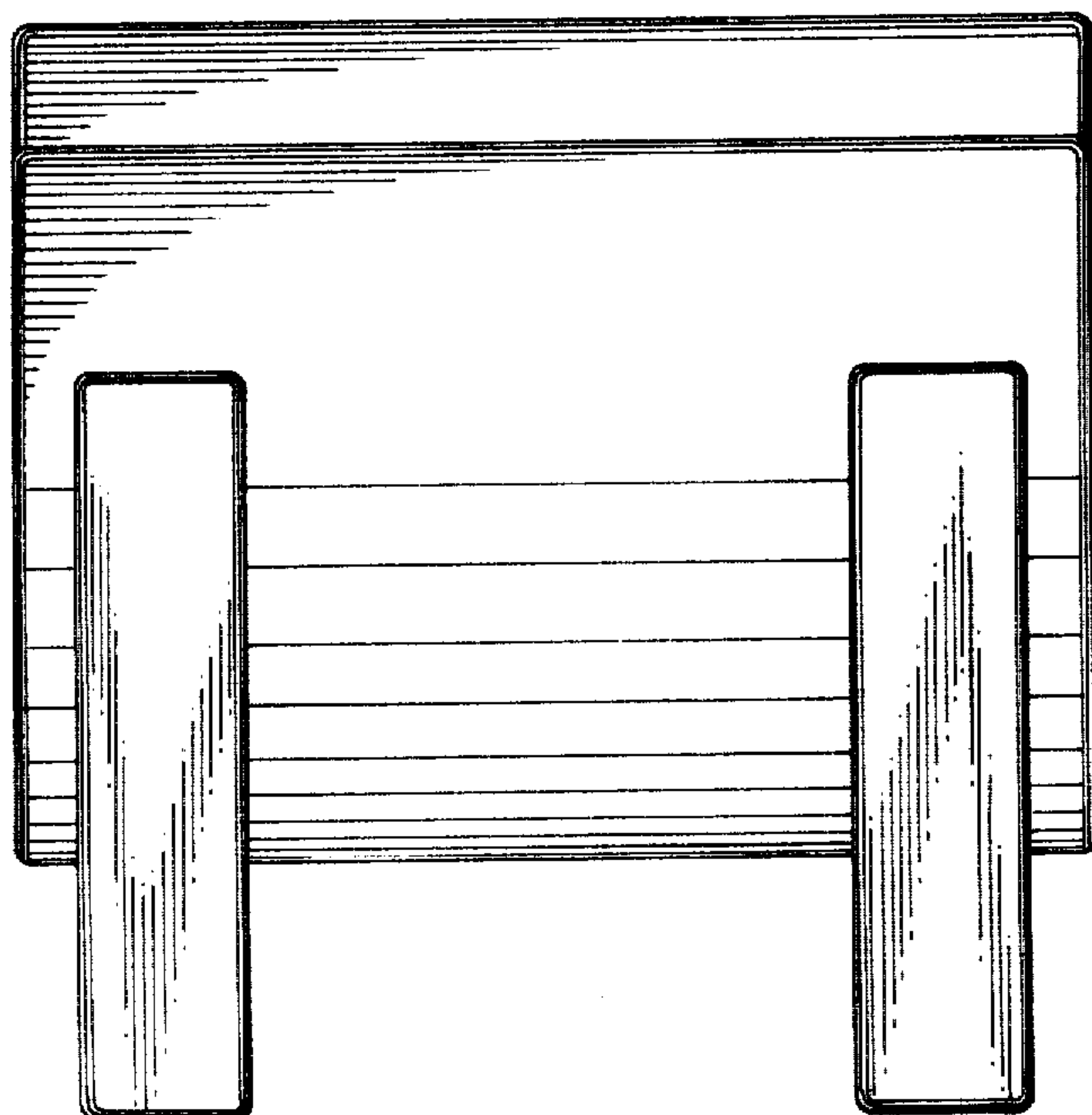


FIG. 6

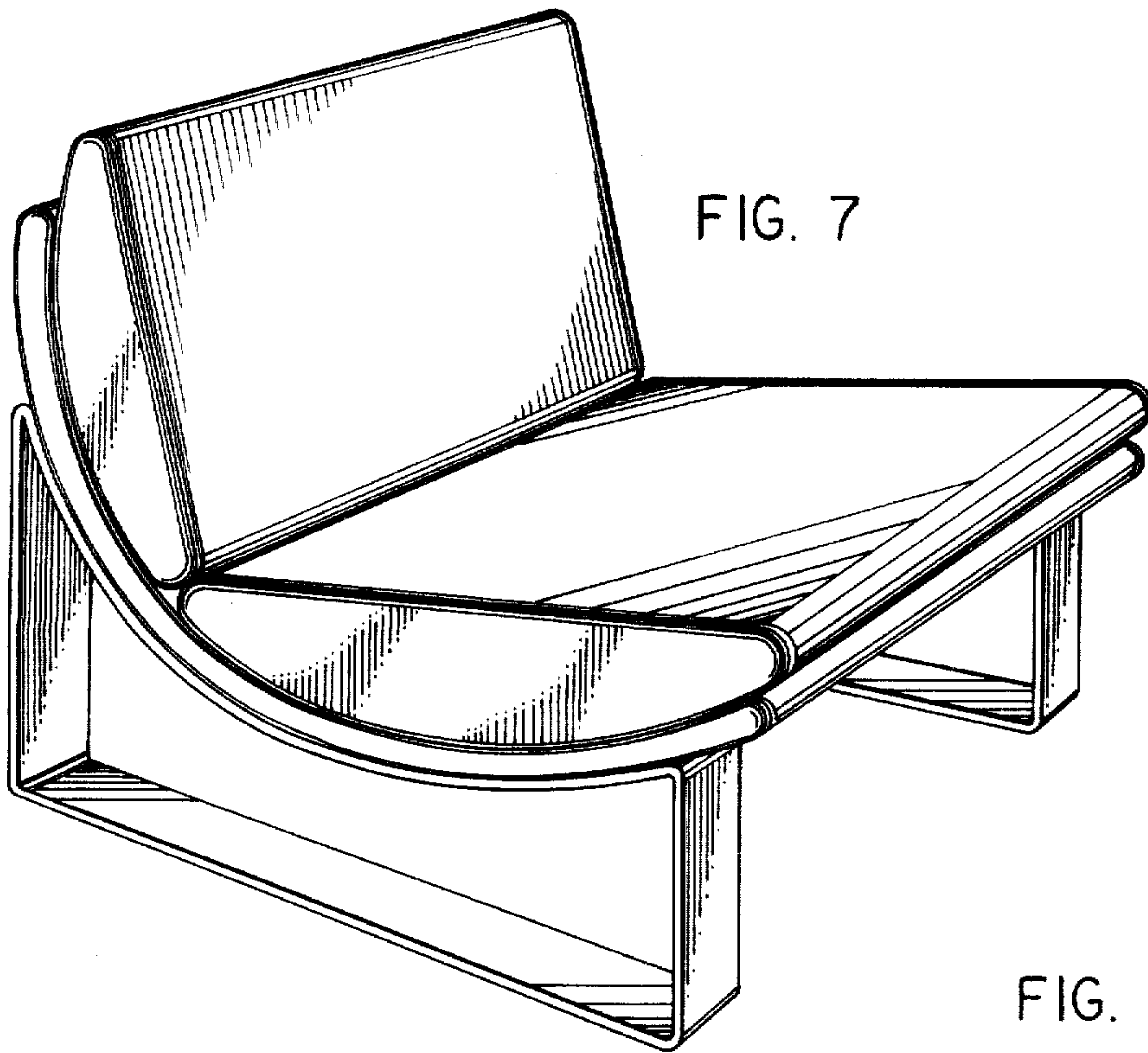


FIG. 7

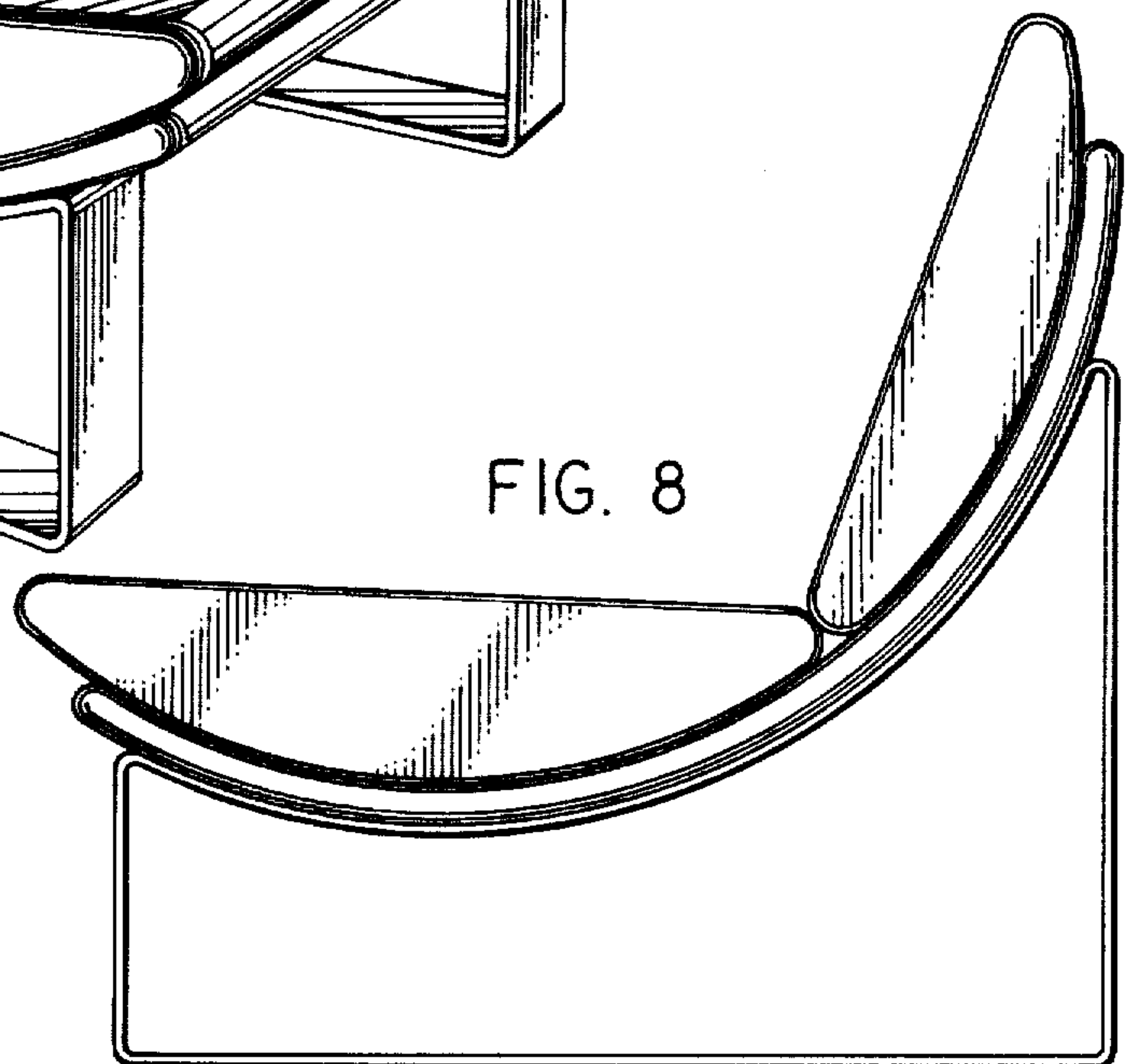


FIG. 8

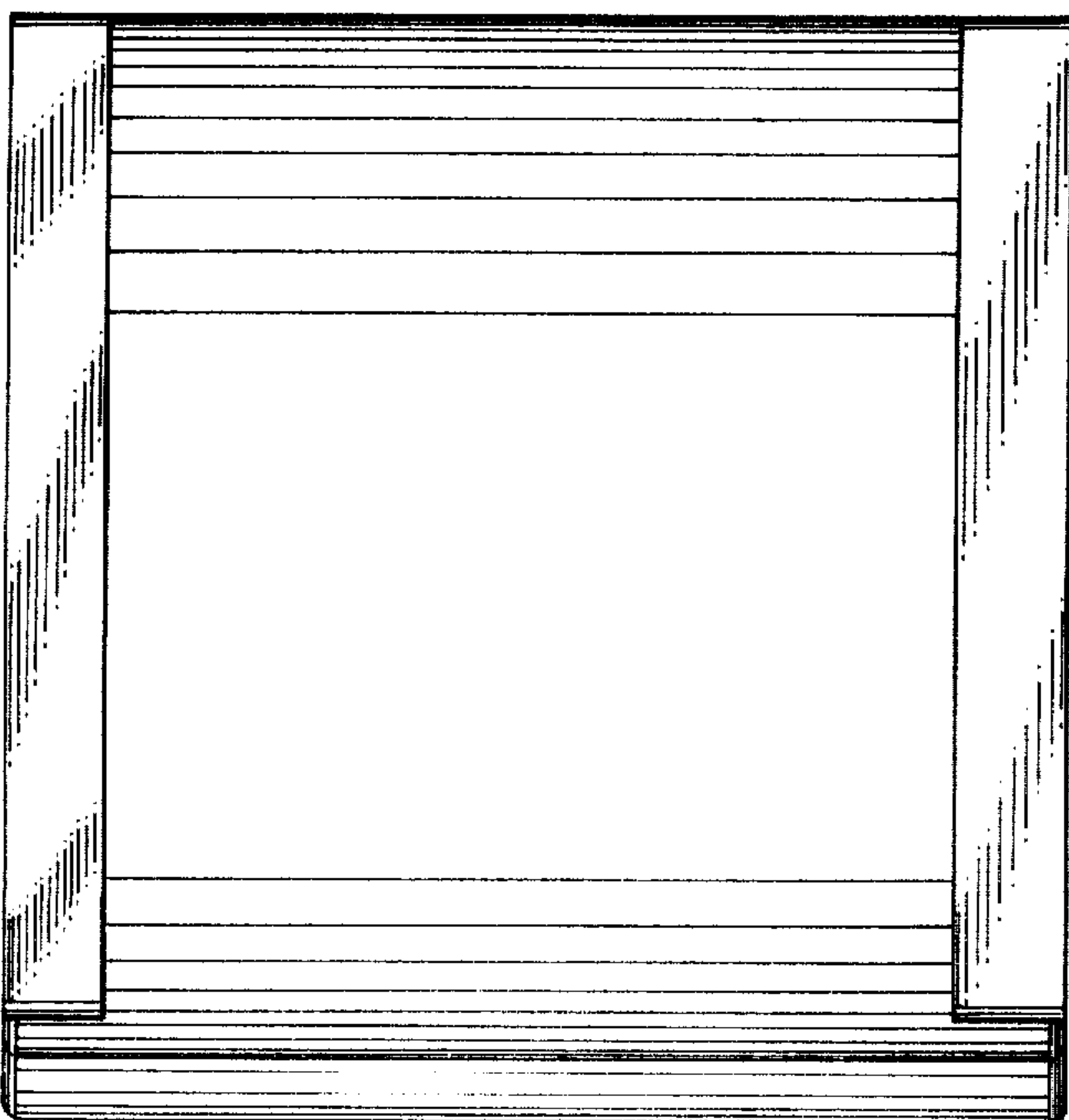


FIG. 9

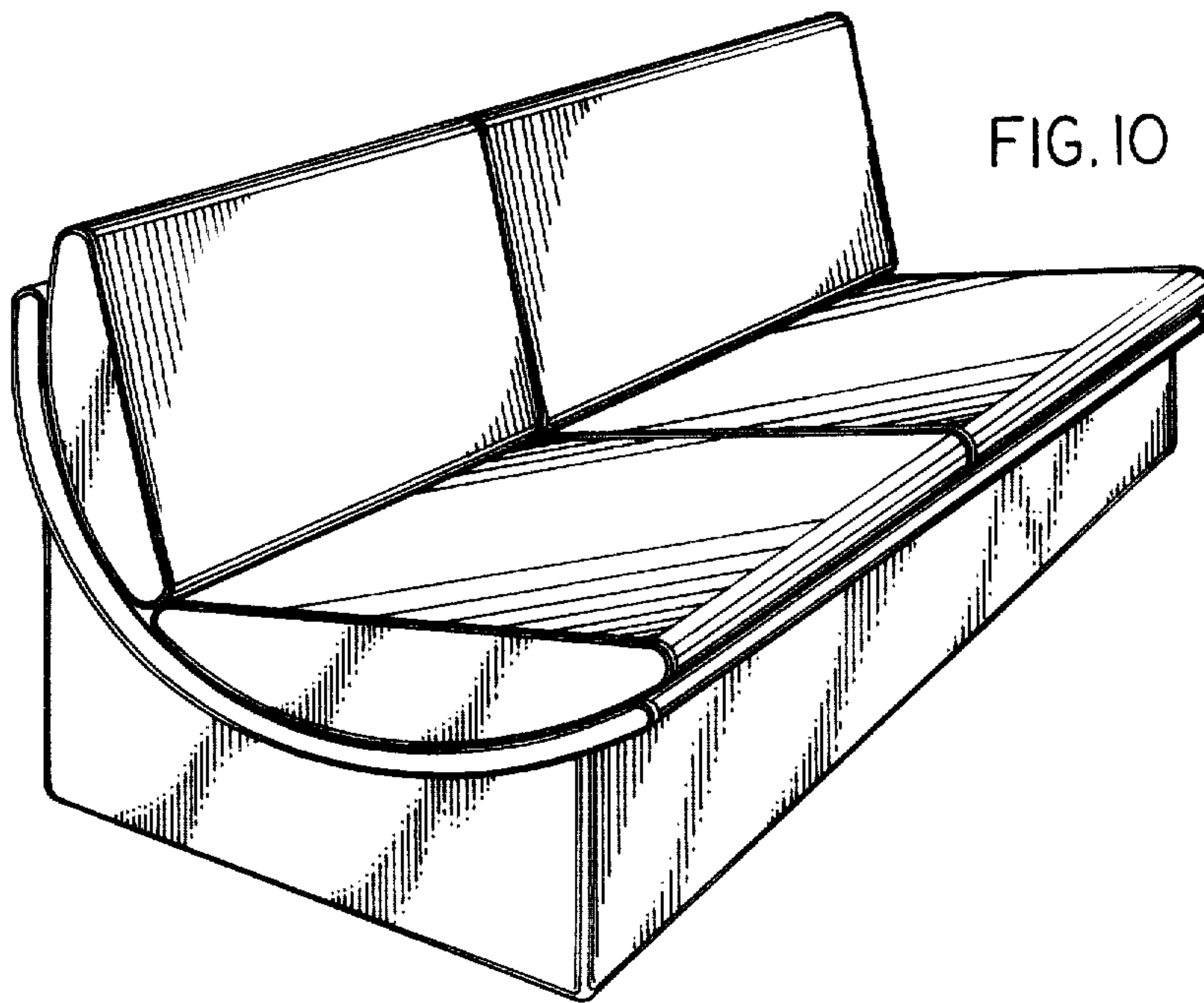


FIG. 10

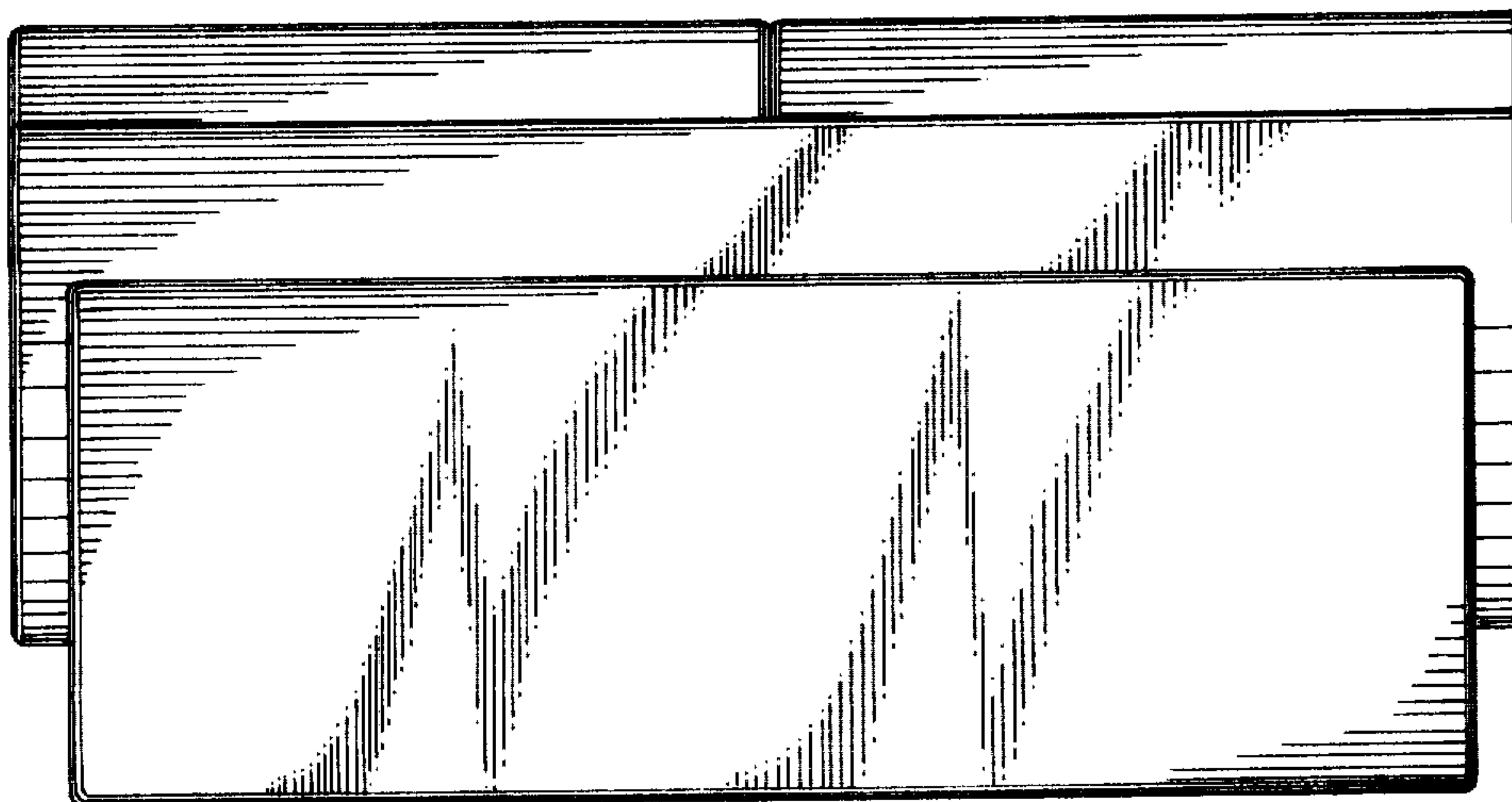


FIG. 11

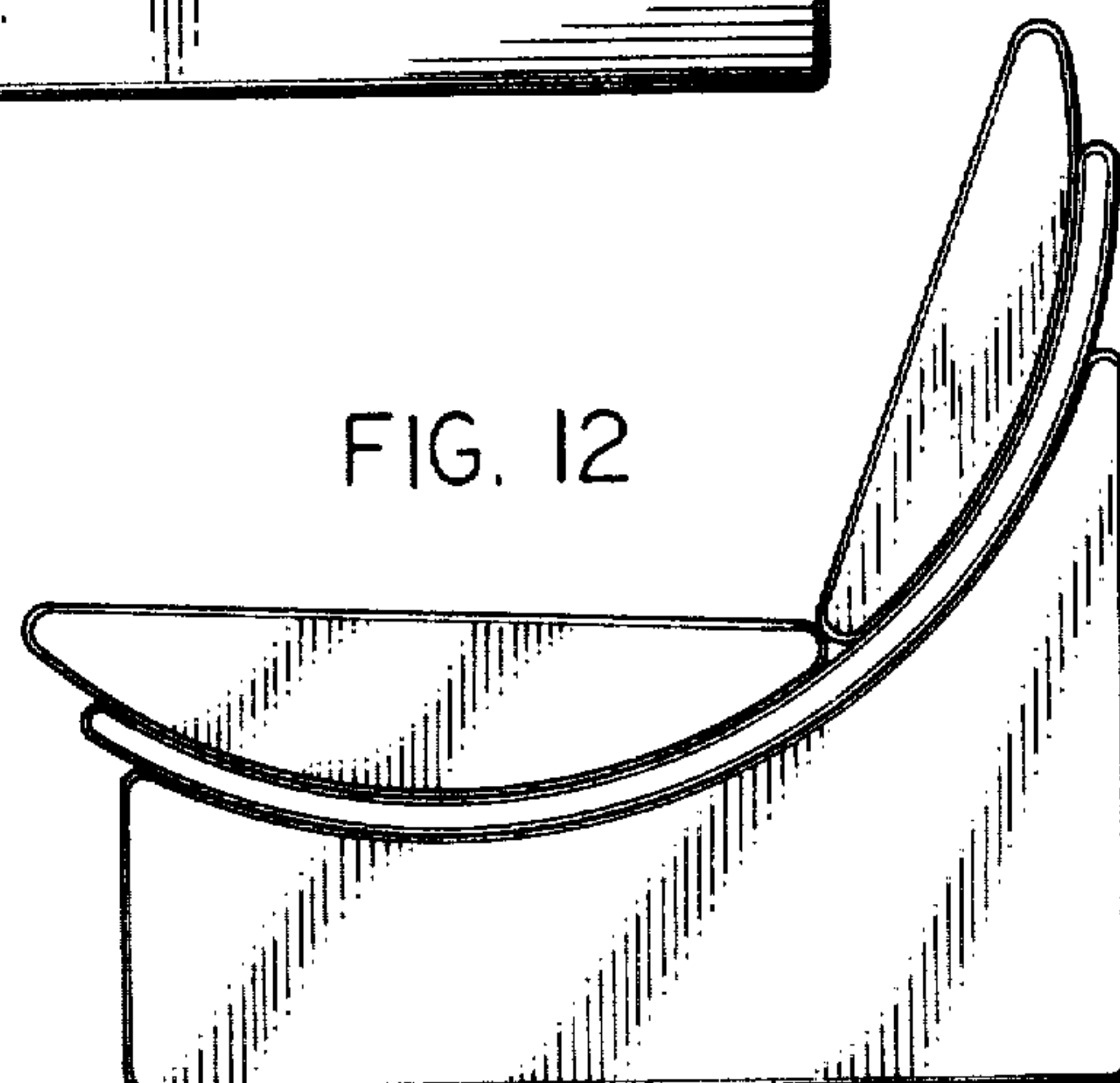


FIG. 12