

[54] **CUSHIONED CHAIR**

[75] **Inventor:** Pramuan Krabeepetcharat, Mission Viejo, Calif.

[73] **Assignee:** dellaRobbia Incorporated, Irvine, Calif.

[\*\*] **Term:** 14 Years

[21] **Appl. No.:** 224,974

[22] **Filed:** Jan. 14, 1981

[51] **Int. Cl.** ..... D6—01

[52] **U.S. Cl.** ..... D6/47; D6/66

[58] **Field of Search** ..... D6/37-39, D6/47-78

[56] **References Cited**

**U.S. PATENT DOCUMENTS**

D. 229,879	1/1974	Bernard	.....	D6/37 X
D. 245,132	7/1977	Gale, Jr.	.....	D6/38
D. 247,009	1/1978	Schöblom et al.	.....	D6/37
D. 249,752	10/1978	Eilersen	.....	D6/37 X
3,469,882	9/1969	Larsen	.....	D6/37 X
3,722,953	3/1973	Hull	.....	D6/37 X

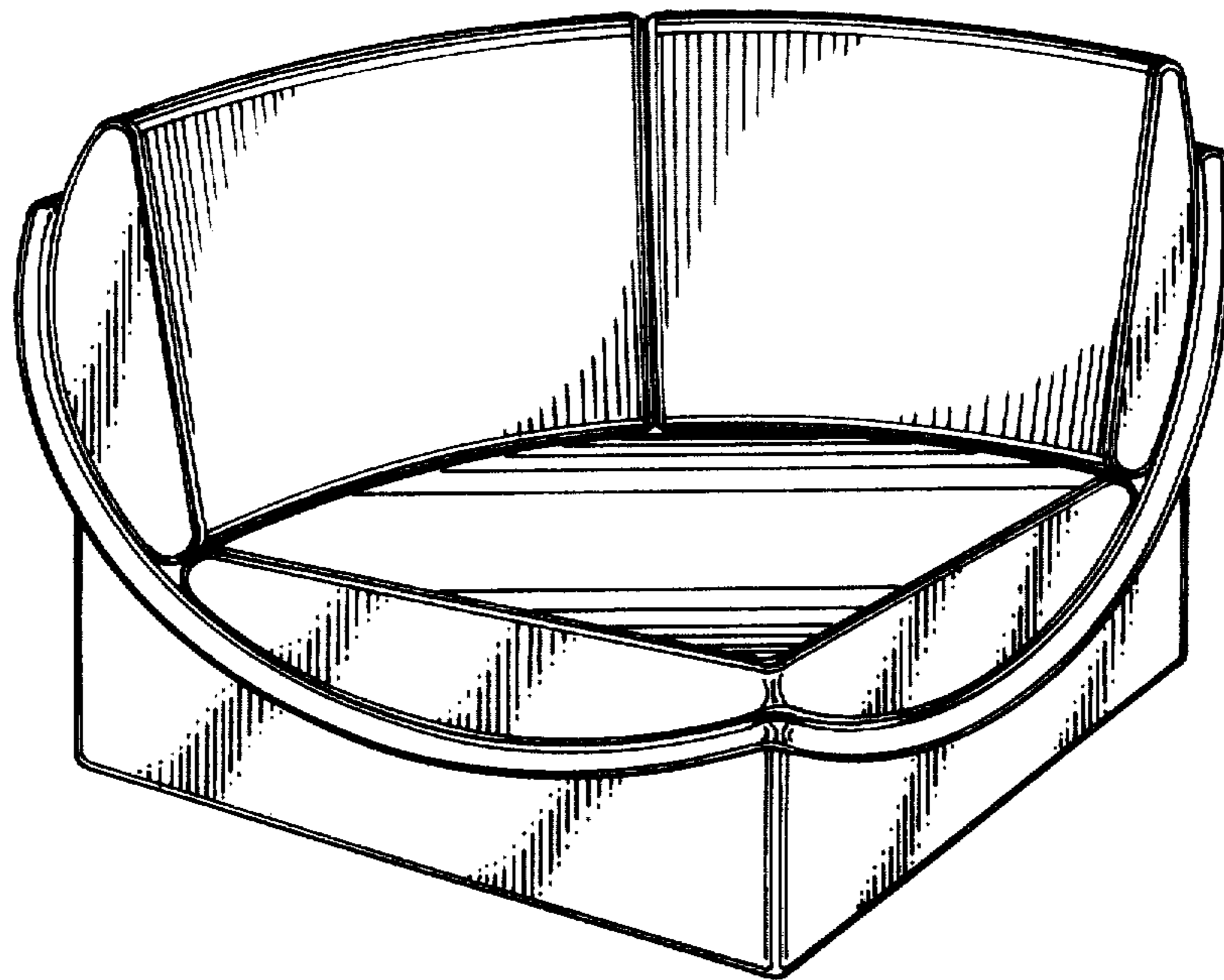
*Primary Examiner*—Bruce W. Dunkins  
*Attorney, Agent, or Firm*—Flynn, Thiel, Boutell & Tanis

[57] **CLAIM**

The ornamental design for a cushioned chair, as shown.

**DESCRIPTION**

FIG. 1 is a perspective view of a cushioned chair embodying my new design;  
FIG. 2 is a top view thereof;  
FIG. 3 is a side view thereof; and  
FIG. 4 is a rear view thereof.



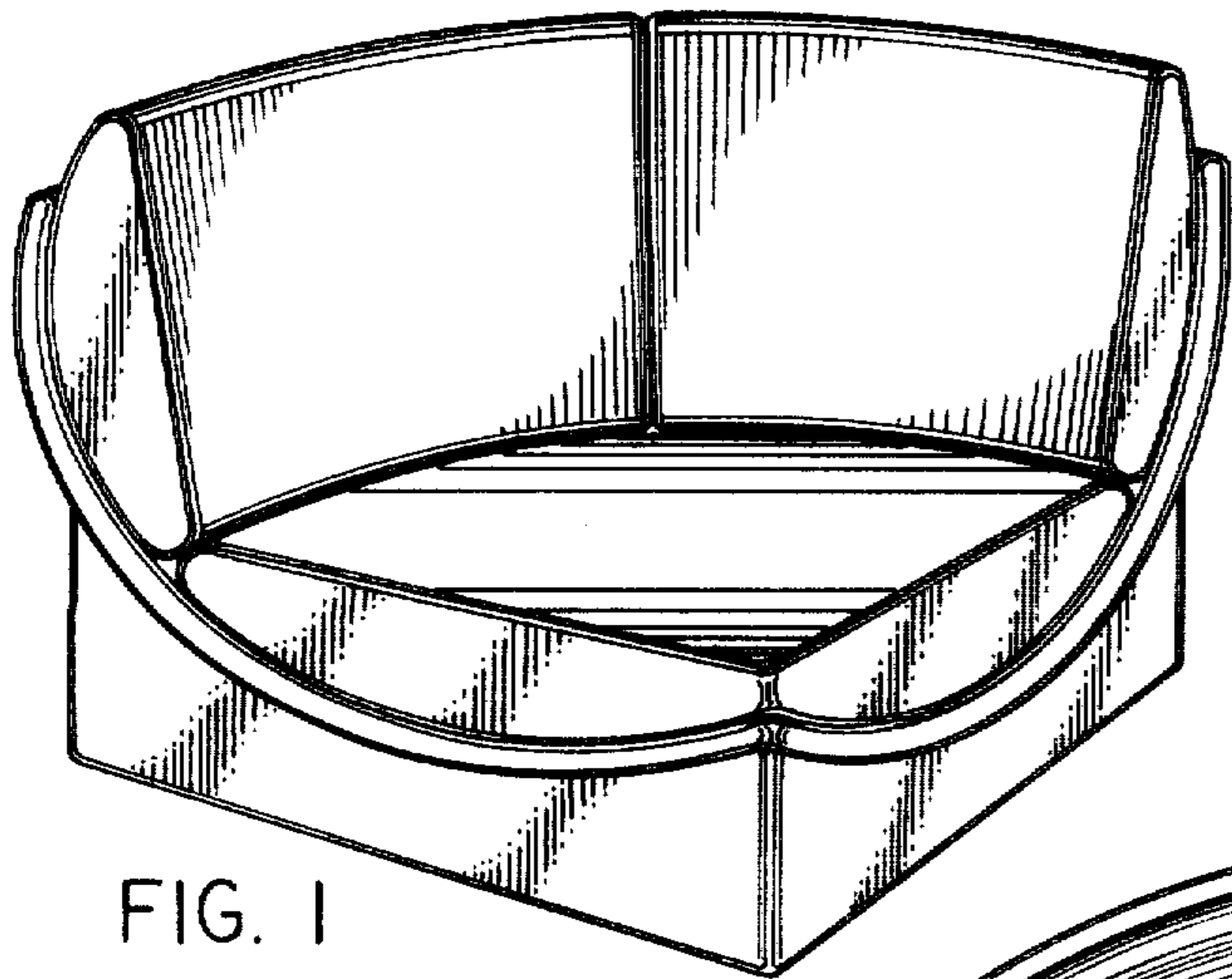


FIG. 1

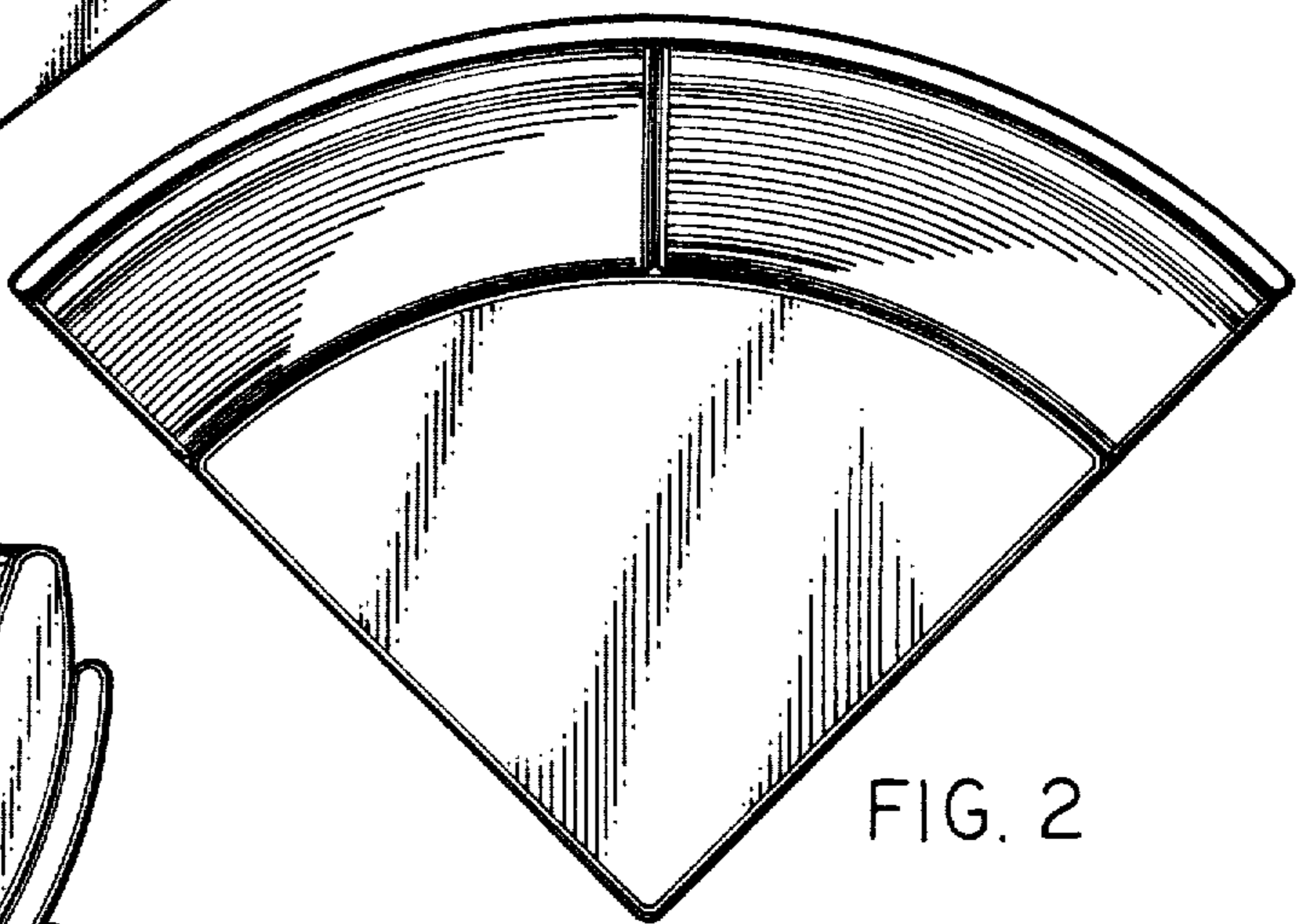


FIG. 2

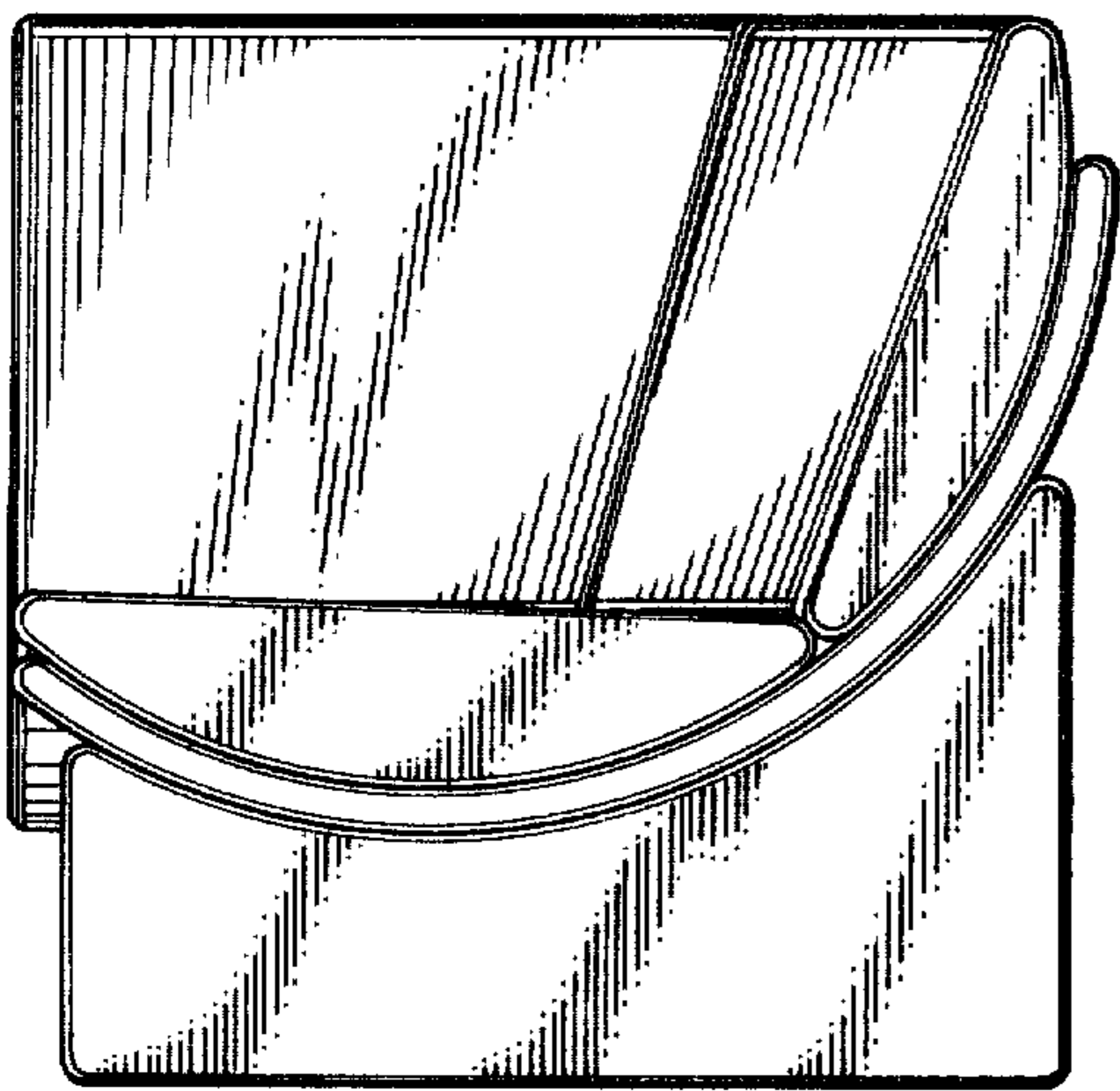


FIG. 3

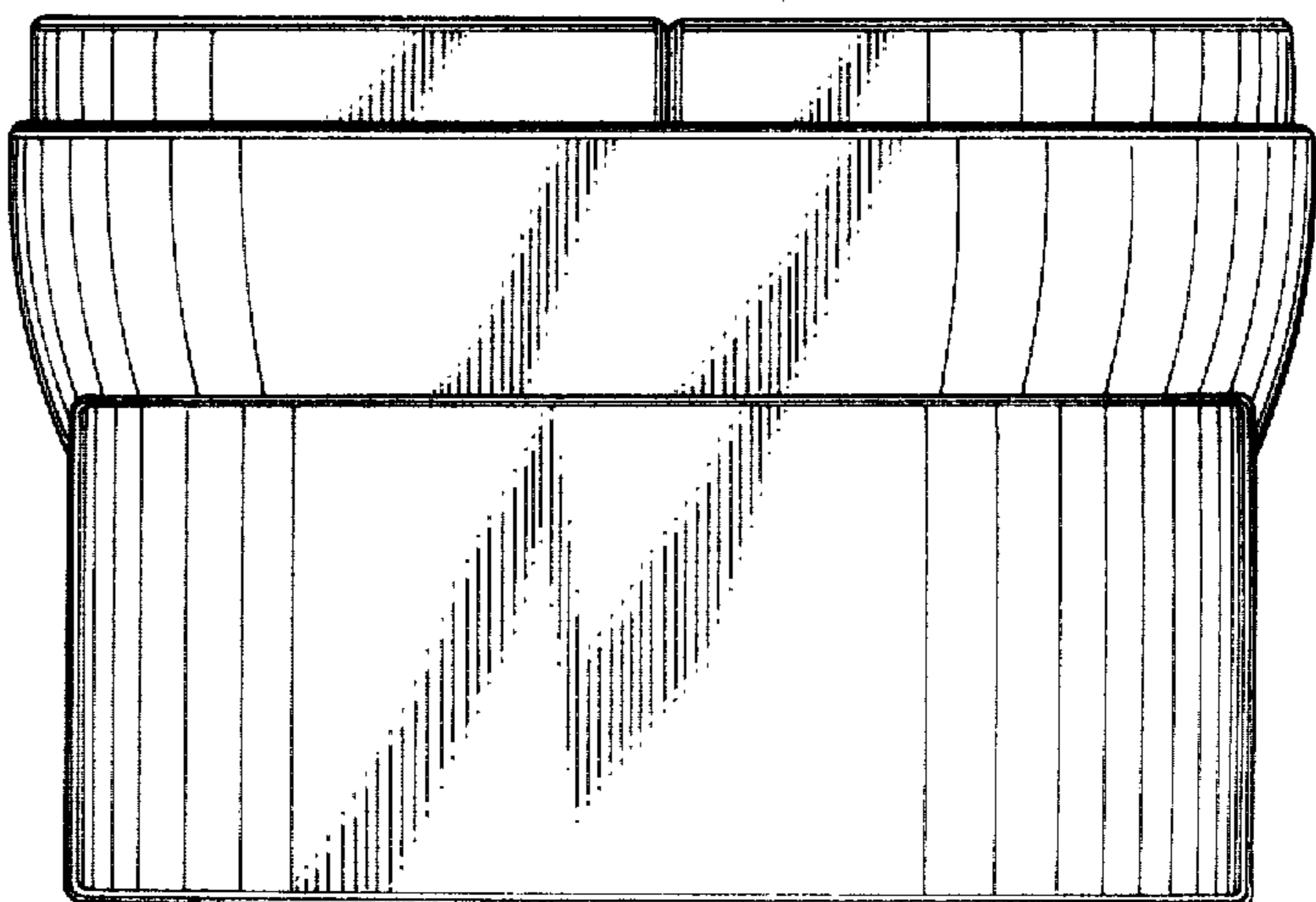


FIG. 4