

[54] BICYCLE LIGHT

[76] Inventor: **Knut O. Sassmannshausen**,  
Rothenbach, 6580 Idar-Oberstein 3,  
Fed. Rep. of Germany

[\*\*] Term: **14 Years**

[21] Appl. No.: **175,446**

[22] Filed: **Aug. 5, 1980**

[30] Foreign Application Priority Data

Feb. 7, 1980 [DE] Fed. Rep. of Germany .... MR 1496

[51] Int. Cl. .... **D26-06**

[52] U.S. Cl. .... **D26/28**

[58] Field of Search ..... **D26/24, 28, 29, 30,**  
**D26/31, 34, 35, 36, 37; 362/61, 235, 250, 307,**  
**310, 311, 362, 363, 72**

[56] References Cited

U.S. PATENT DOCUMENTS

D. 255,839 7/1980 Sassmannshausen ..... D26/37

FOREIGN PATENT DOCUMENTS

2122836 11/1972 Fed. Rep. of Germany ..... 362/72  
2514080 10/1975 Fed. Rep. of Germany ..... 362/72

OTHER PUBLICATIONS

American Bicyclist & Motorcyclist, 11-1978, p. 40,  
Moped Lamp (left).

Primary Examiner—Susan J. Lucas

Attorney, Agent, or Firm—Herbert L. Lerner

[57] CLAIM

The ornamental design for the bicycle light, as shown.

DESCRIPTION

FIG. 1 is a perspective view of the bicycle light showing my new design;

FIG. 2 is a front elevational view thereof;

FIG. 3 is a side elevational view thereof;

FIG. 4 is a top plan view thereof;

FIG. 5 is a rear elevational view thereof; and

FIG. 6 is a bottom plan view of FIG. 1.

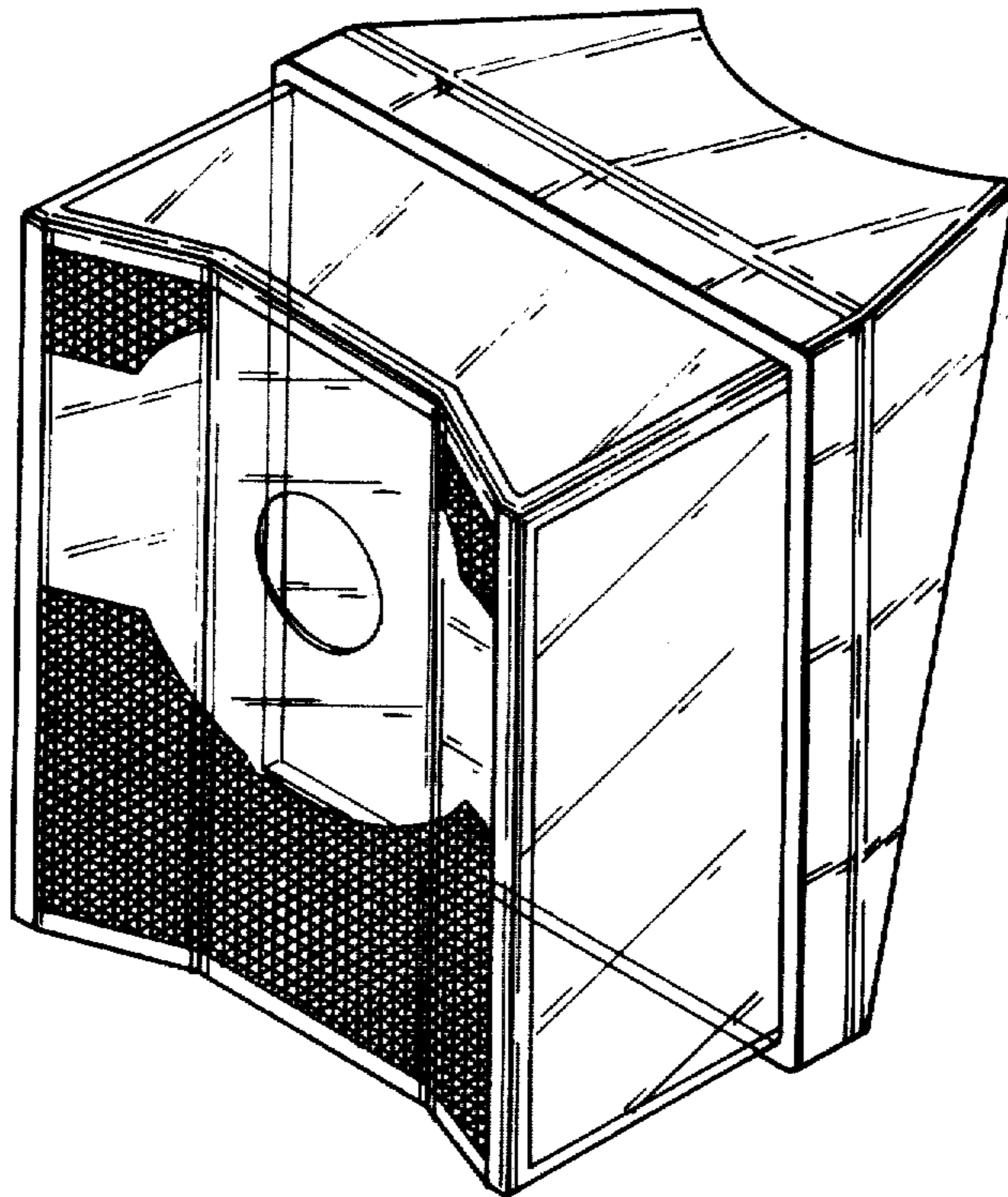


FIG. 5

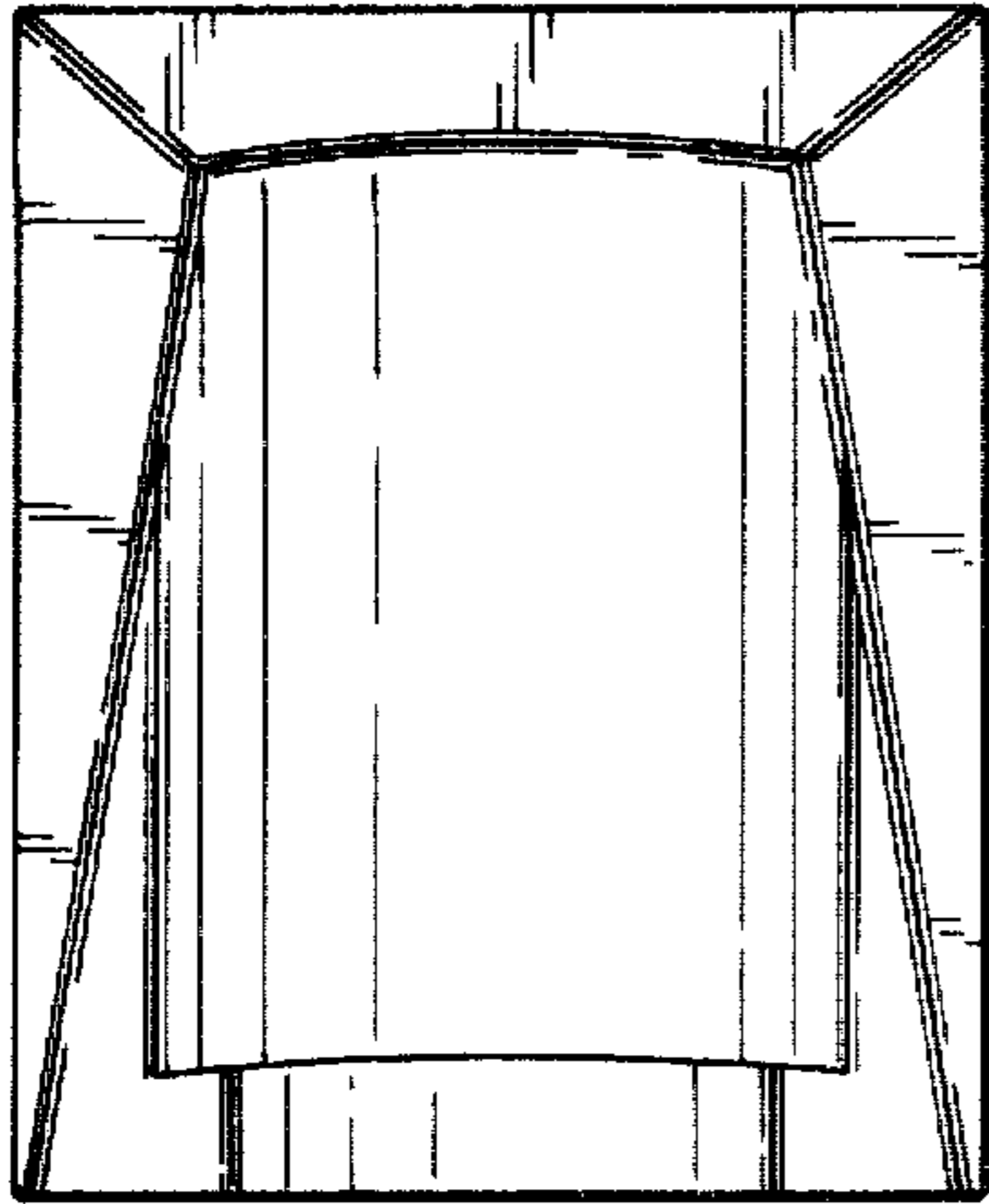


FIG. 1

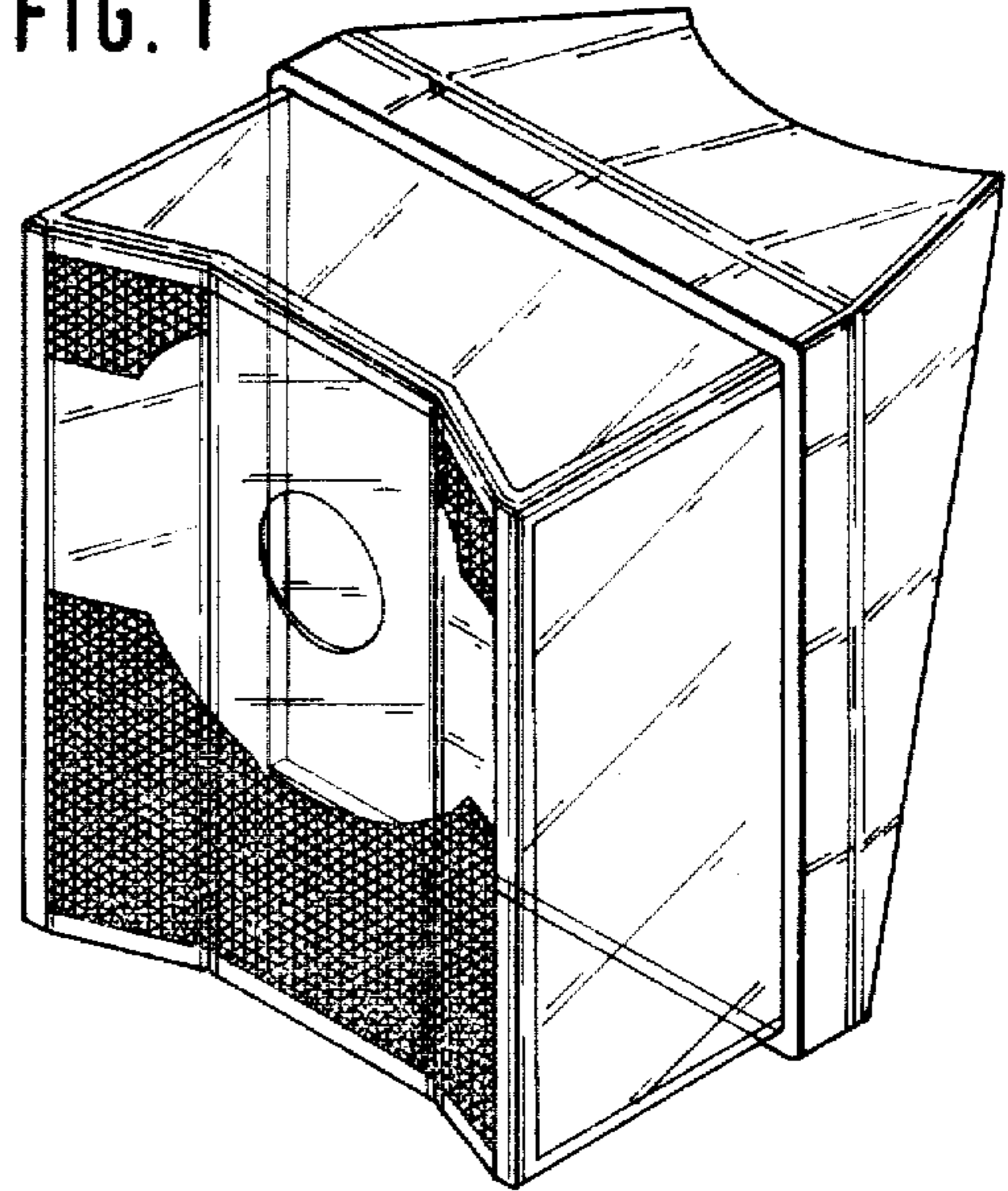


FIG. 6

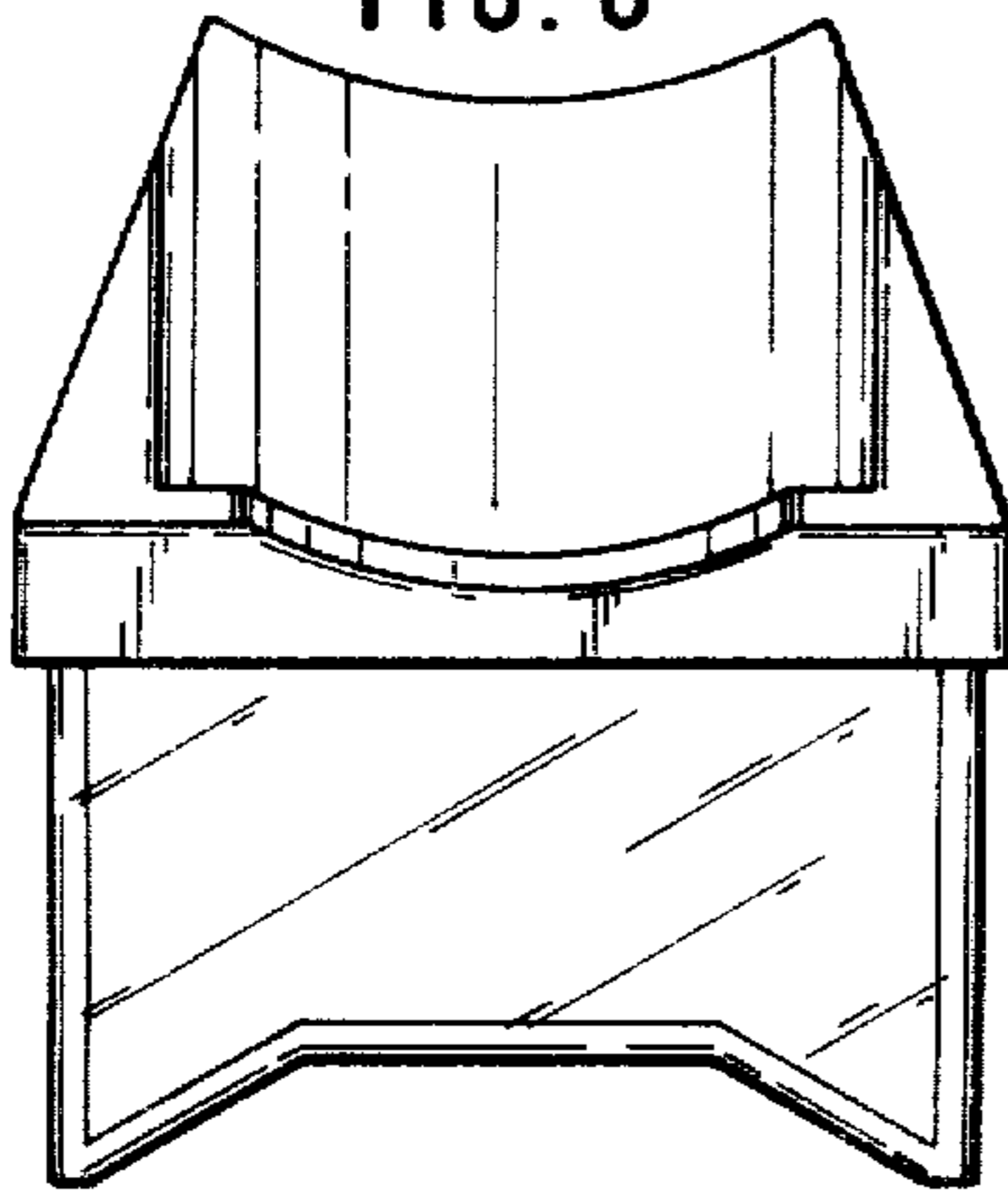


FIG. 4

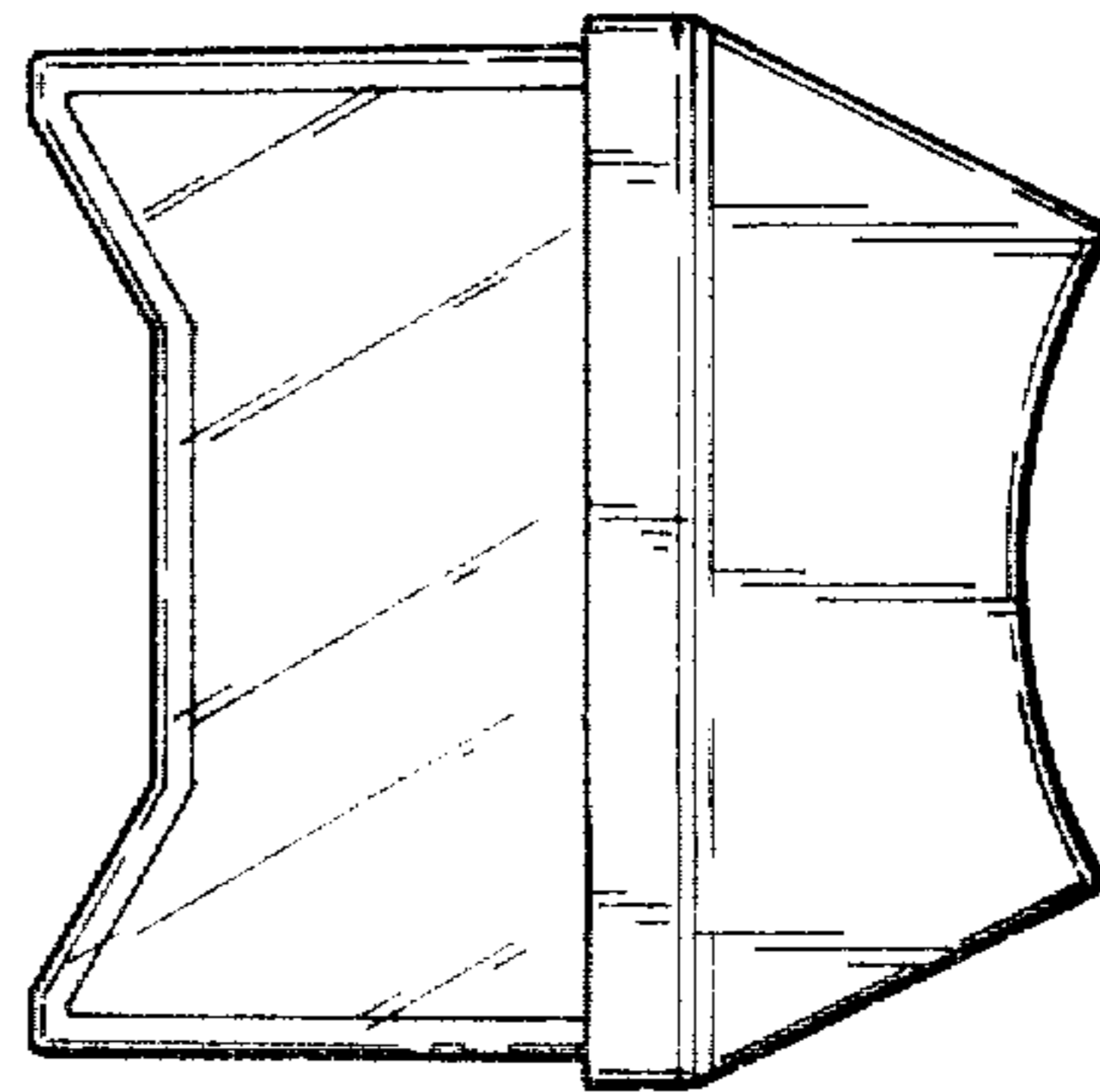


FIG. 2

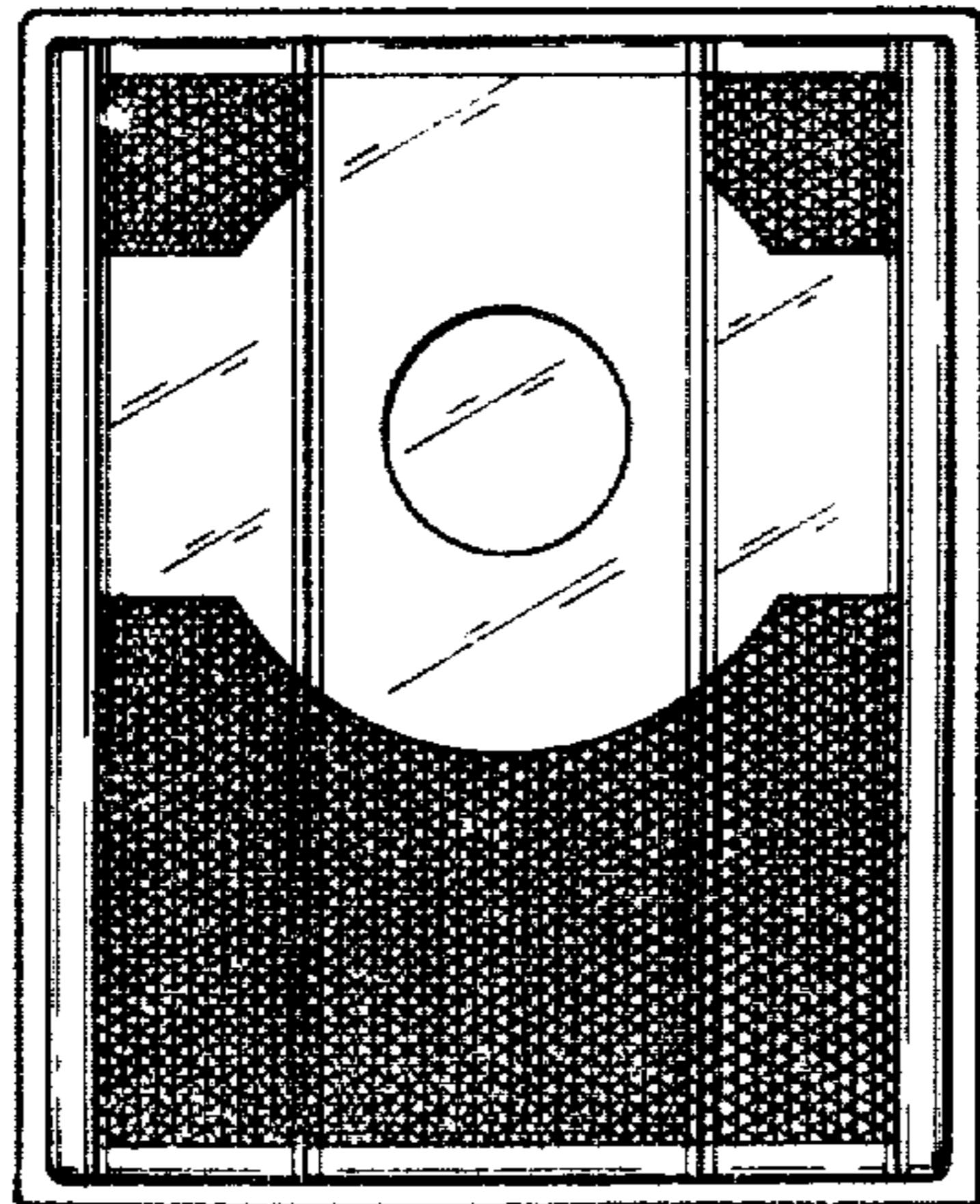


FIG. 3

