

[54] **BICYCLE LIGHT**

[76] **Inventor:** **Knut O. Sassmannshausen,**
Rothenbach, 6580 Idar-Oberstein 3,
Fed. Rep. of Germany

[**] **Term:** **14 Years**

[21] **Appl. No.:** **175,445**

[22] **Filed:** **Aug. 5, 1980**

[30] **Foreign Application Priority Data**

Feb. 7, 1980 [DE] Fed. Rep. of Germany MR 1496

[51] **Int. Cl.** **D26—06**

[52] **U.S. Cl.** **D26/28**

[58] **Field of Search** **D26/24, 28, 29, 30,**
D26/31, 34, 35, 36, 37; 362/61, 72, 235, 250,
307, 310, 311, 362, 363

[56] **References Cited**

U.S. PATENT DOCUMENTS

D. 255,839 7/1980 Sassmannshausen D26/37
3,941,994 3/1976 Petty D26/28 X

Primary Examiner—Susan J. Lucas
Attorney, Agent, or Firm—Herbert L. Lerner

[57] **CLAIM**

The ornamental design for the bicycle light, as shown.

DESCRIPTION

FIG. 1 is a perspective view of the bicycle light showing my new design;

FIG. 2 is a front elevational view thereof;

FIG. 3 is a side elevational view thereof;

FIG. 4 is a top plan view thereof; and

FIG. 5 is a rear elevational view thereof.

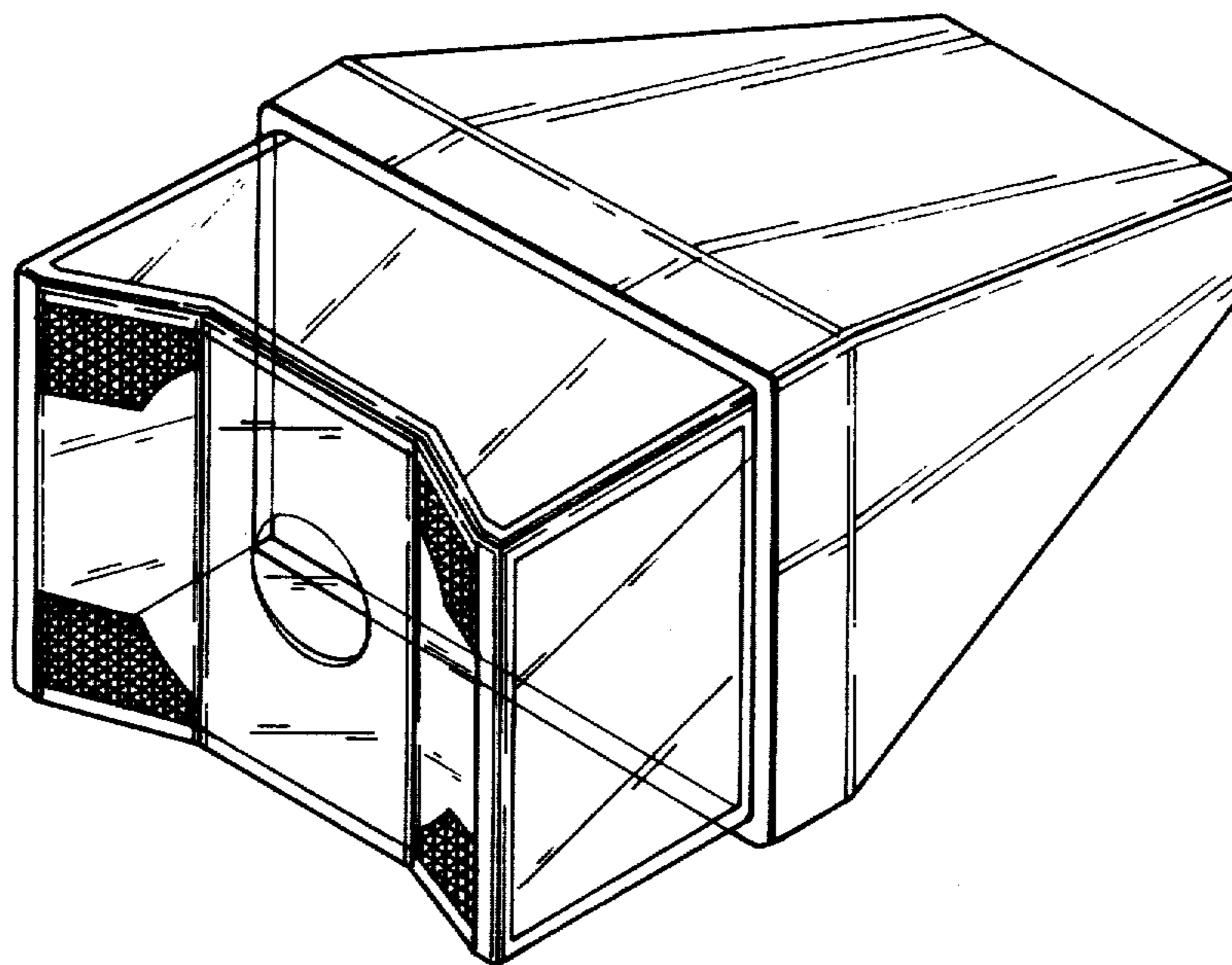


FIG. 1

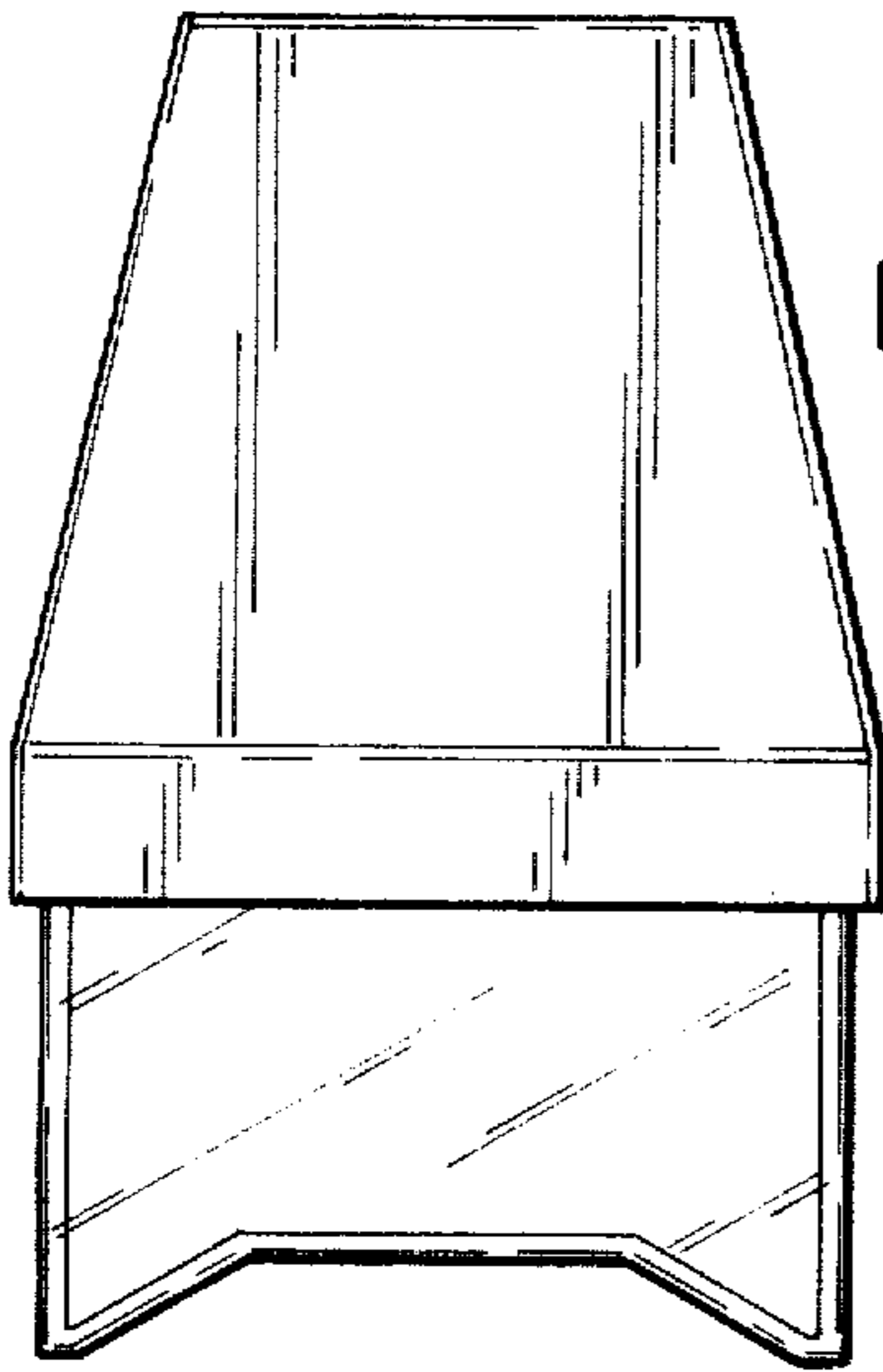
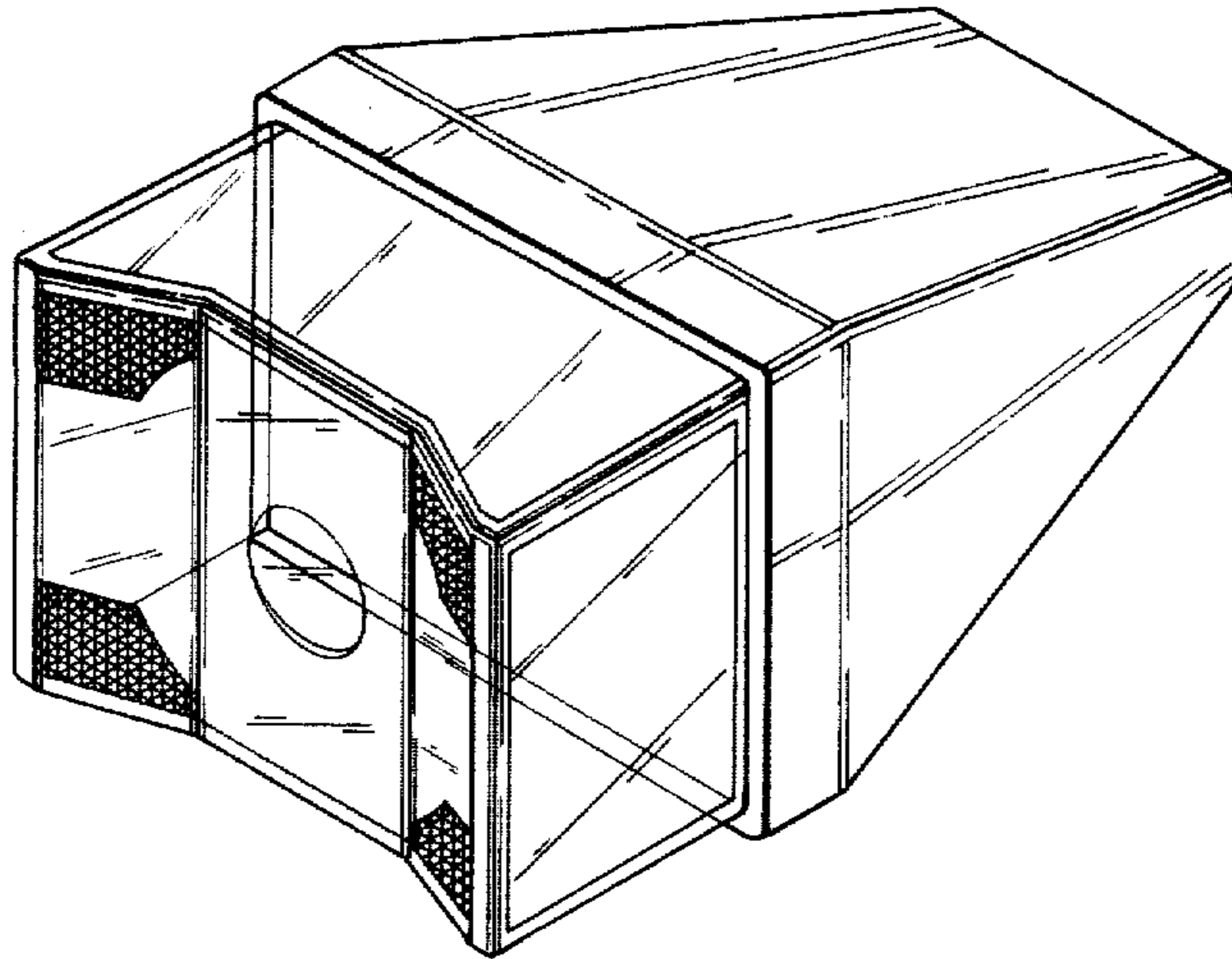


FIG. 2

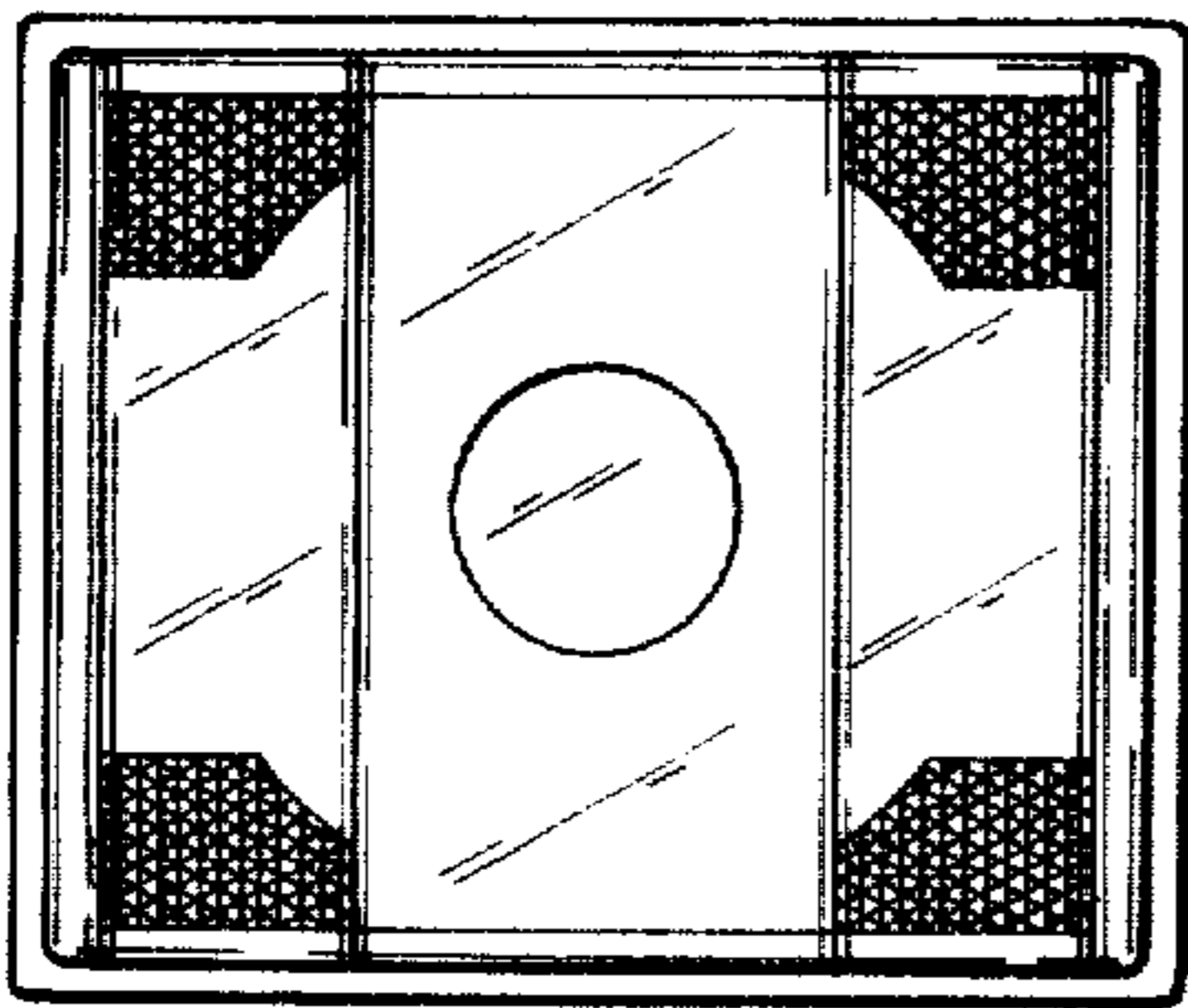


FIG. 5

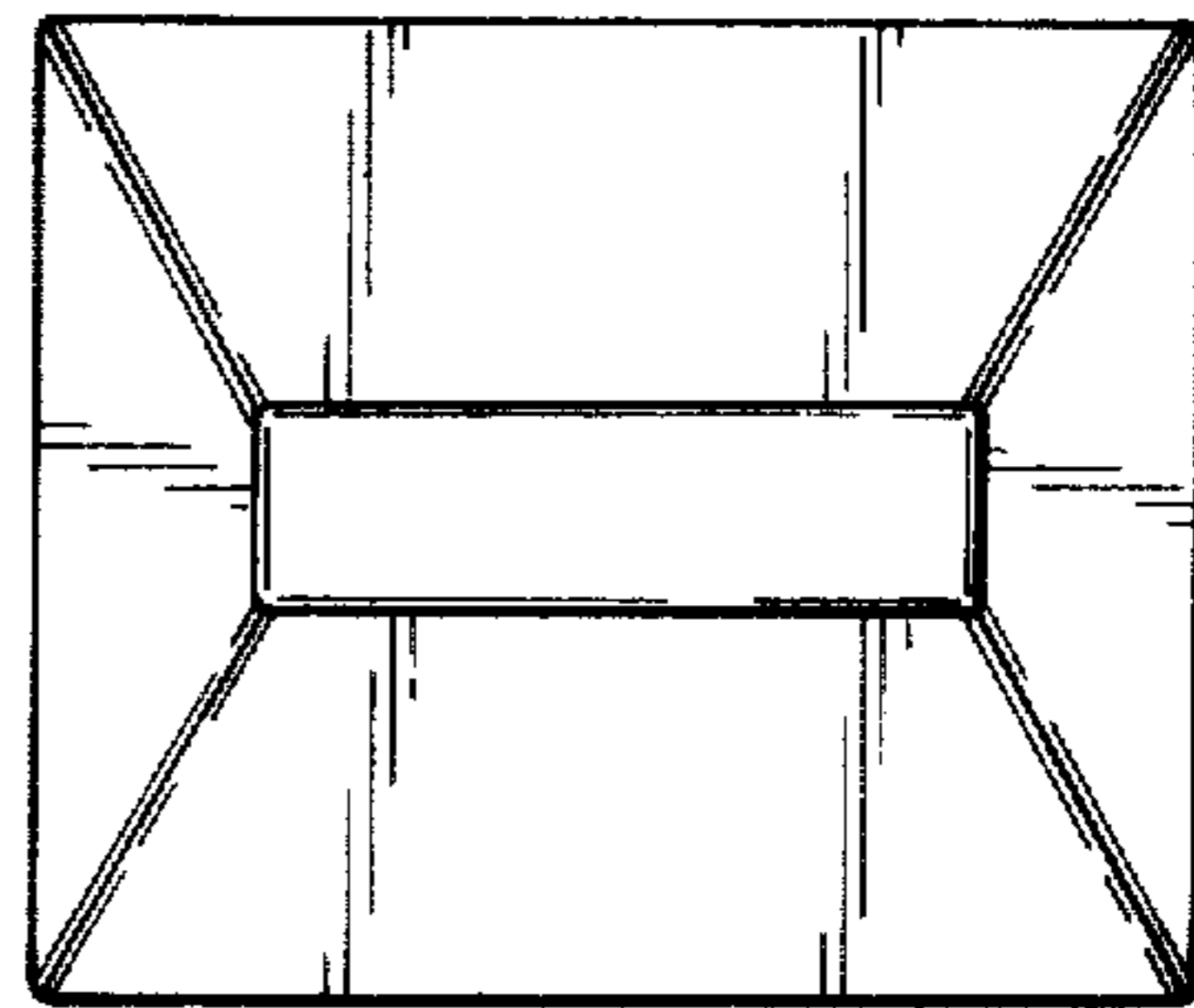


FIG. 4

FIG. 3

