

[54] FRAME MEMBER FOR WINDOWS OR THE LIKE

[76] Inventor: Dietrich F. Schmidt, 375 N. 29th St., Camp Hill, Pa. 17011

[\*\*] Term: 14 Years

[21] Appl. No.: 186,725

[22] Filed: Sep. 11, 1980

[51] Int. Cl. .... D25-01

[52] U.S. Cl. .... D25/74

[58] Field of Search ..... D25/48, 52, 73-76; 52/731, 735, 202; 49/63, 75, 504

[56] References Cited

U.S. PATENT DOCUMENTS

- D. 251,134 2/1979 Bancroft et al. .... D25/74
- D. 251,447 3/1979 Bancroft et al. .... D25/74
- D. 251,448 3/1979 Bancroft et al. .... D25/74
- 4,048,774 9/1977 Yamamoto ..... D25/74 X

Primary Examiner—A. Hugo Word

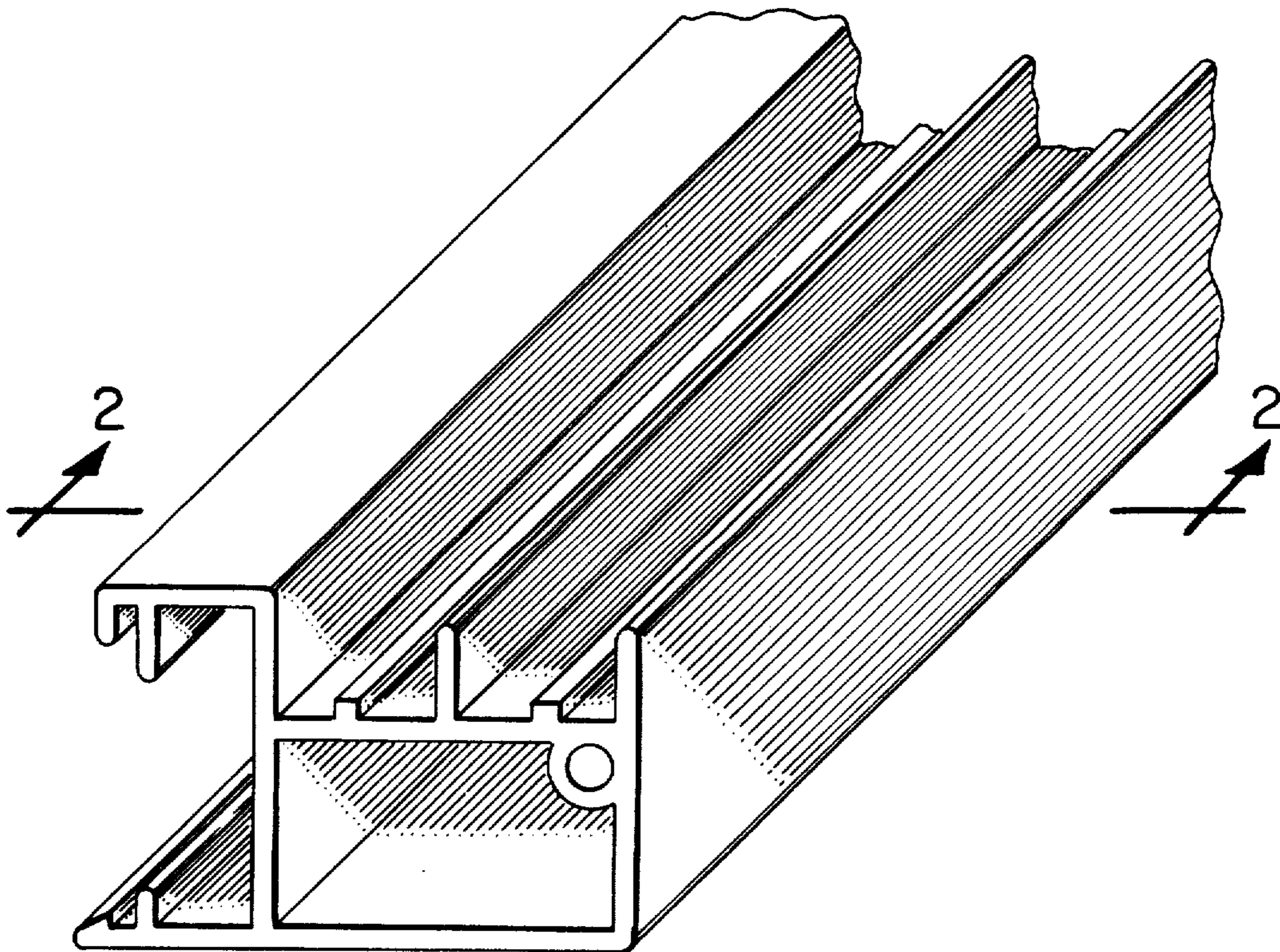
[57] CLAIM

The ornamental design for a frame member for windows or the like, substantially as shown and described.

DESCRIPTION

FIG. 1 is a perspective view of a frame member for windows or the like embodying my new design, shown fragmentarily to indicate indeterminate length.

FIG. 2 is a sectional view thereof, taken along line 2-2 of FIG. 1.



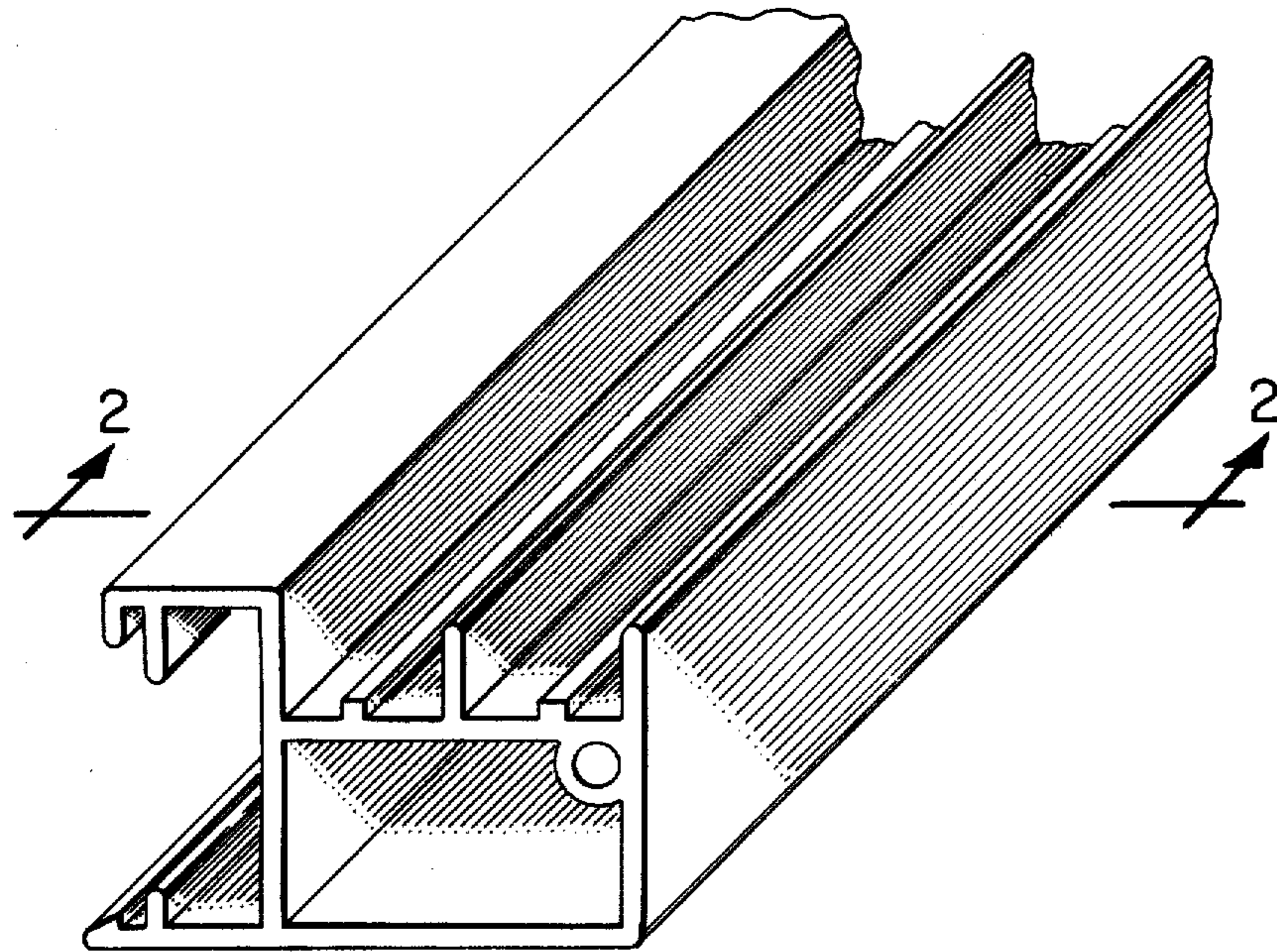


FIG. 1.

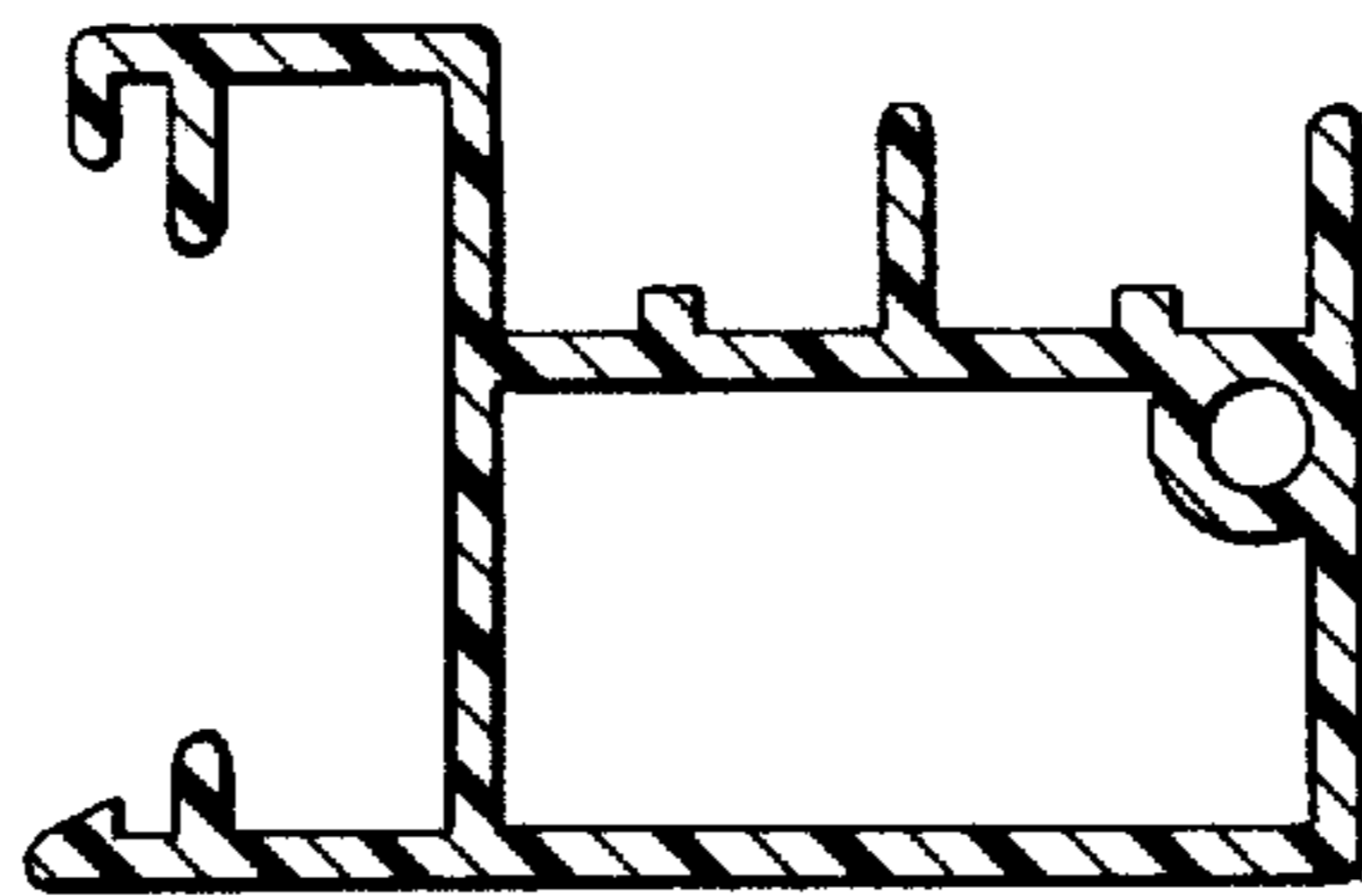


FIG. 2.

UNITED STATES PATENT AND TRADEMARK OFFICE  
**CERTIFICATE OF CORRECTION**

PATENT NO. : D 267,746  
DATED : January 25, 1983  
INVENTOR(S) : DIETRICH F. SCHMIDT

It is certified that error appears in the above-identified patent and that said Letters Patent is hereby corrected as shown below:

On the title page insert:

-- [73] Assignee: CAPITOL PRODUCTS CORPORATION --.

**Signed and Sealed this**  
*Twenty-ninth Day of May 1984*

[SEAL]

*Attest:*

*Attesting Officer*

**GERALD J. MOSSINGHOFF**

*Commissioner of Patents and Trademarks*