

[54] HOUSING FOR A DENTAL LIGHT INSTRUMENT OR THE LIKE

[75] Inventor: Wayne C. Seeley, York, Pa.

[73] Assignee: Dentsply Research & Development Corp., Milford, Del.

[**] Term: 14 Years

[21] Appl. No.: 182,555

[22] Filed: Aug. 29, 1980

[51] Int. Cl. D24-02

[52] U.S. Cl. D24/10; D24/12

[58] Field of Search 433/29; D24/12, 10; 362/293

[56] References Cited

U.S. PATENT DOCUMENTS

- D. 224,312 7/1972 Webb et al. D24/10
- D. 224,709 9/1972 Coolidge et al. D24/10
- 4,095,881 6/1976 Maddox 362/293 X

4,206,494 6/1980 Lovering 362/293 X

Primary Examiner—Bernard Ansher
Attorney, Agent, or Firm—C. Hercus Just

[57] CLAIM

The design of a housing for a dental light instrument or the like, as shown and described.

DESCRIPTION

FIG. 1 is a top plan view of my design.

FIG. 2 is a front elevation thereof as seen from the right-hand side of FIG. 1.

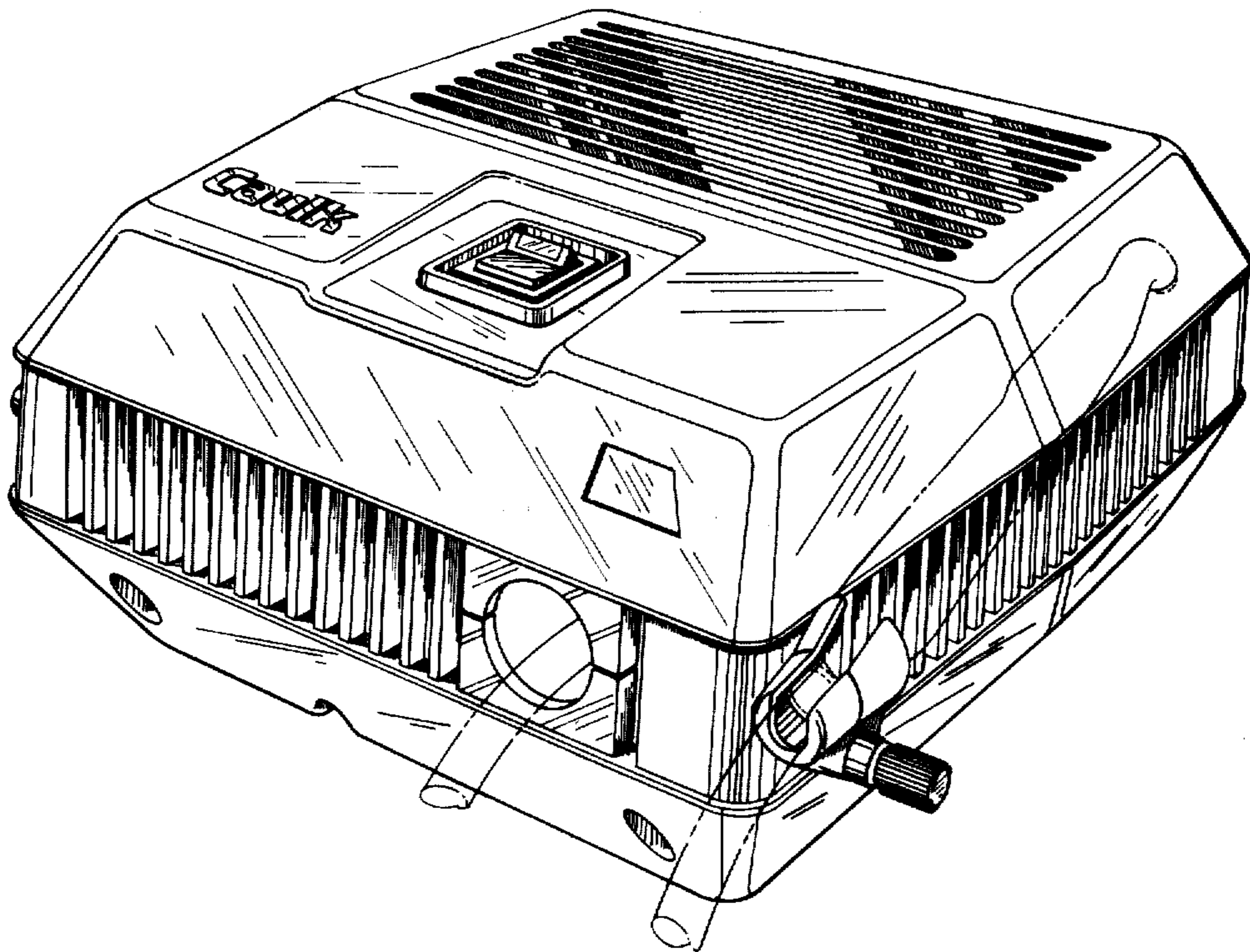
FIG. 3 is a side view thereof as seen from the bottom side of FIG. 1 and the opposite side is a mirror image thereof.

FIG. 4 is a view of the rear side opposite FIG. 2.

FIG. 5 is a bottom plan view thereof.

FIG. 6 is a perspective view of my design, showing in phantom a handpiece supported by the unit.

The broken lines are shown for illustrative purposes only.



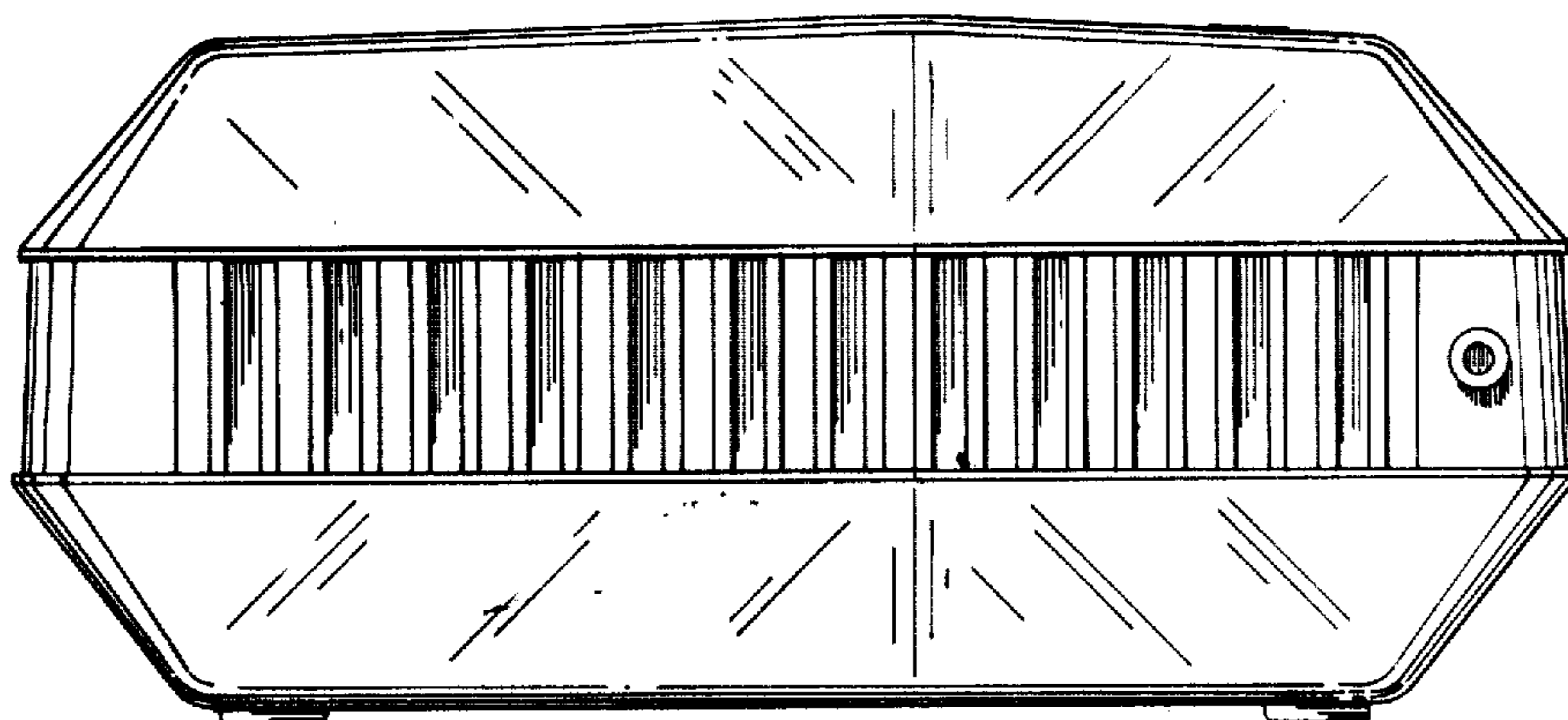


FIG 3

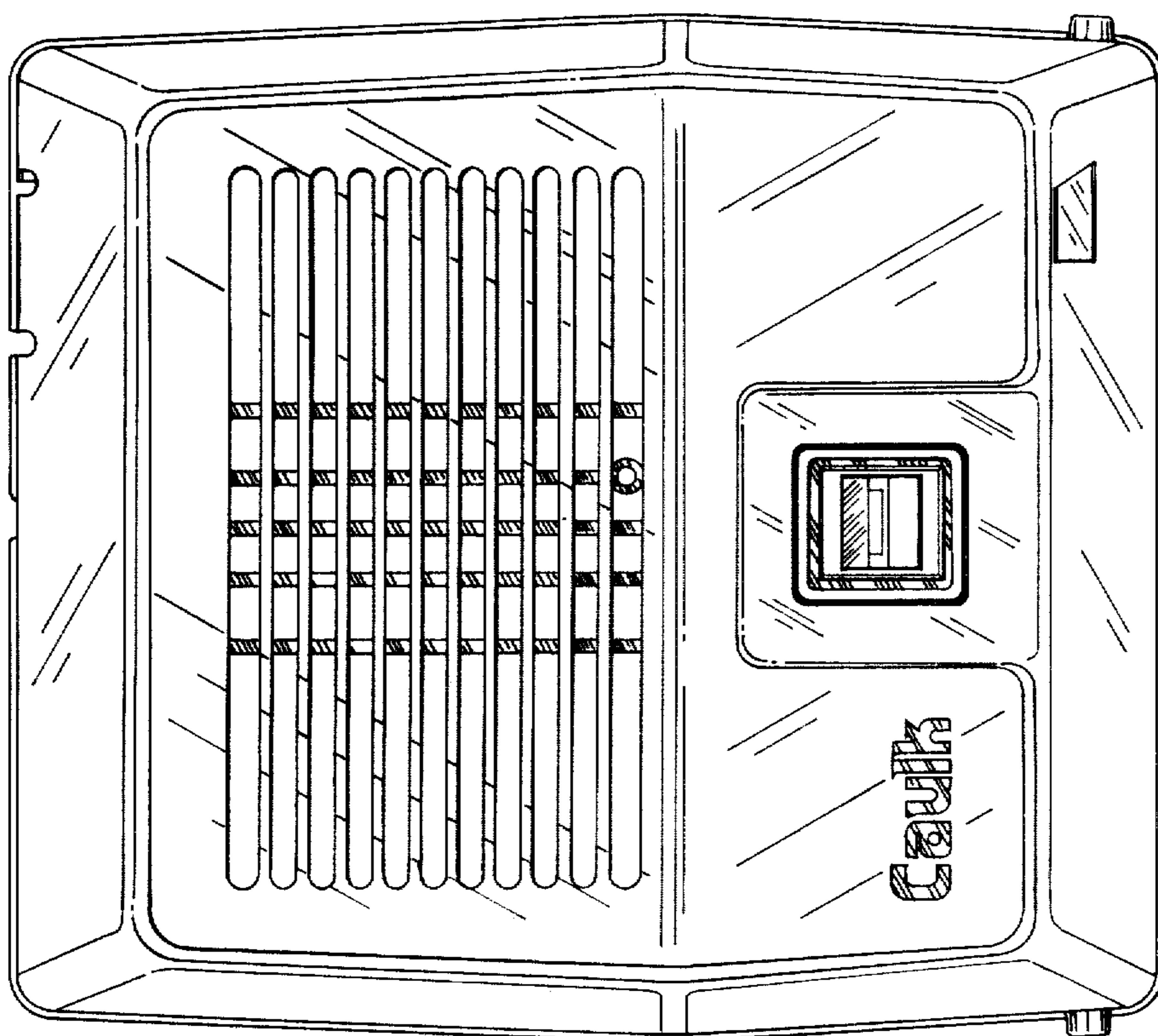


FIG 1

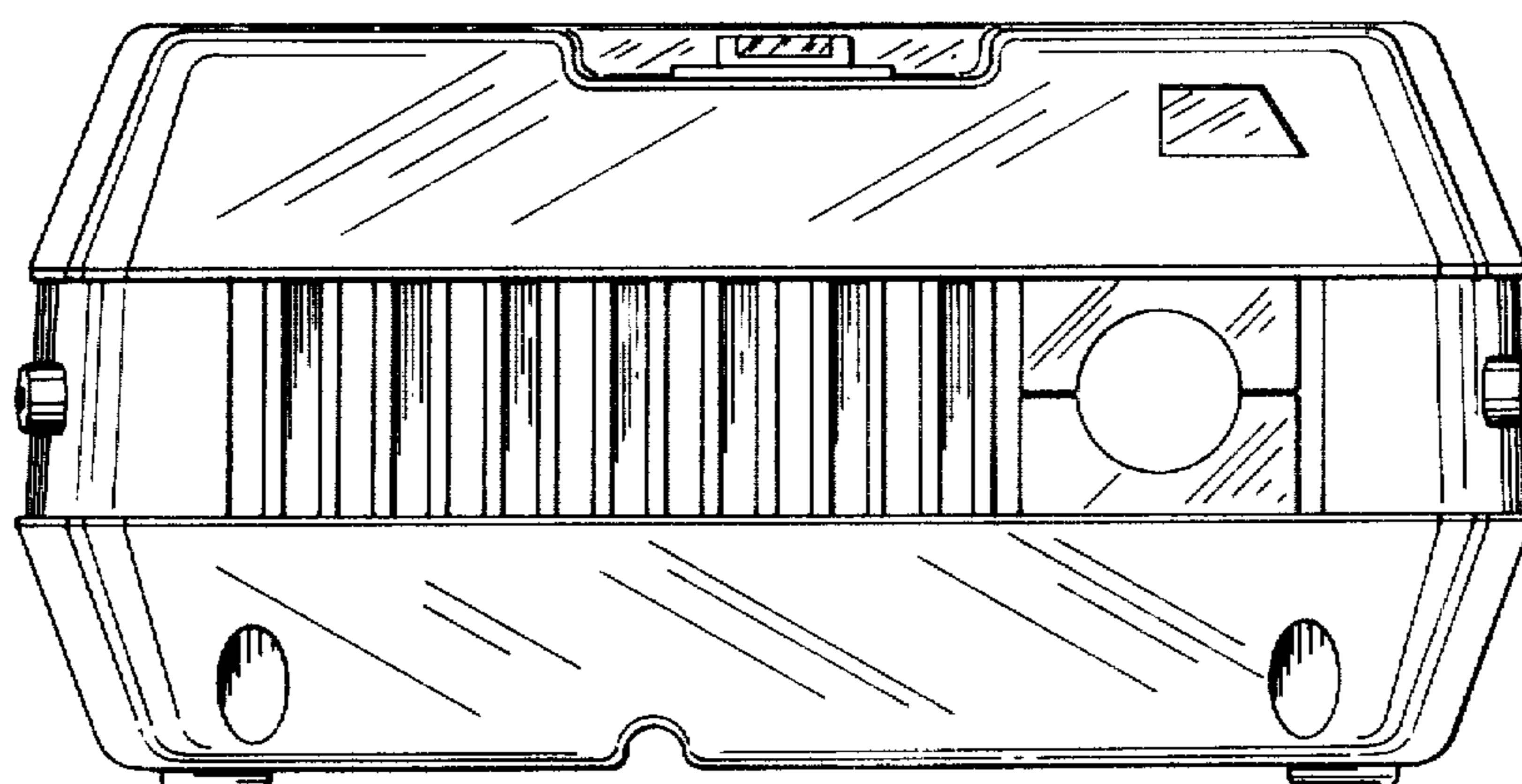


FIG 2

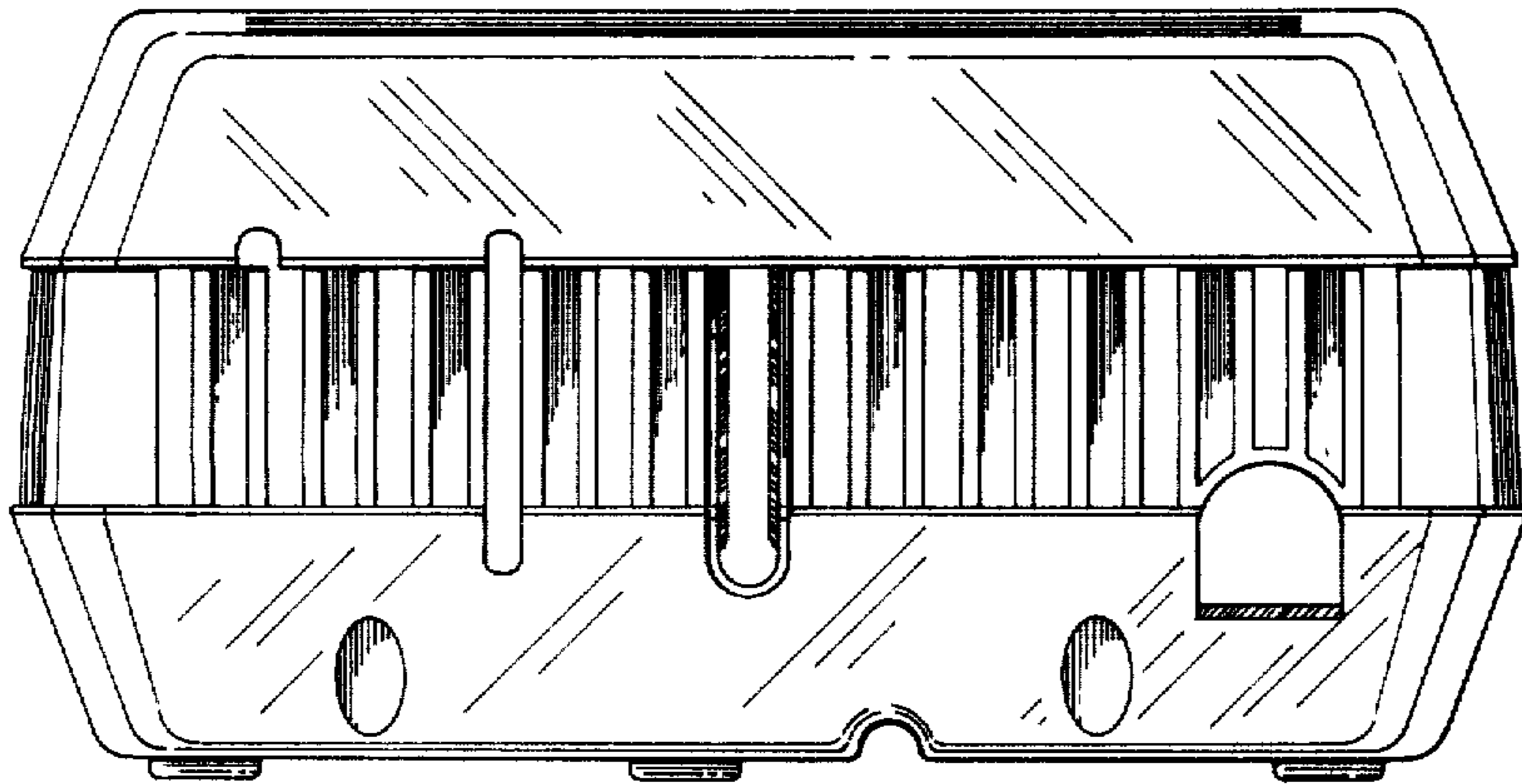


FIG 4

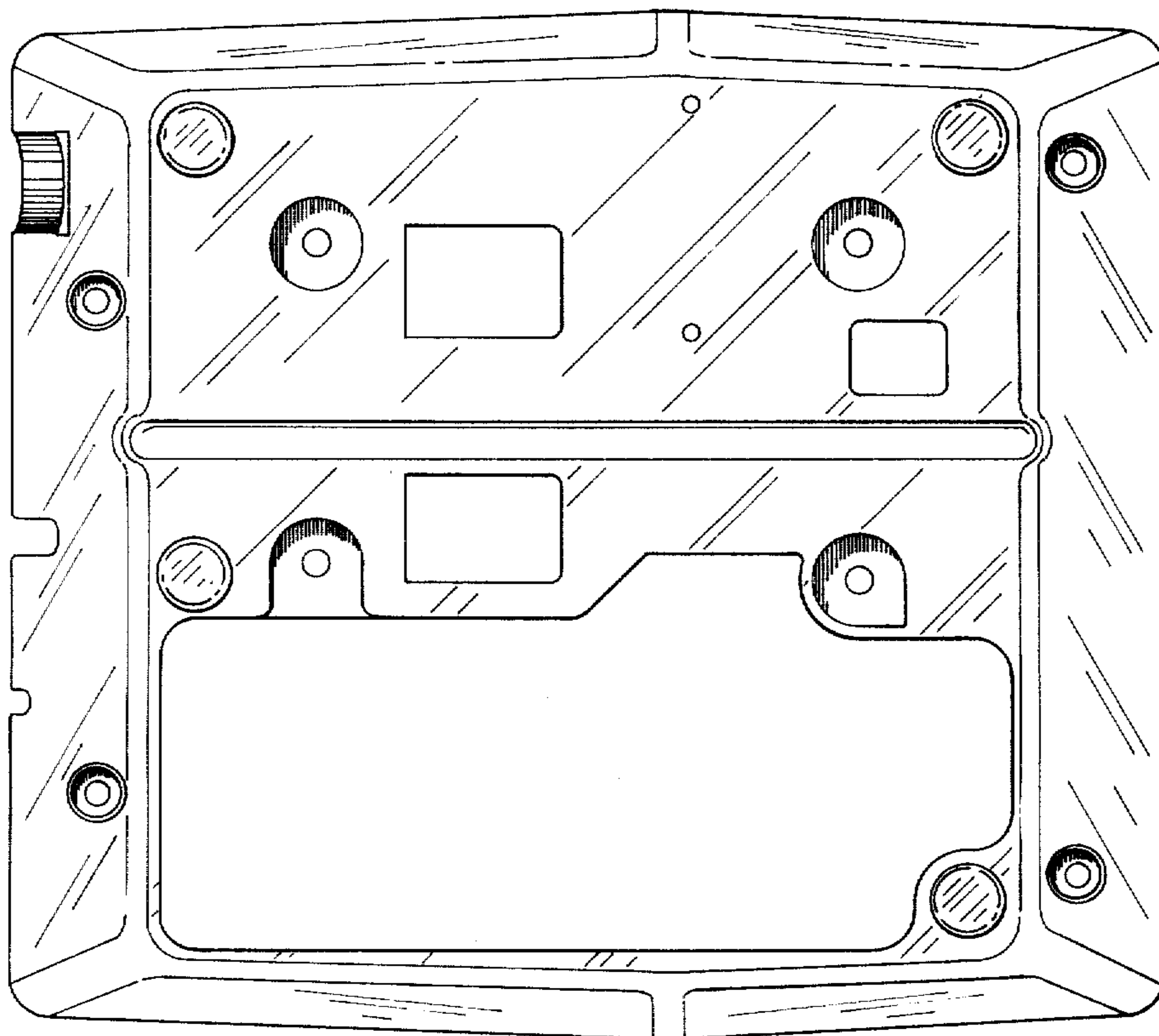


FIG 5

FIG 6

