

[54] FIREPLACE INSERT

[75] Inventors: Robert A. Geiter, Coventry; Peter S. Albertsen, Warwick, both of R.I.; Robert A. Powell, Louisville, Ky.

[73] Assignee: Jamestown Group, Providence, R.I.

[**] Term: 14 Years

[21] Appl. No.: 279,241

[22] Filed: Jun. 29, 1981

[51] Int. Cl. D23-03

[52] U.S. Cl. D23/94

[58] Field of Search D23/72, 92-97; 126/4, 6, 58, 60-66, 120, 121, 123, 126, 135, 136, 138

[56] References Cited

U.S. PATENT DOCUMENTS

- D. 259,275 5/1981 Berryhill D23/94
- D. 262,308 12/1981 Christopher D23/94
- D. 263,492 3/1982 Schaafsma D23/93

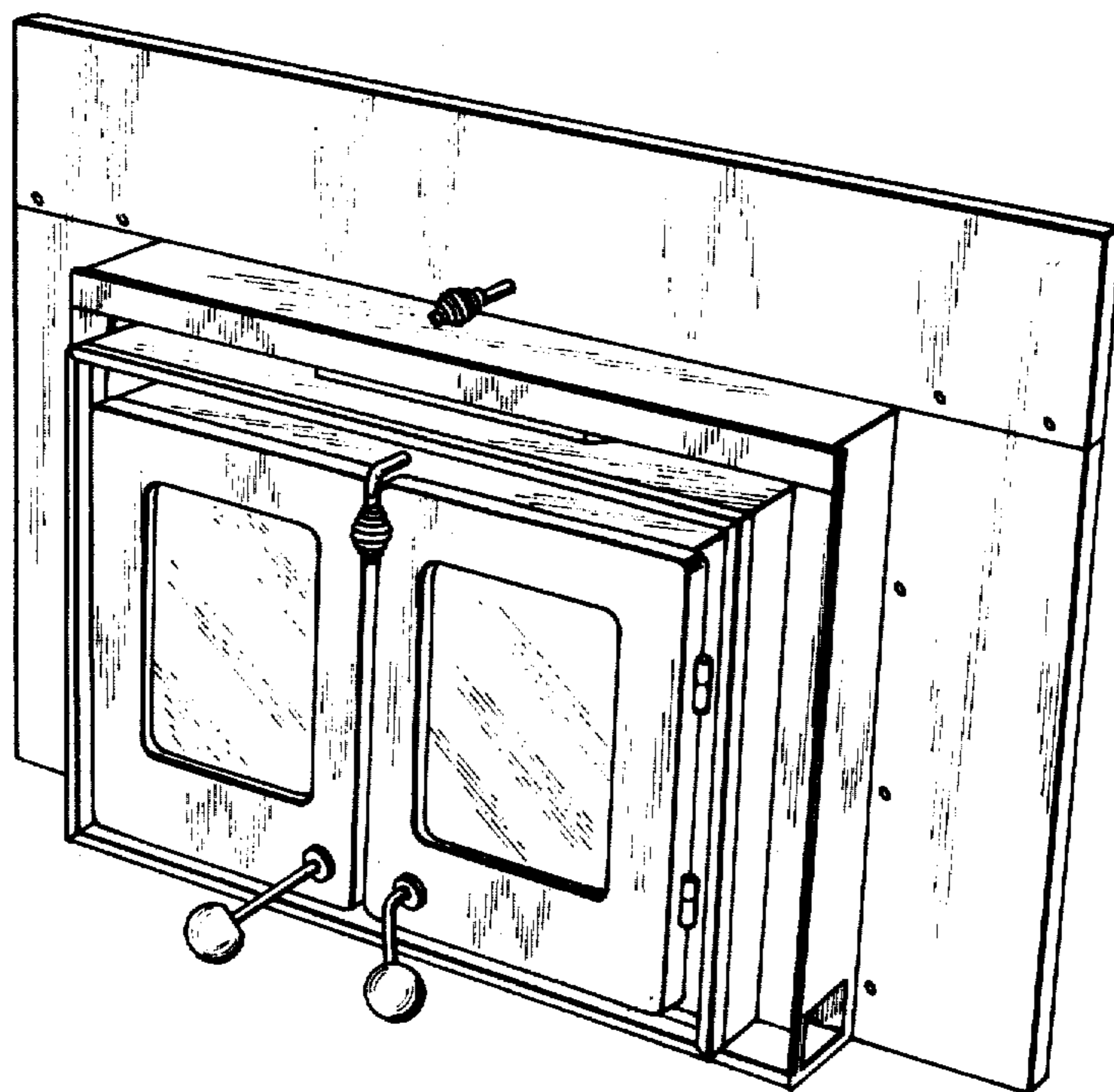
Primary Examiner—Catherine E. Kemper
Attorney, Agent, or Firm—Salter & Michaelson

[57] CLAIM

The ornamental design for a fireplace insert, substantially as shown.

DESCRIPTION

FIG. 1 is a front perspective view of a fireplace insert showing our new design;
 FIG. 2 is a rear perspective view thereof;
 FIG. 3 is a side elevational view looking from the right with respect to FIG. 1;
 FIG. 4 is a side elevational view looking from the left with respect to FIG. 1;
 FIG. 5 is a top plan view; and
 FIG. 6 is a bottom plan view.



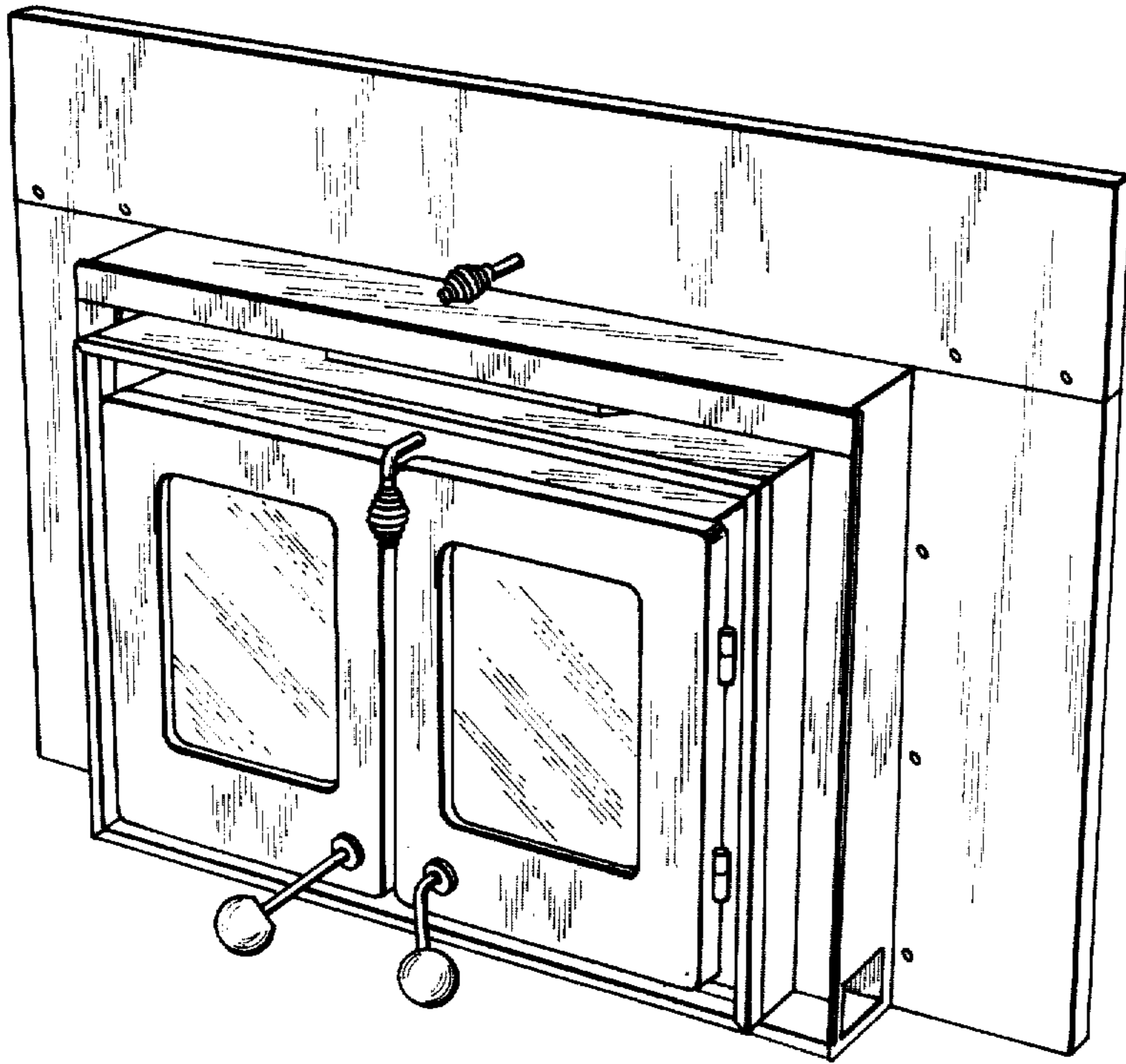


FIG. 1

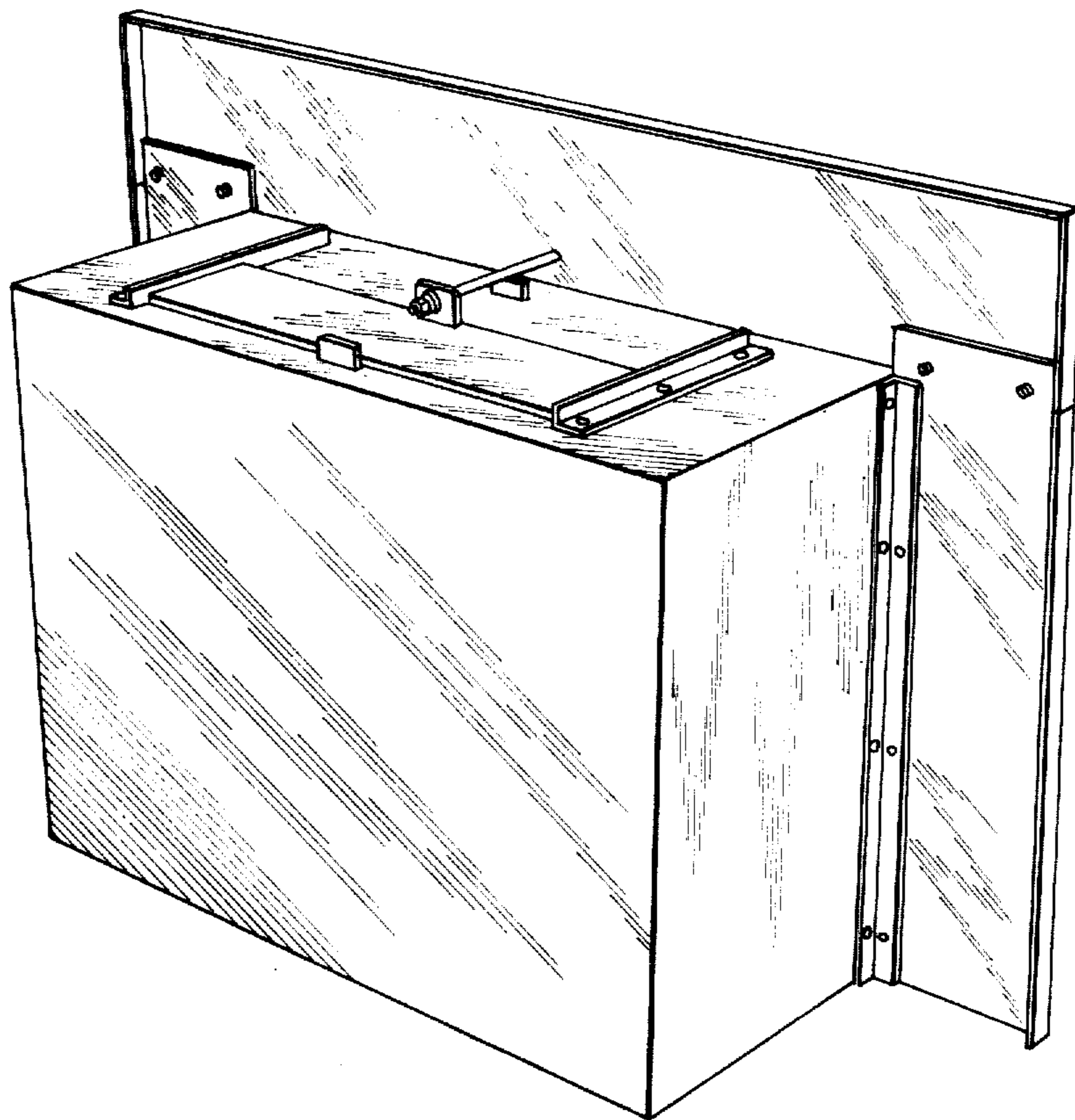


FIG. 2

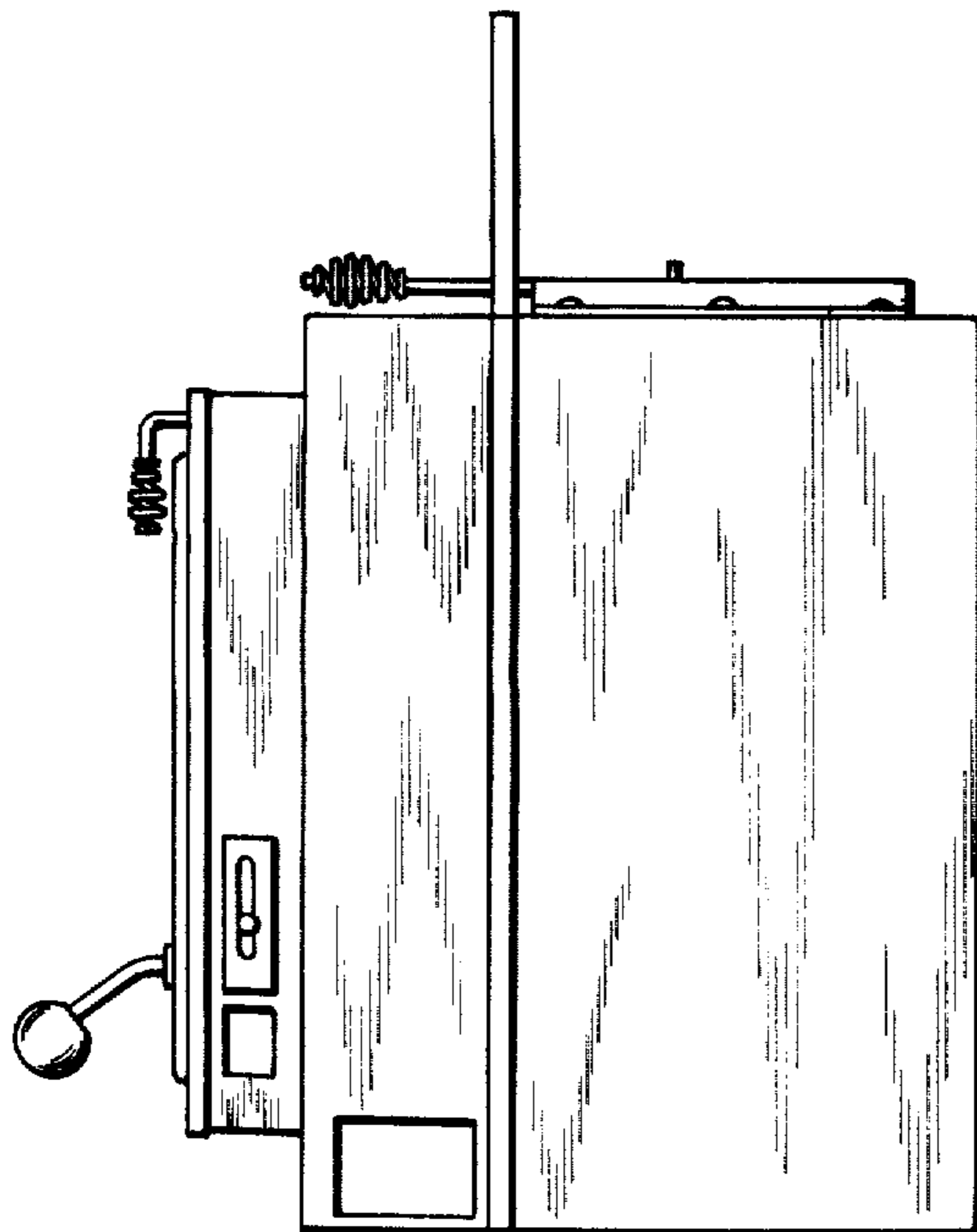


FIG. 3

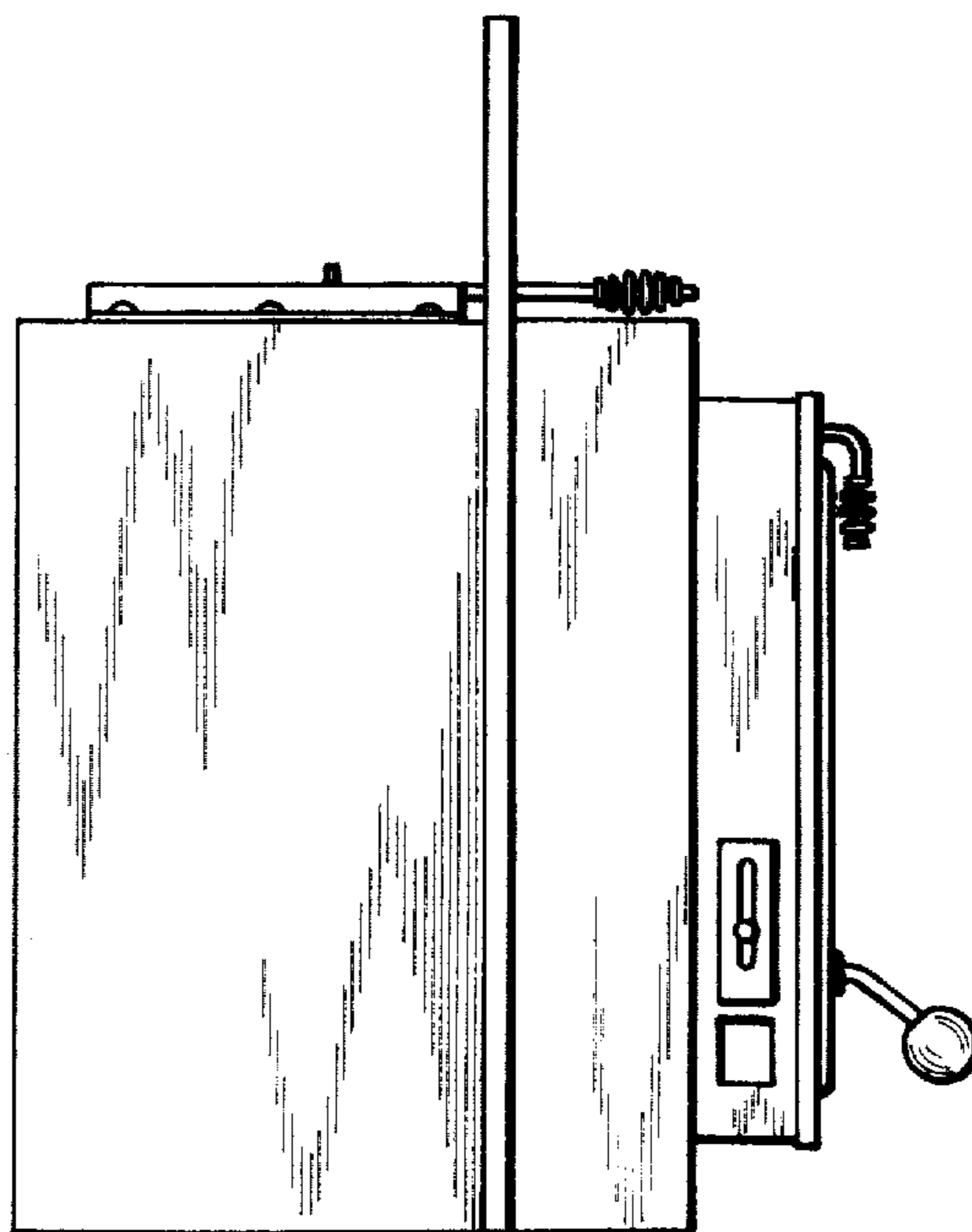


FIG. 4

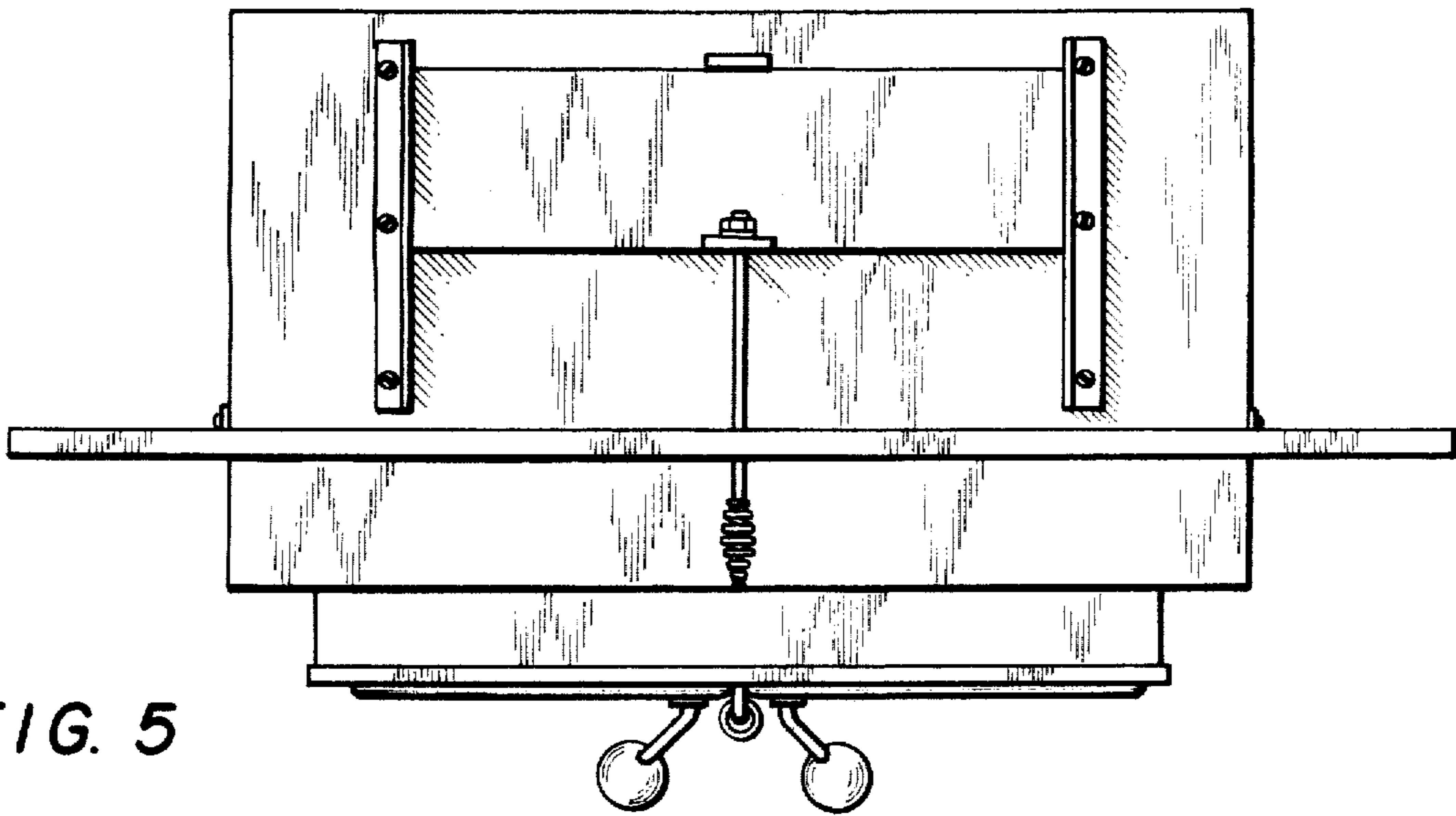


FIG. 5

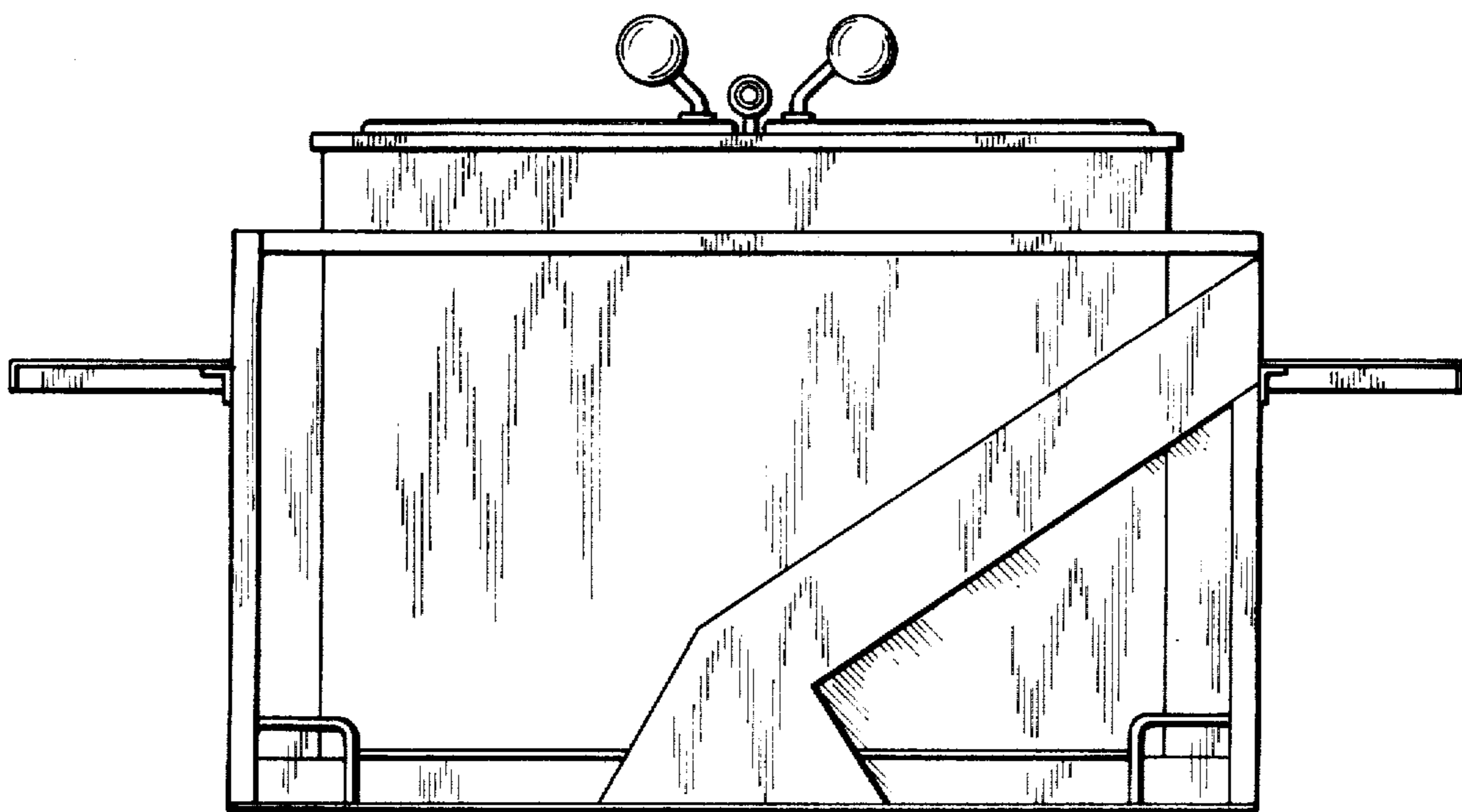


FIG. 6