

[54] GOLF PRACTICE PLATFORM

[76] Inventor: Royal W. Hughes, 3675 Gordon Rd., Elkhart, Ind. 46516

[**] Term: 14 Years

[21] Appl. No.: 223,329

[22] Filed: Jan. 8, 1981

[51] Int. Cl. D21-02

[52] U.S. Cl. D21/234

[58] Field of Search D21/234; 273/183 A, 273/183 E, 176 FA, 186 R, 186 C, 187 R

[56] References Cited

U.S. PATENT DOCUMENTS

D. 175,463 8/1955 Elesh D21/234

3,348,847 10/1967 Fischl 273/186 R
3,868,109 2/1975 Fowler 273/186 C

Primary Examiner—Melvin B. Feifer
Attorney, Agent, or Firm—Marmaduke A. Hobbs

[57] CLAIM

The ornamental design for a golf practice platform, substantially as shown.

DESCRIPTION

FIG. 1 is a perspective view of a golf practice platform, embodying the present design;
FIG. 2 is an elevational view of the end opposite the end shown in FIG. 1;
FIG. 3 is a side elevational view of the side opposite the side shown in FIG. 1;
FIG. 4 is a top plan view;
FIG. 5 is a bottom plan view.

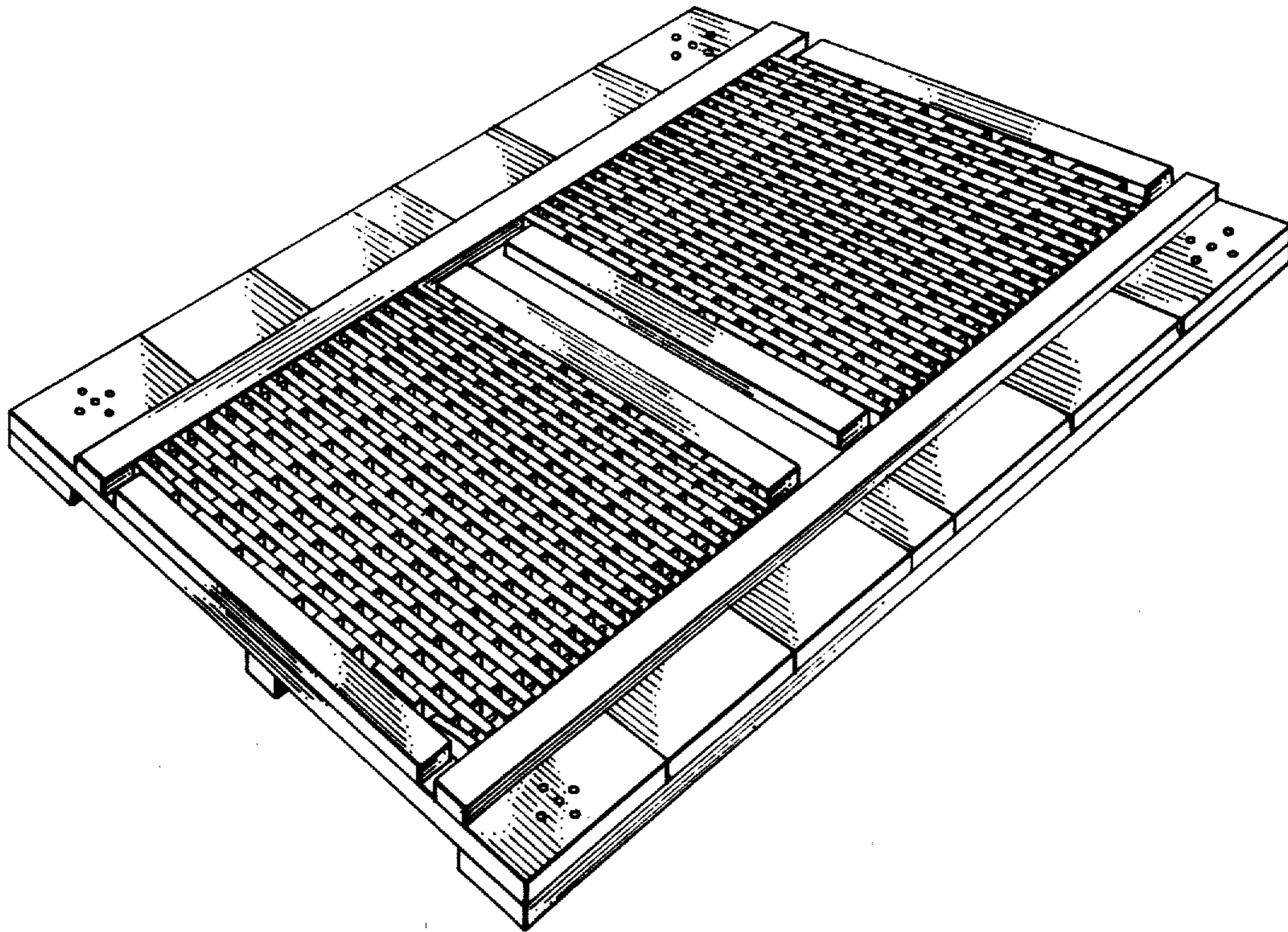


Fig. 1

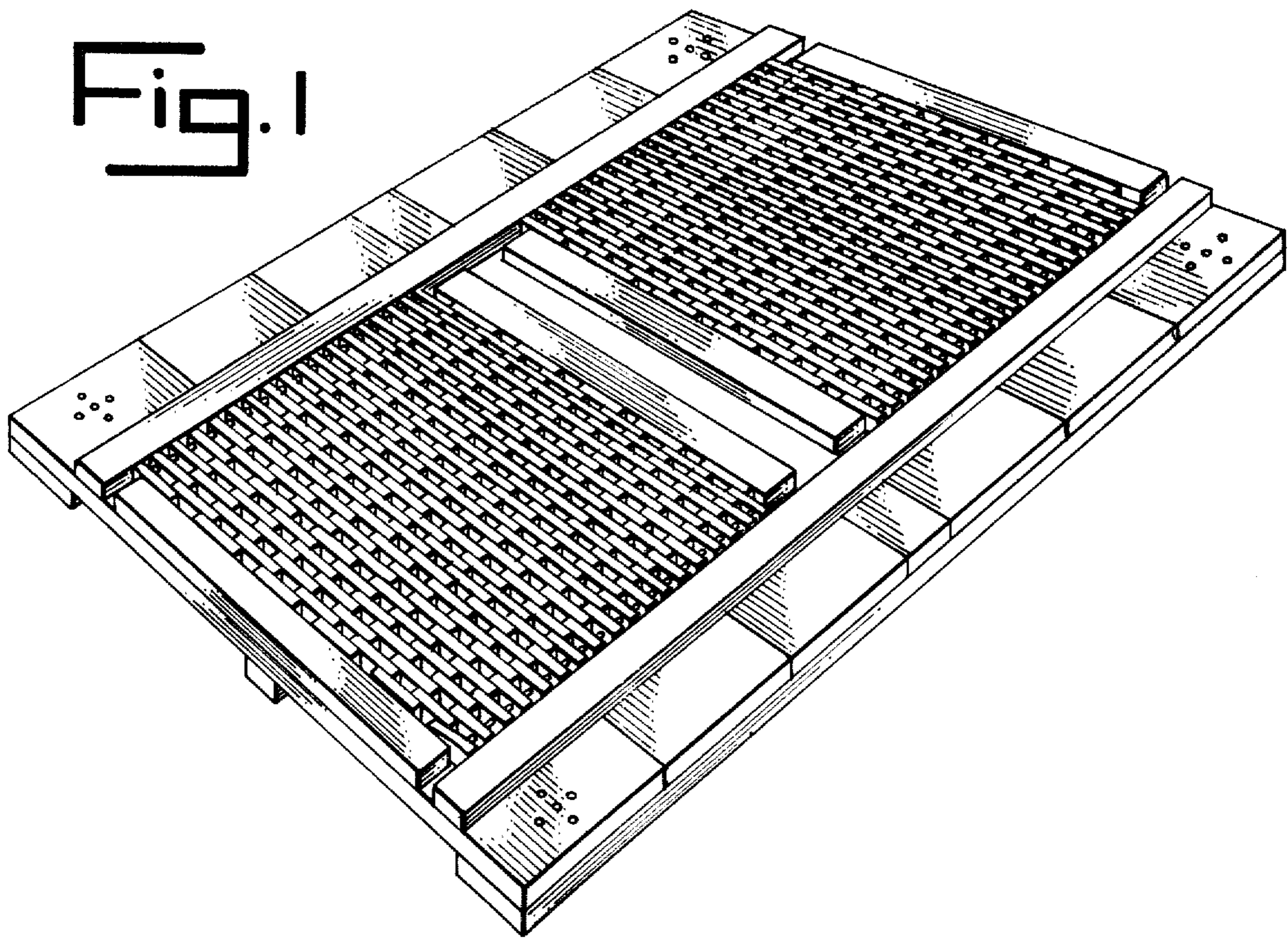


Fig. 2

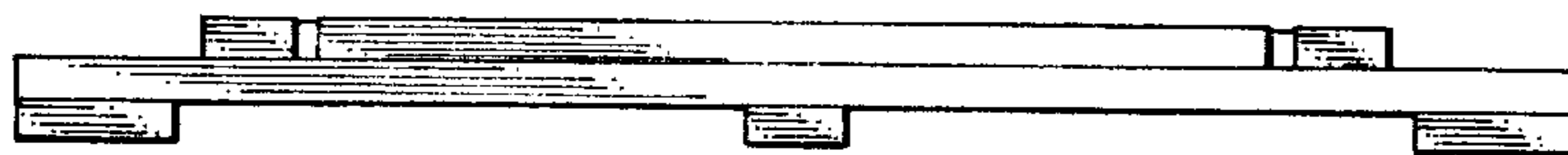


Fig. 3

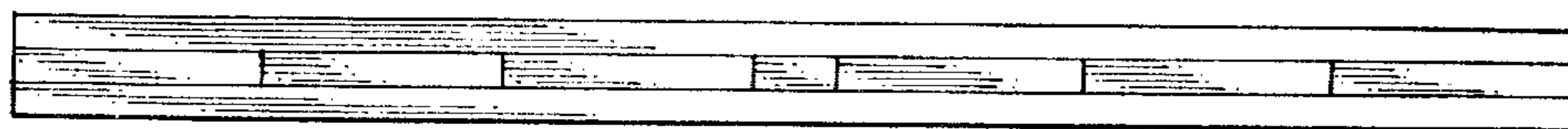


Fig. 4

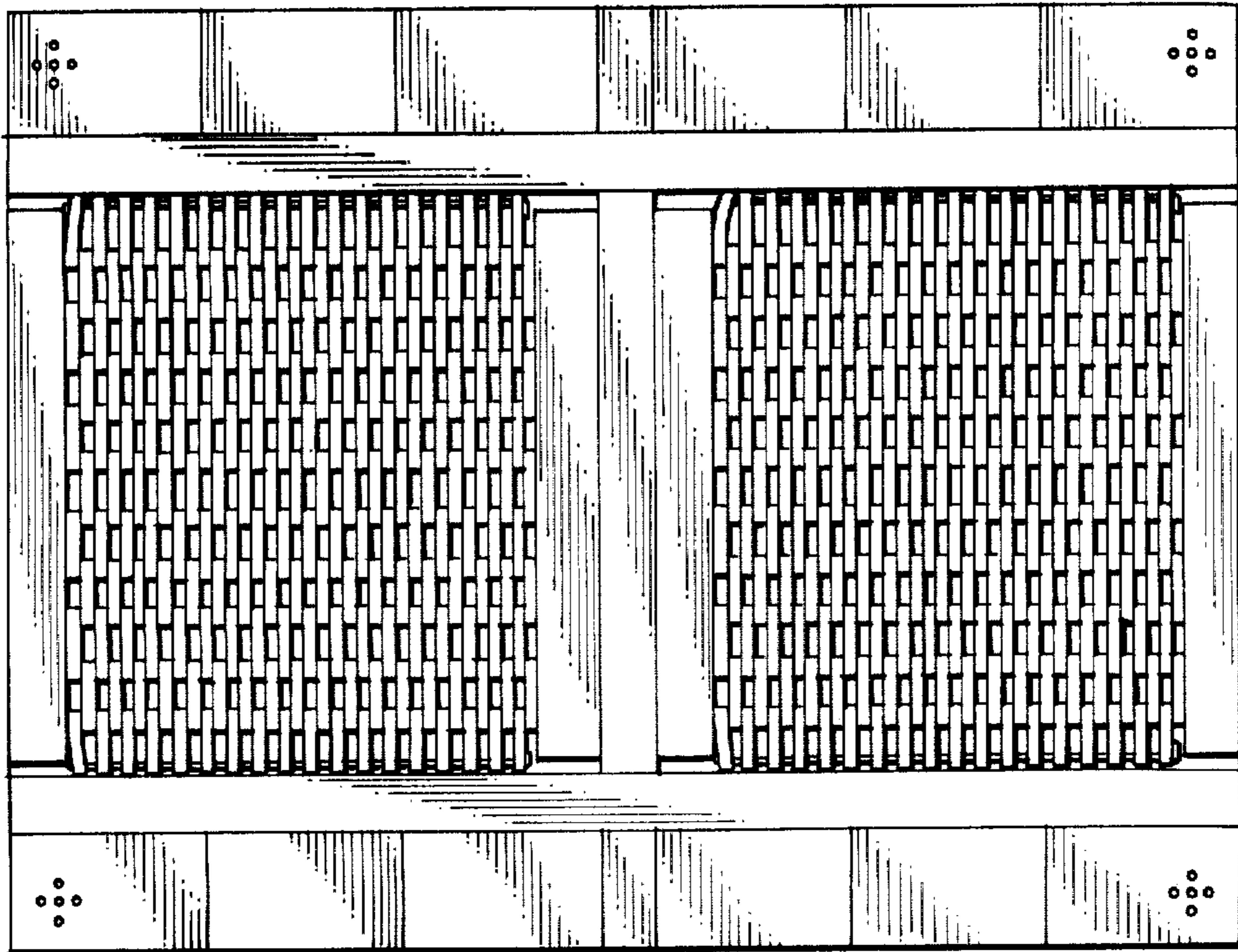


Fig. 5

