

[54] **EMPLOYABILITY TESTING APPARATUS**

[76] **Inventor:** Morris Ehrenreich, 7108 260 St.,
Floral Park, N.Y. 11004

[**] **Term:** 14 Years

[21] **Appl. No.:** 196,539

[22] **Filed:** Oct. 14, 1980

[51] **Int. Cl.** D19-07
[52] **U.S. Cl.** D19/59
[58] **Field of Search** D19/59, 62; 434/219,
434/224, 340, 345

[56] **References Cited**

U.S. PATENT DOCUMENTS

D. 229,563	12/1973	Sirkin	D19/59
D. 235,441	6/1975	Valentine	D19/62
2,878,587	3/1959	Jubenville	434/224
4,198,768	4/1980	Wahl et al.	434/224

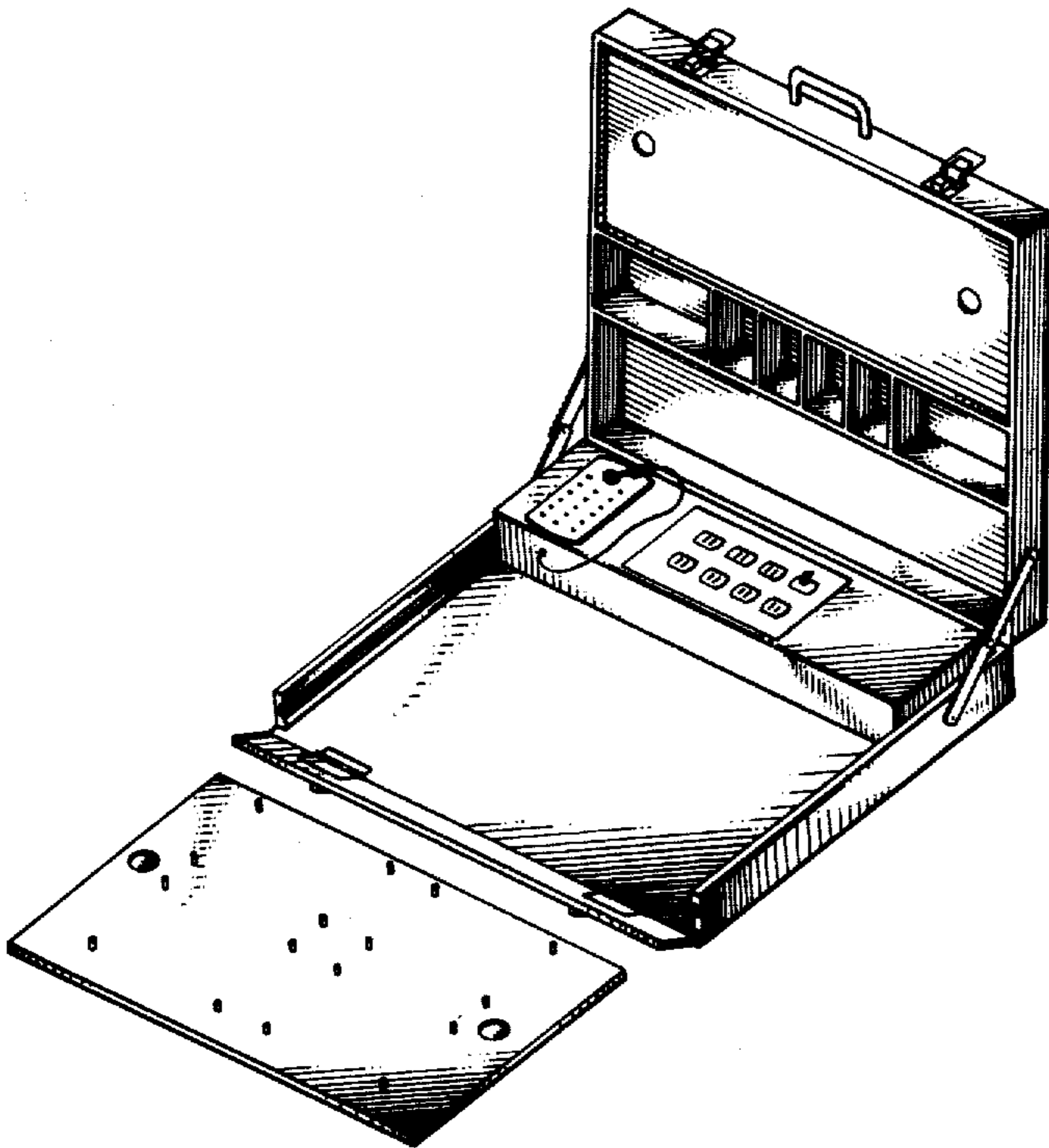
Primary Examiner—Melvin B. Feifer
Attorney, Agent, or Firm—Paul H. Ginsburg

[57] **CLAIM**

The ornamental design for an employability testing apparatus, as shown and described.

DESCRIPTION

FIG. 1 is an exploded top perspective view of my employability testing apparatus comprising a case and a removable task holding panel, showing my new design; FIG. 2 is an exploded bottom perspective view.



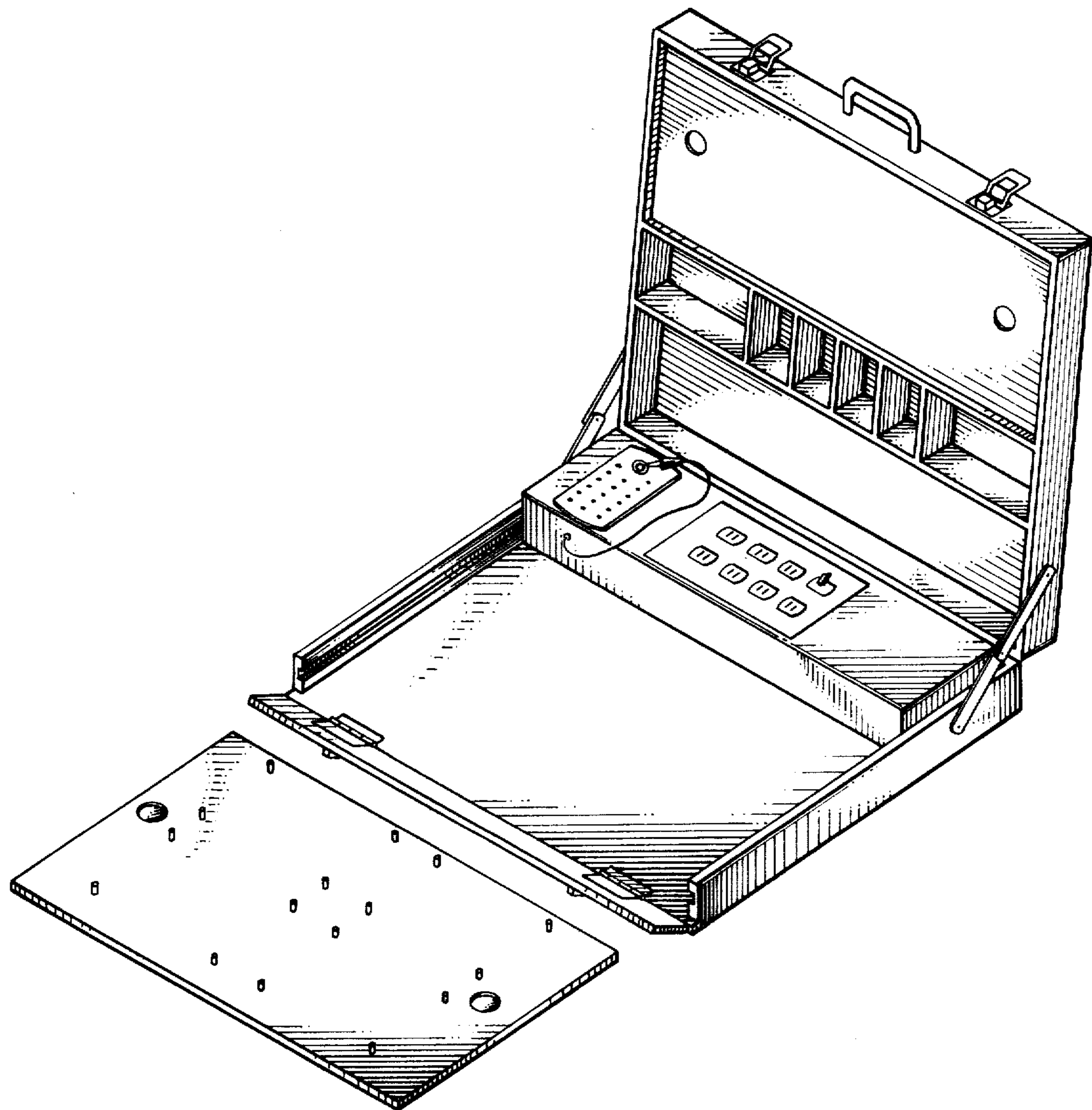


FIG. 1

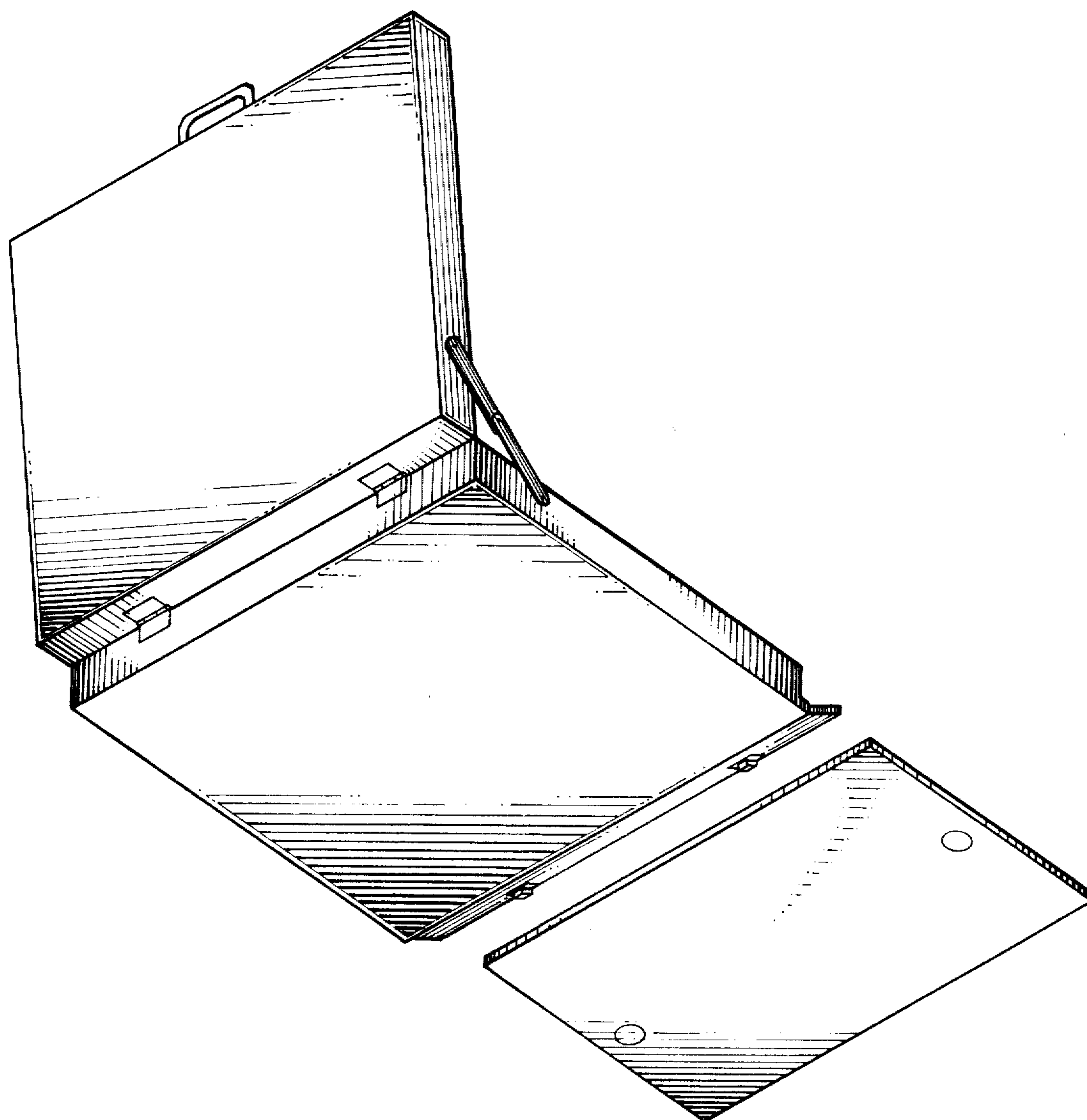


FIG. 2