

[54] WOOD SHAPER

[56]

References Cited

U.S. PATENT DOCUMENTS

[75] Inventor: Peter Lawson, Sao Paulo, Brazil

2,771,106	11/1956	Sigle	144/134 R
3,255,790	6/1966	Manasek et al.	144/134 R
3,604,484	9/1971	Viljoen	144/134 A
4,060,112	11/1977	Leeper	144/134 R

[73] Assignee: Rockwell do Brasil Ind. E. Com. Ltda., Limeira, Brazil

Primary Examiner—B. J. Bullock

[**] Term: 14 Years

[57]

CLAIM

[21] Appl. No.: 95,862

The ornamental design for a wood shaper, as shown.

[22] Filed: Nov. 19, 1979

DESCRIPTION

[51] Int. Cl. D15—09

FIG. 1 is a perspective view of a wood shaper showing my new design;

[52] U.S. Cl. D15/130; D15/127

FIG. 2 is a front elevational view thereof;

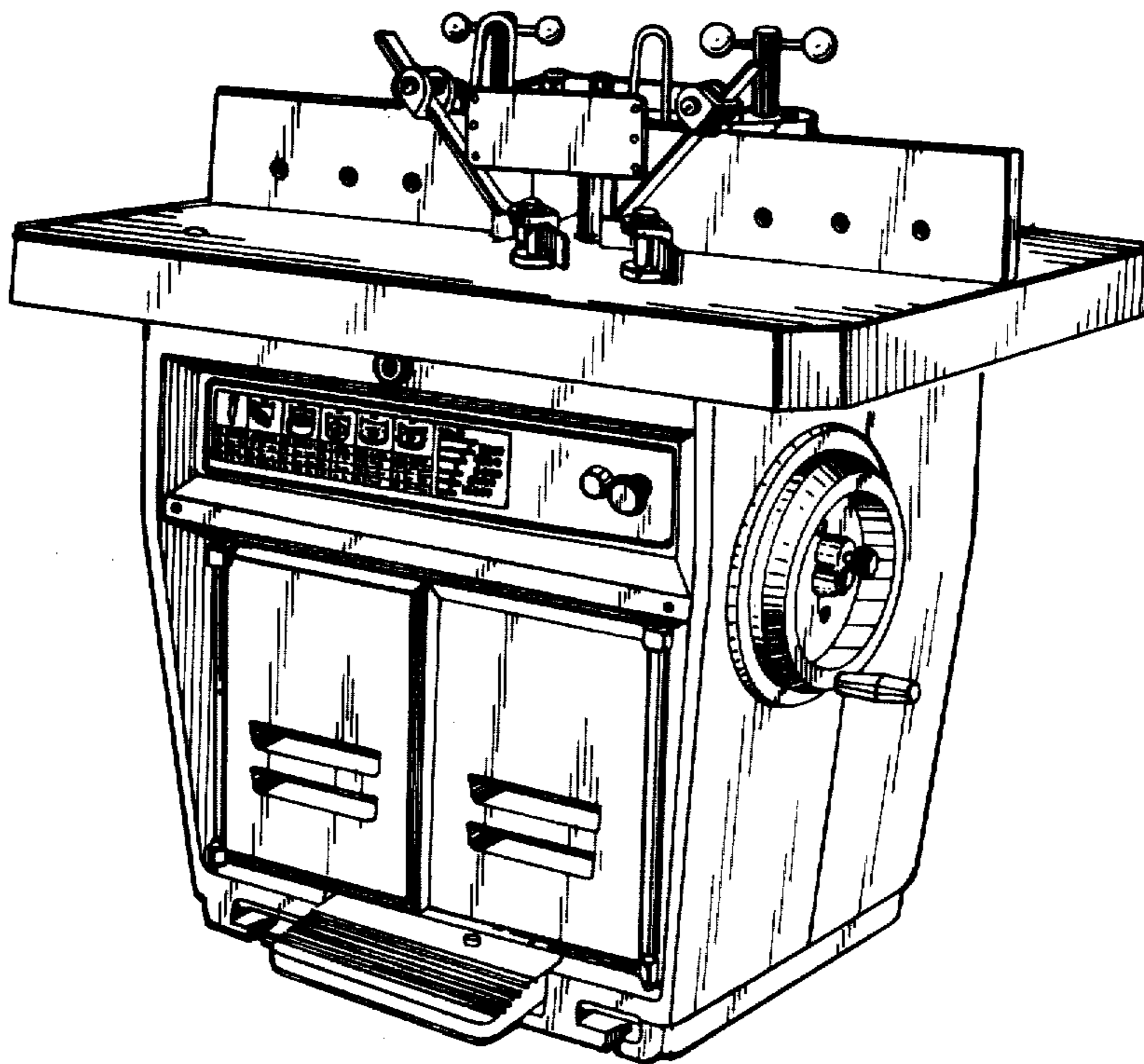
[58] Field of Search D15/122, 124, 125, 126, D15/127, 133, 199, 130; 144/114 R, 222, 134 R, 134 A, 134 B; 51/135 R; 83/471, 477.2; 409/229

FIG. 3 is a side elevational view taken from the right of FIG. 1;

FIG. 4 is a side elevational view taken from the left of FIG. 1;

FIG. 5 is a rear elevational view thereof;

FIG. 6 is a top plan view thereof.



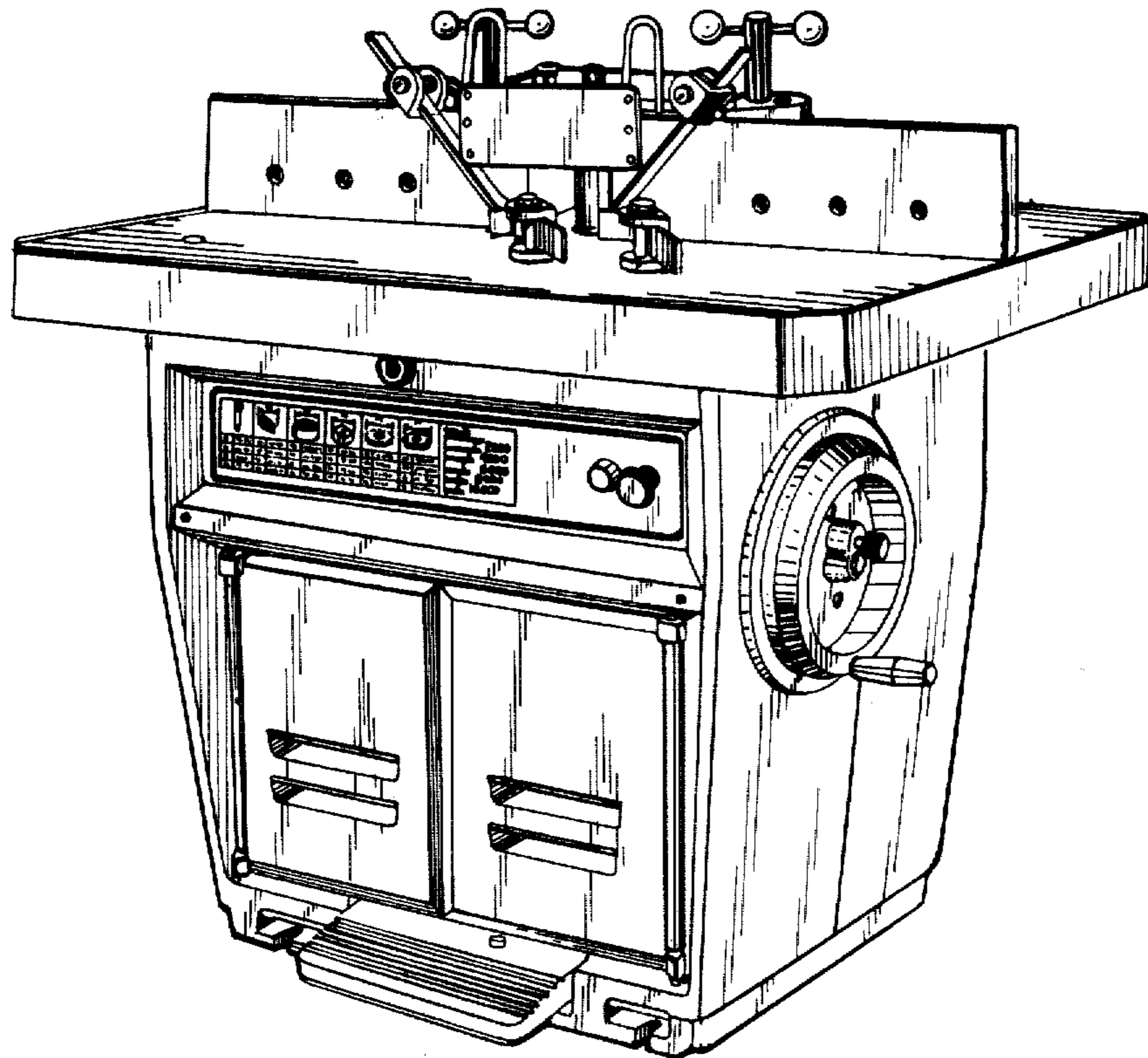


Fig. 1

Fig. 5.

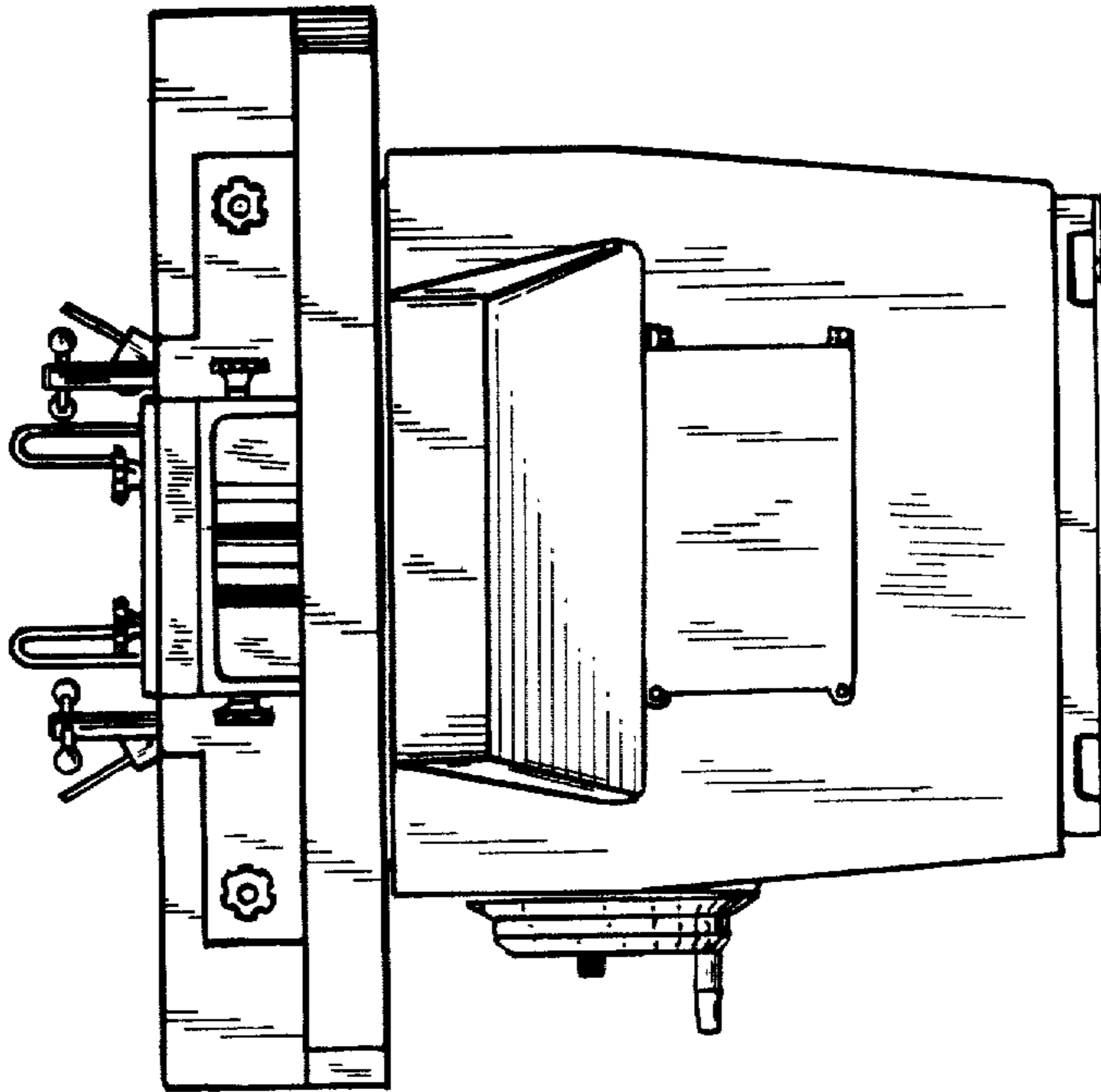


Fig. 2.

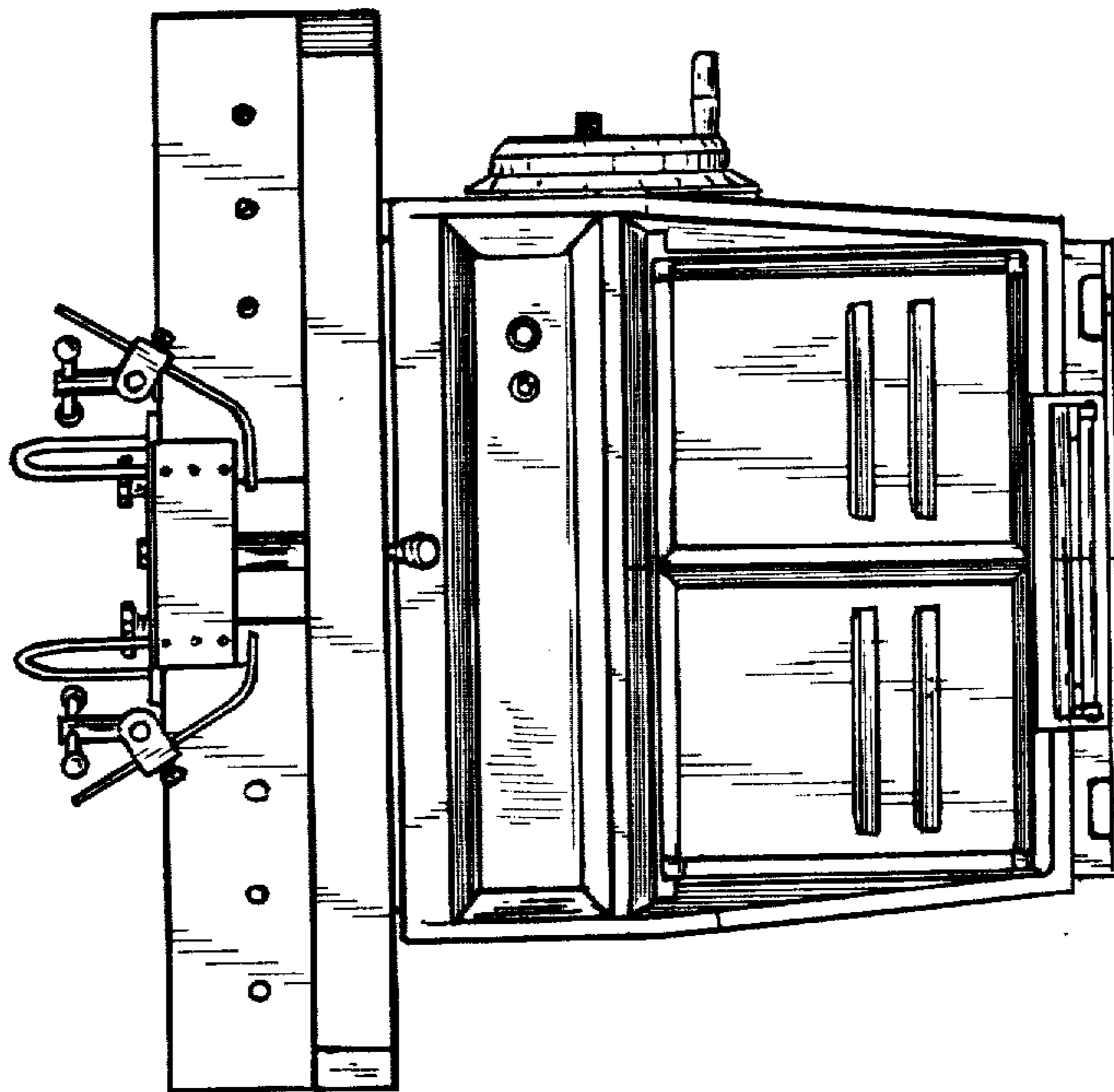


Fig. 3.

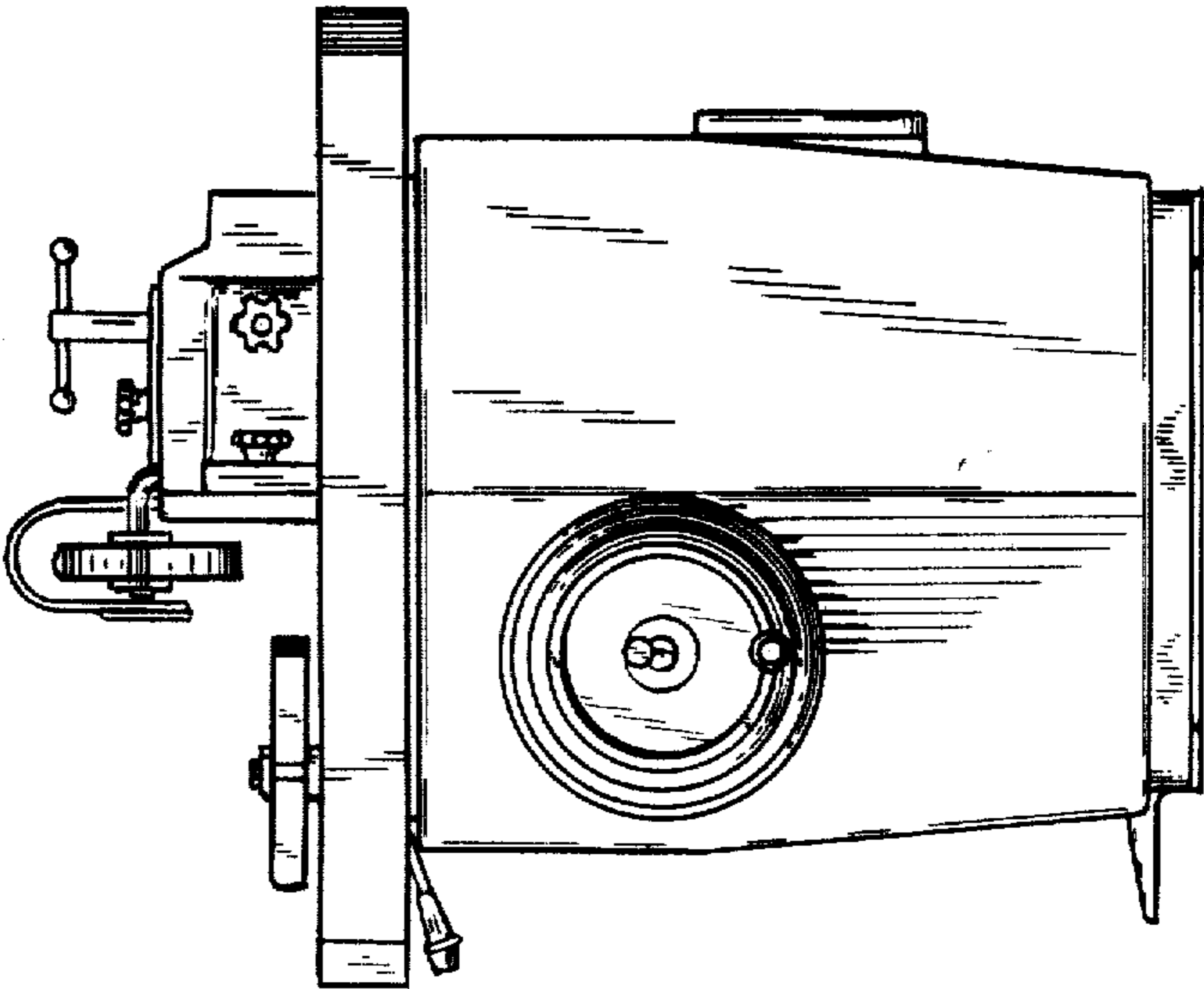


Fig. 4.

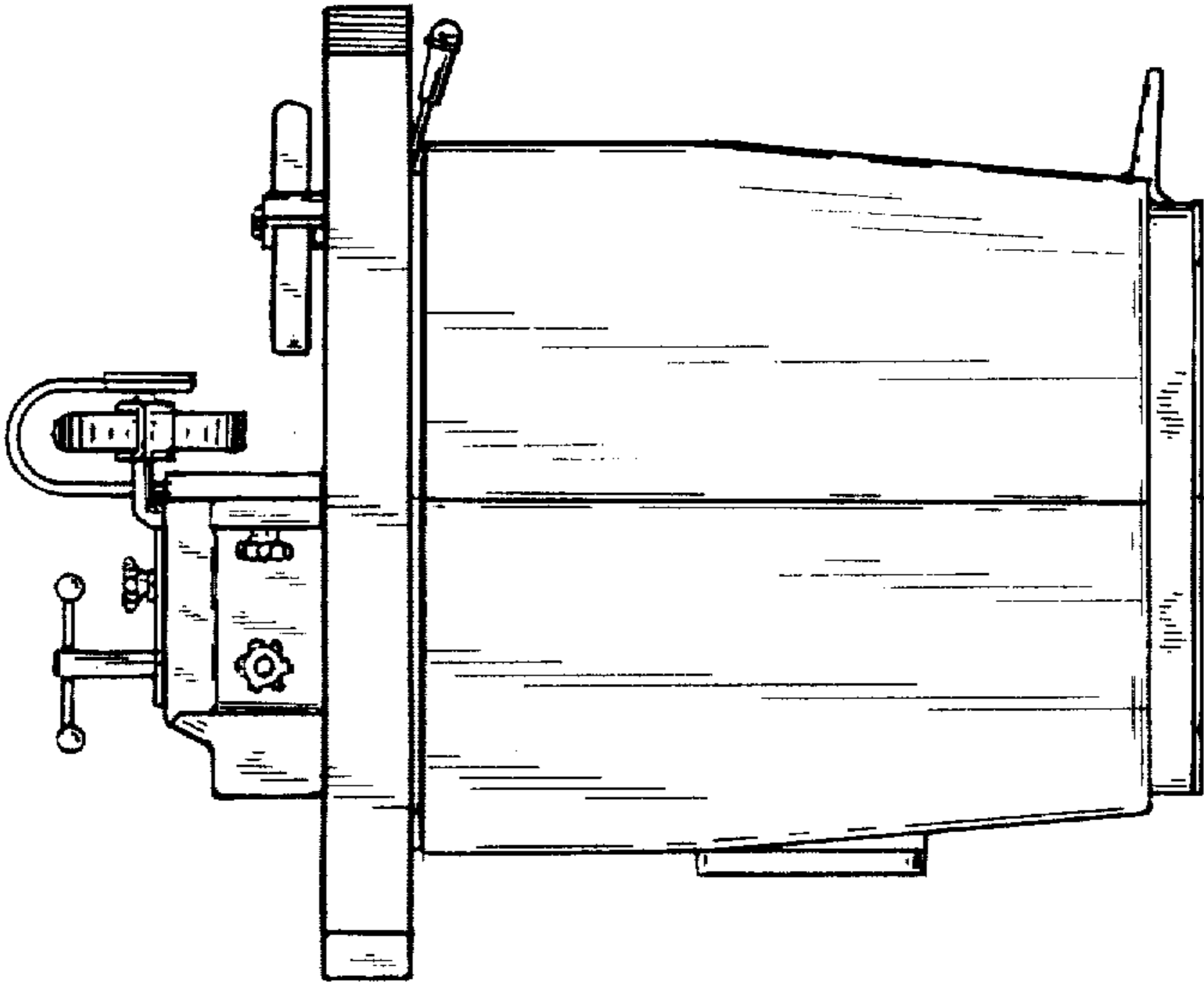


Fig. 6.

