

[54] SELF-PROPELLED DRILLING MACHINE

[76] Inventor: **Stanford E. Case**, 26627 Snell La.,
Los Altos Hills, Calif. 94022

[**] Term: **14 Years**

[21] Appl. No.: **159,203**

[22] Filed: **Jun. 13, 1980**

[51] Int. Cl. **D15-04**

[52] U.S. Cl. **D15/21**

[58] Field of Search **D15/21; 175/52; 173/25,
173/27, 28**

[56] **References Cited**

PUBLICATIONS

Rock Products, 3/80, p. 7, Drilling Rig.

Rock Products, 1/77, p. 71, Drilling Rig. No. 501, top right side of page.

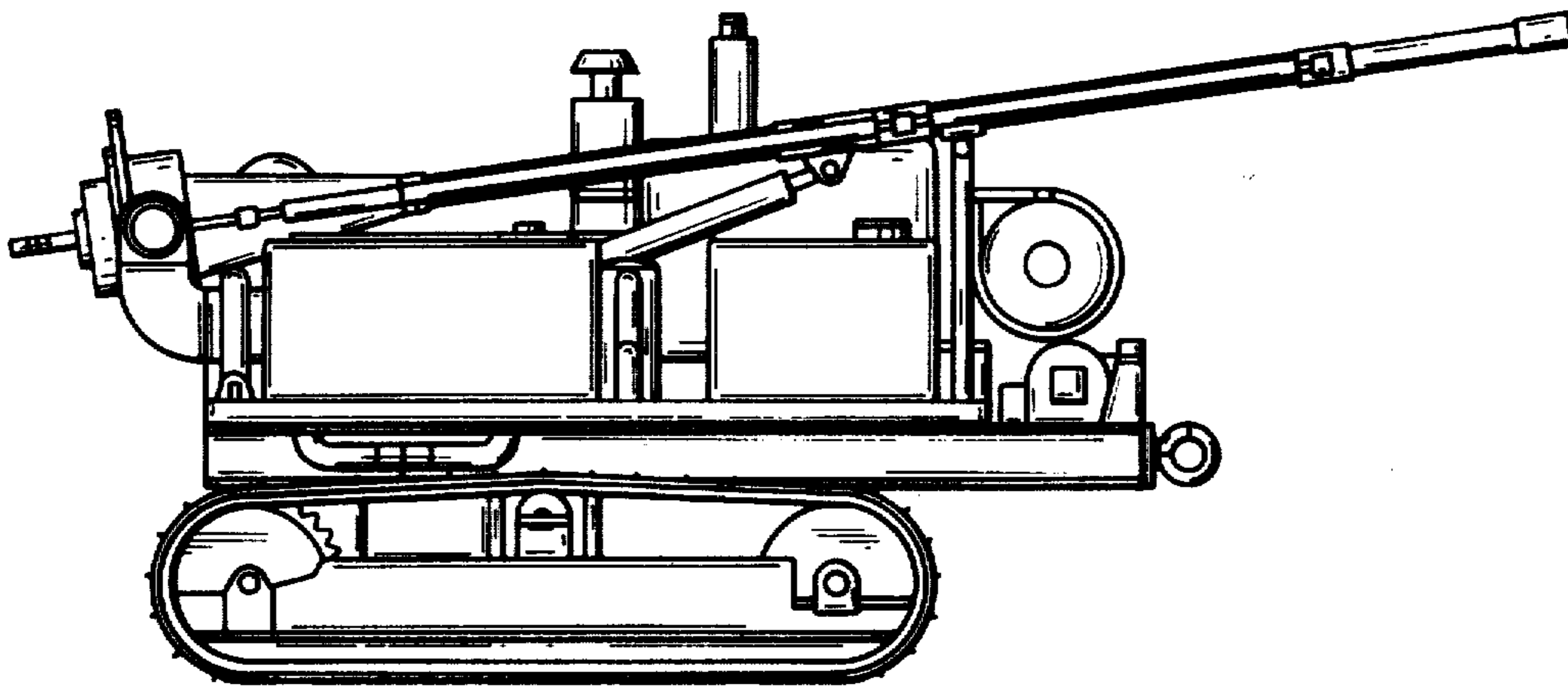
Primary Examiner—James M. Gandy
Attorney, Agent, or Firm—Flehr, Hohbach, Test, Albritton & Herbert

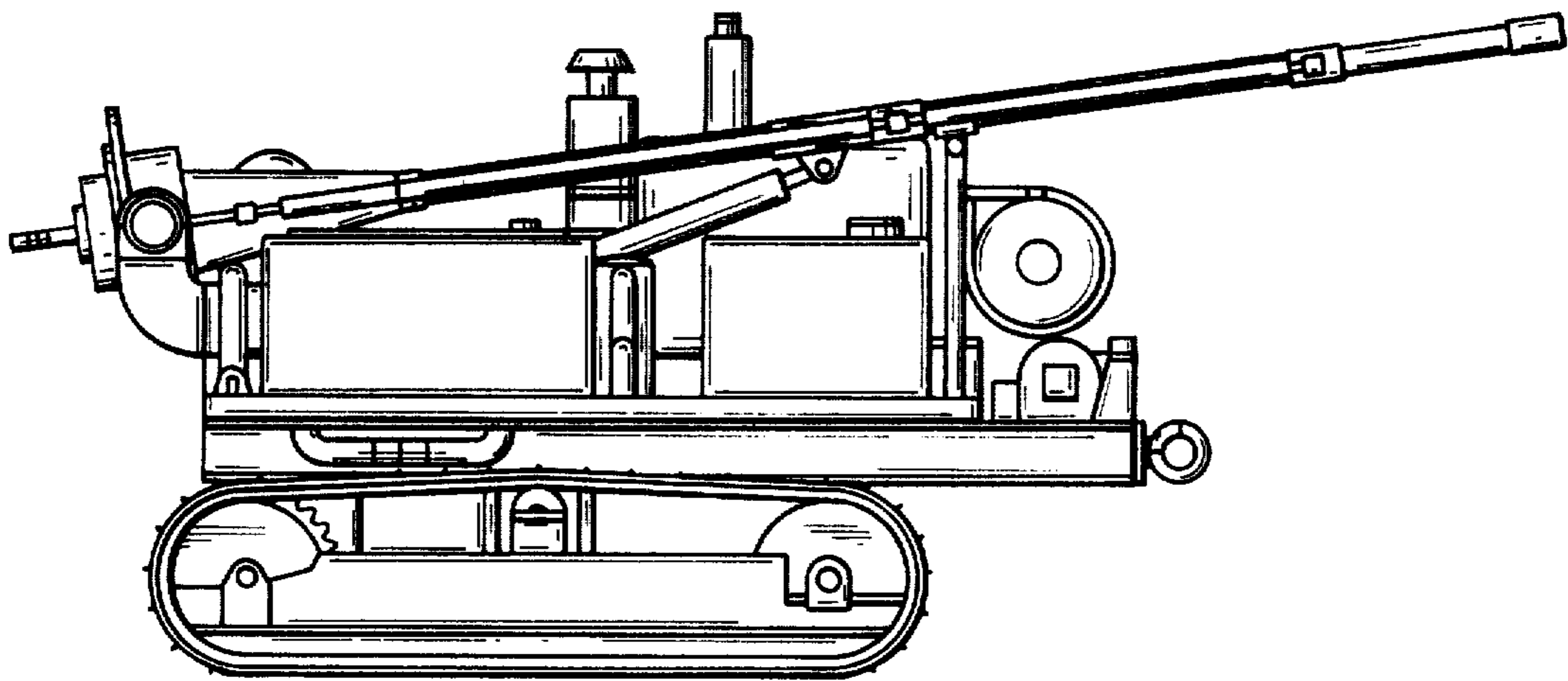
[57] **CLAIM**

The ornamental design for a self-propelled drilling machine, as shown and described.

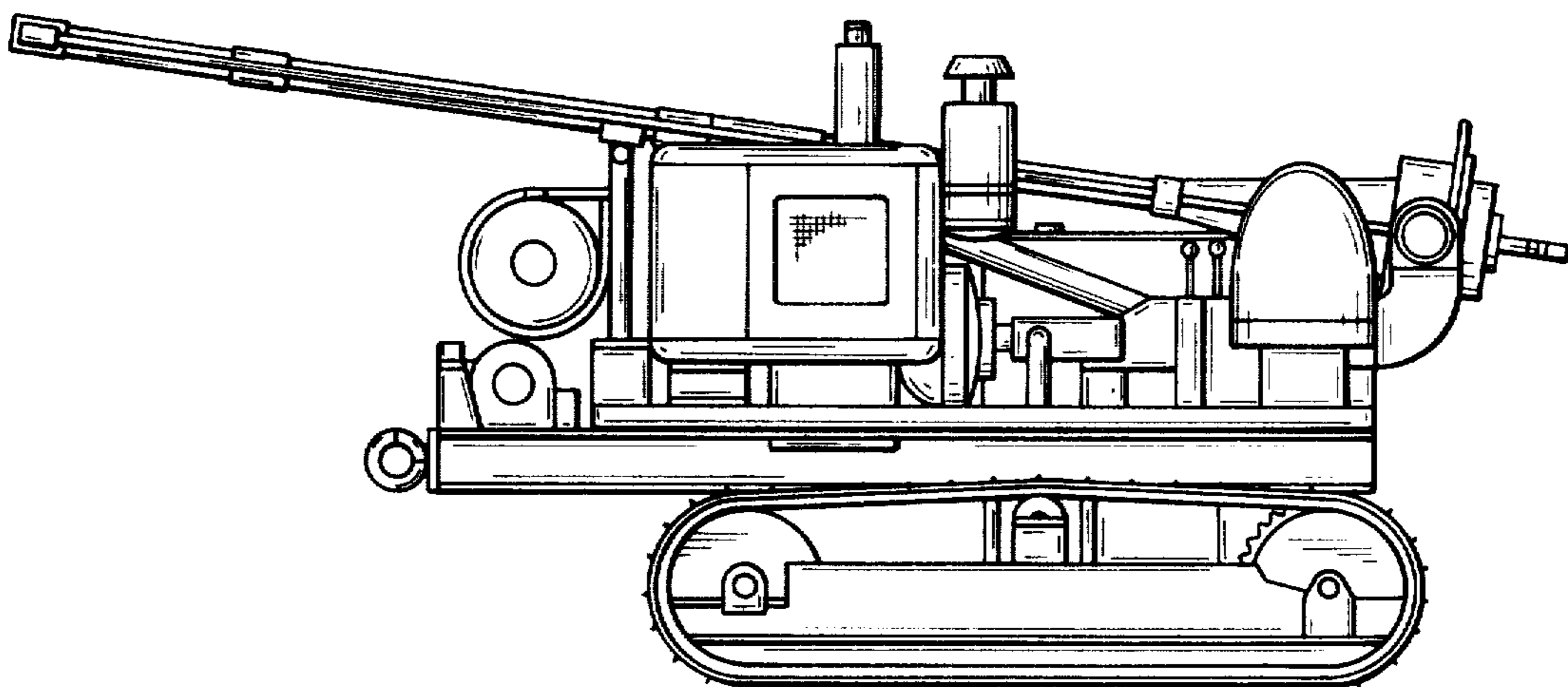
DESCRIPTION

FIG. 1 is a left side elevational view of a self-propelled drilling machine showing my new design; FIG. 2 is a right side elevational view thereof; FIG. 3 is a rear elevational view thereof; FIG. 4 is a front elevational view thereof; and FIG. 5 is a top plan view thereof.

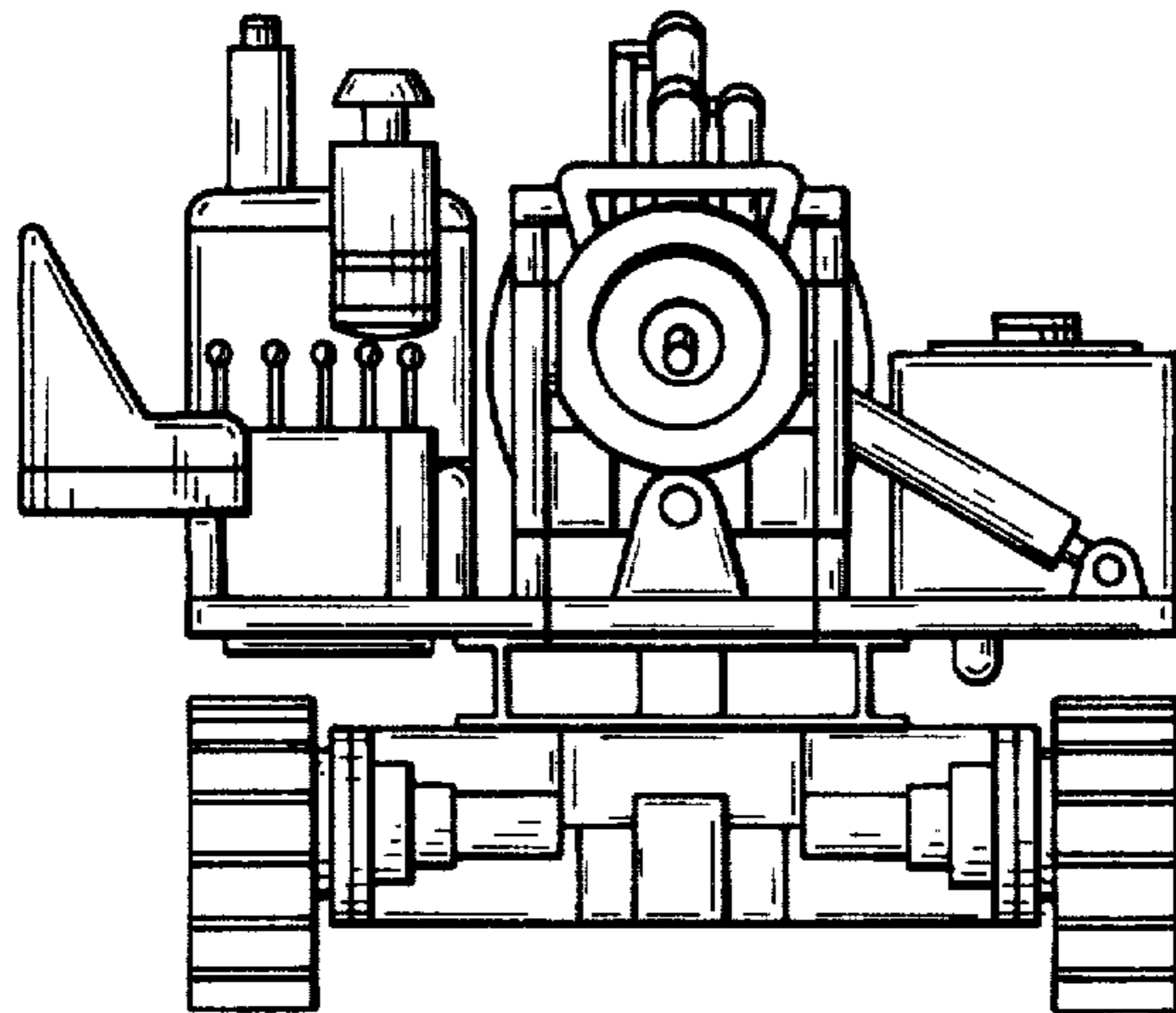




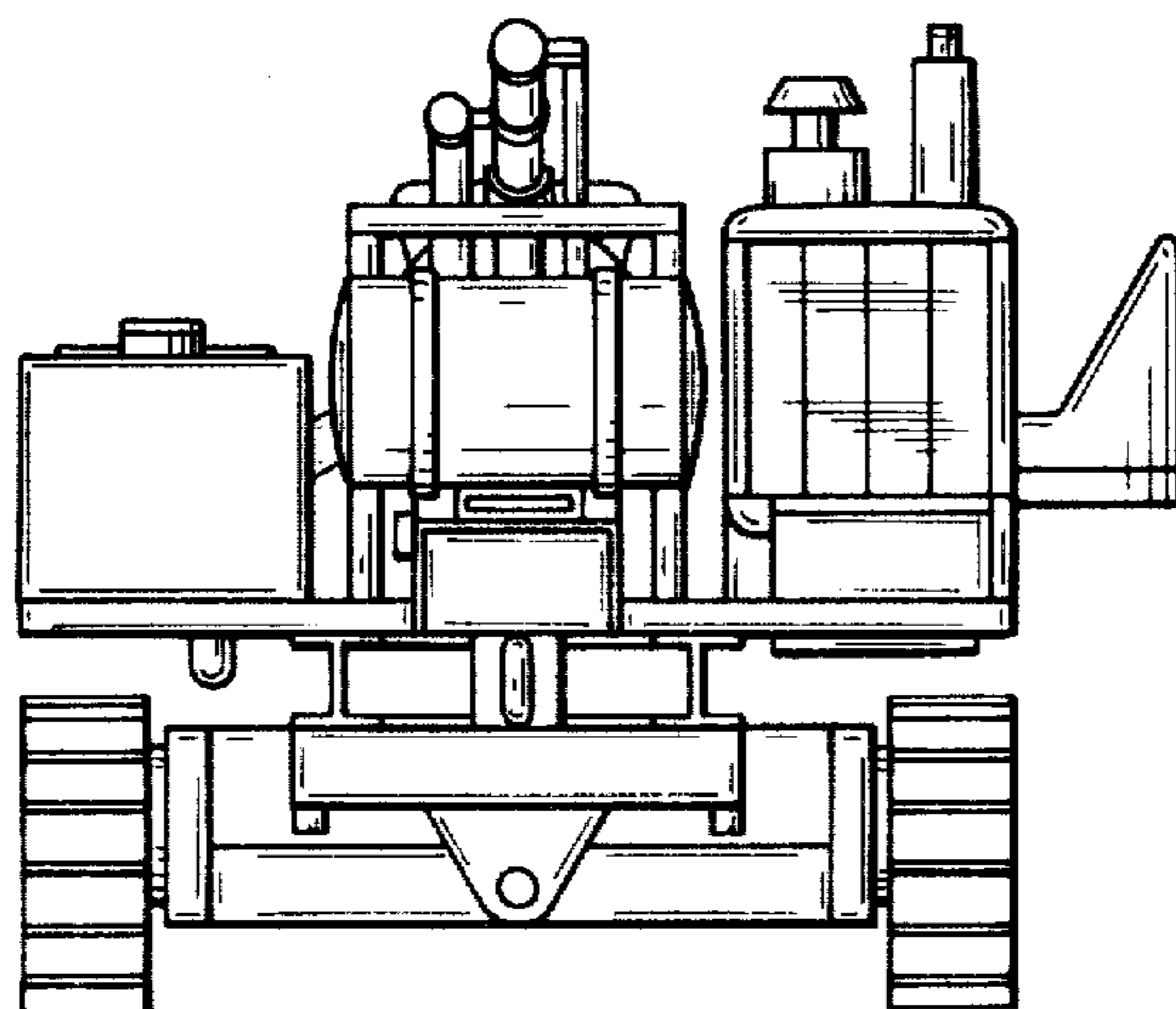
FIG_1



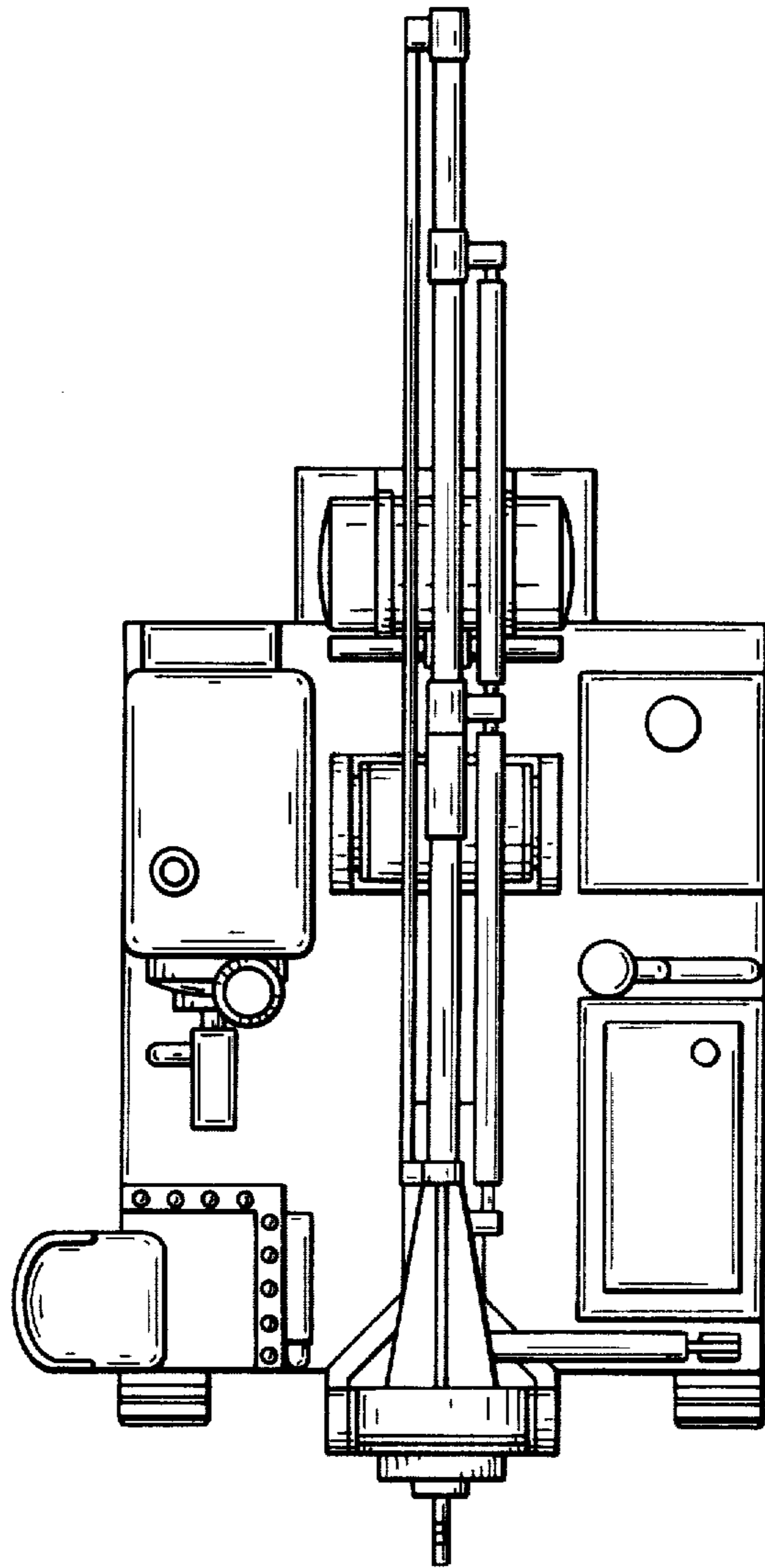
FIG_2



FIG_3



FIG_4



FIG_5