

[54] CLOCK RADIO

[75] Inventors: Shinzo Murakami, Higashiosaka; Kazumasa Takenaka, Katano; Kikuo Ohta, Ikoma; Masanori Hamada, Yao; Kunio Hoshino, Katano, all of Japan

[73] Assignee: Matsushita Electric Industrial Co., Ltd., Osaka, Japan

[\*\*] Term: 14 Years

[21] Appl. No.: 158,999

[22] Filed: Jun. 12, 1980

[30] Foreign Application Priority Data

Dec. 20, 1979 [JP] Japan ..... 54-53707

[51] Int. Cl. .... D14-03; D10-01

[52] U.S. Cl. .... D14/70; D10/2; D10/15; D14/73

[58] Field of Search ..... D14/1, 2, 5, 6, 20, D14/68, 70-76, 79, 95, 99; D10/2, 15

[56] References Cited

U.S. PATENT DOCUMENTS

D. 234,535 3/1975 Miyamoto ..... D14/75

D. 234,537 3/1975 Kawano ..... D14/75  
D. 238,514 1/1976 Artaud ..... D14/1 X

OTHER PUBLICATIONS

Home Furnishings Daily, 6-2-75, p. 28, Toshiba Model PC-6030 Cassette Deck.  
Evans '79 Cat., ©'78, p. 276X, Items #'s 1 & 4.  
RF-8000, Matsushita, 1979, Catalog p. 19.  
RF-7100, Matsushita, 1977, Panasonic.  
RF-5000A, Matsushita, 1977, Catalog p. 31.  
CRF-330K, Sony, 1978.  
CRF-200, Sony, 1978.

Primary Examiner—Jane E. Corrigan  
Attorney, Agent, or Firm—Stevens, Davis, Miller & Mosher

[57] CLAIM

The ornamental design for a clock radio, as shown and described.

DESCRIPTION

FIG. 1 is a top, front and right side perspective view of a clock radio showing our new design, FIG. 2 is a rear, bottom and left side perspective view thereof, and FIG. 3 is a front elevational view thereof with the handle in raised condition.

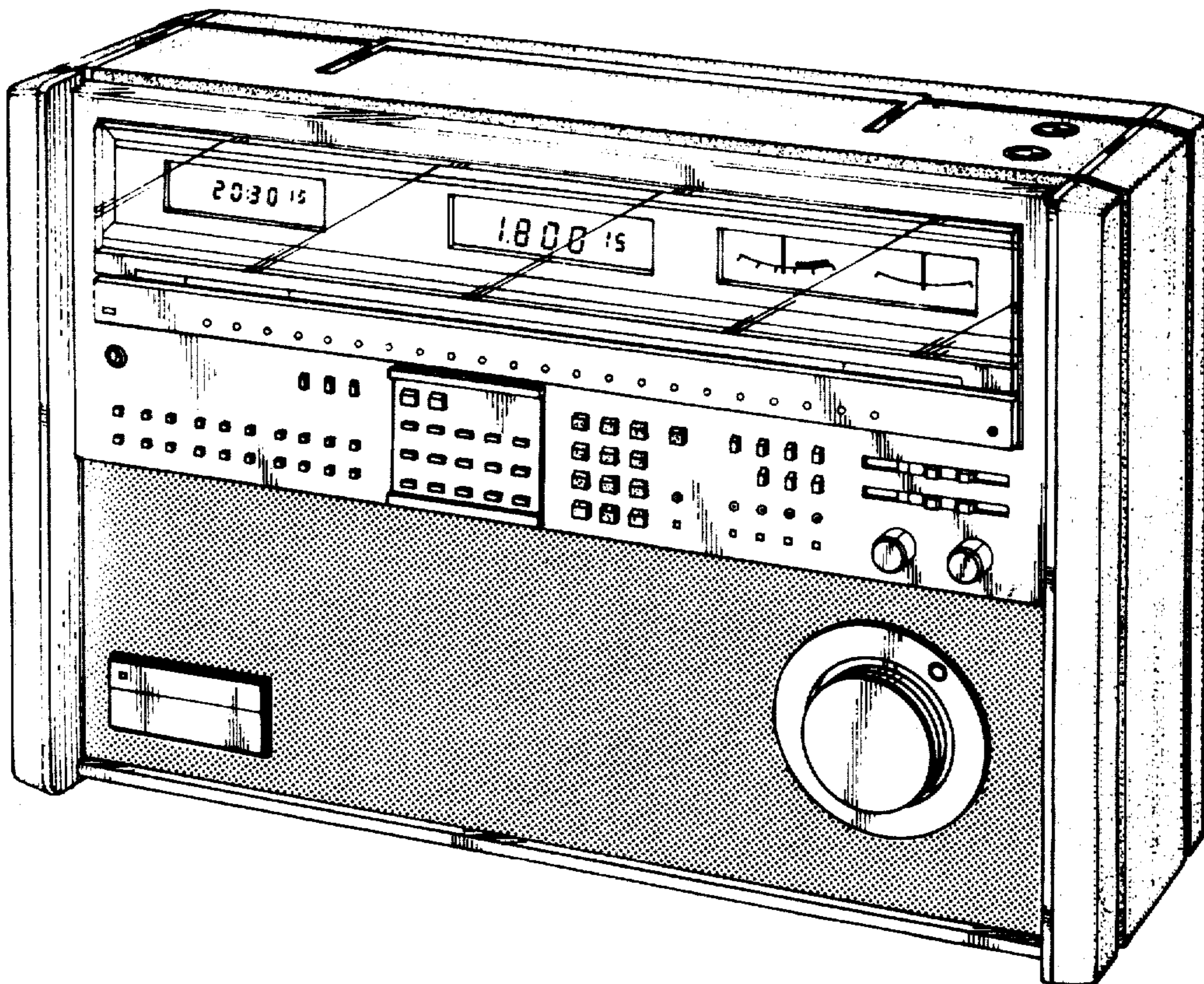


FIG. 1

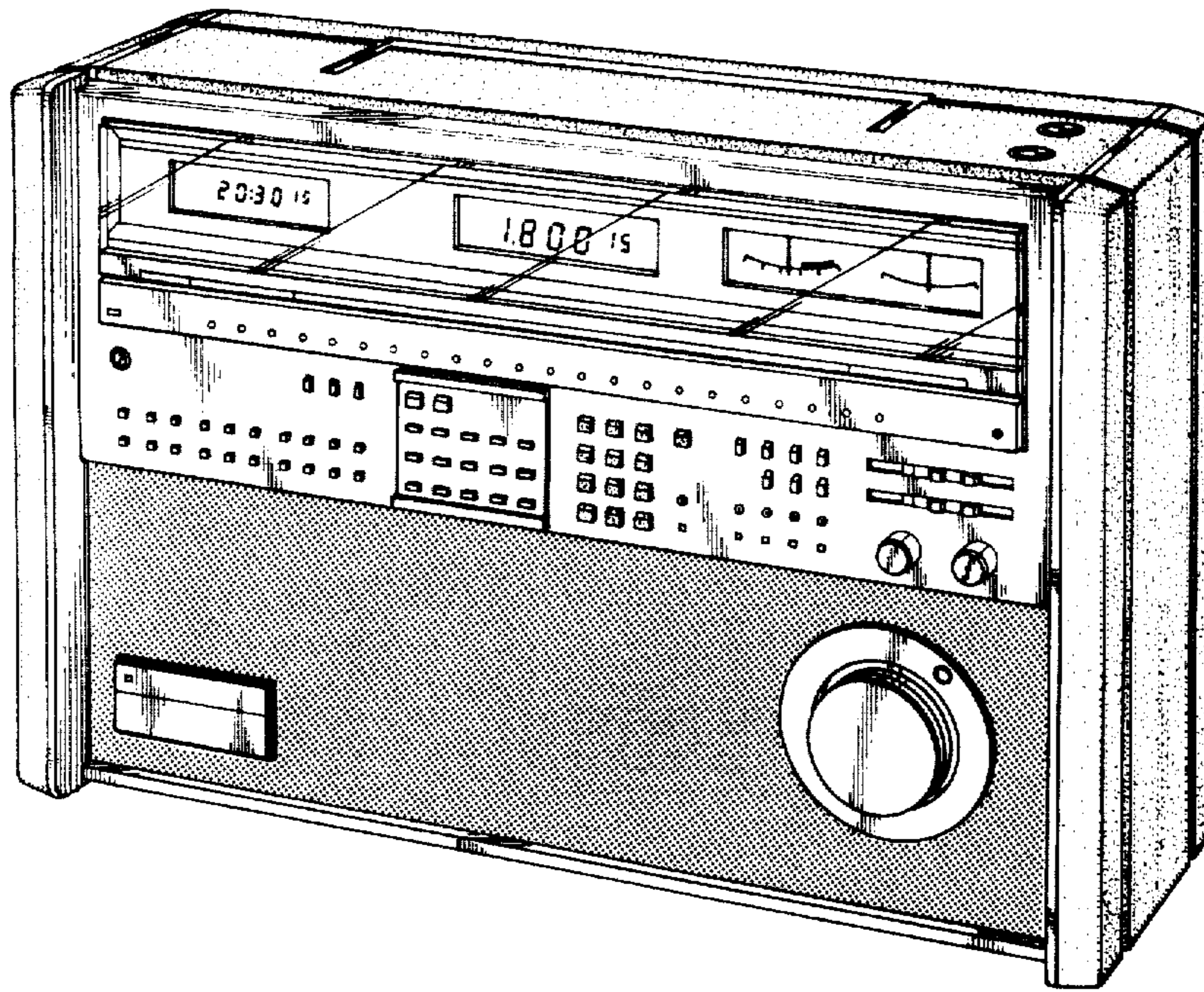


FIG. 2

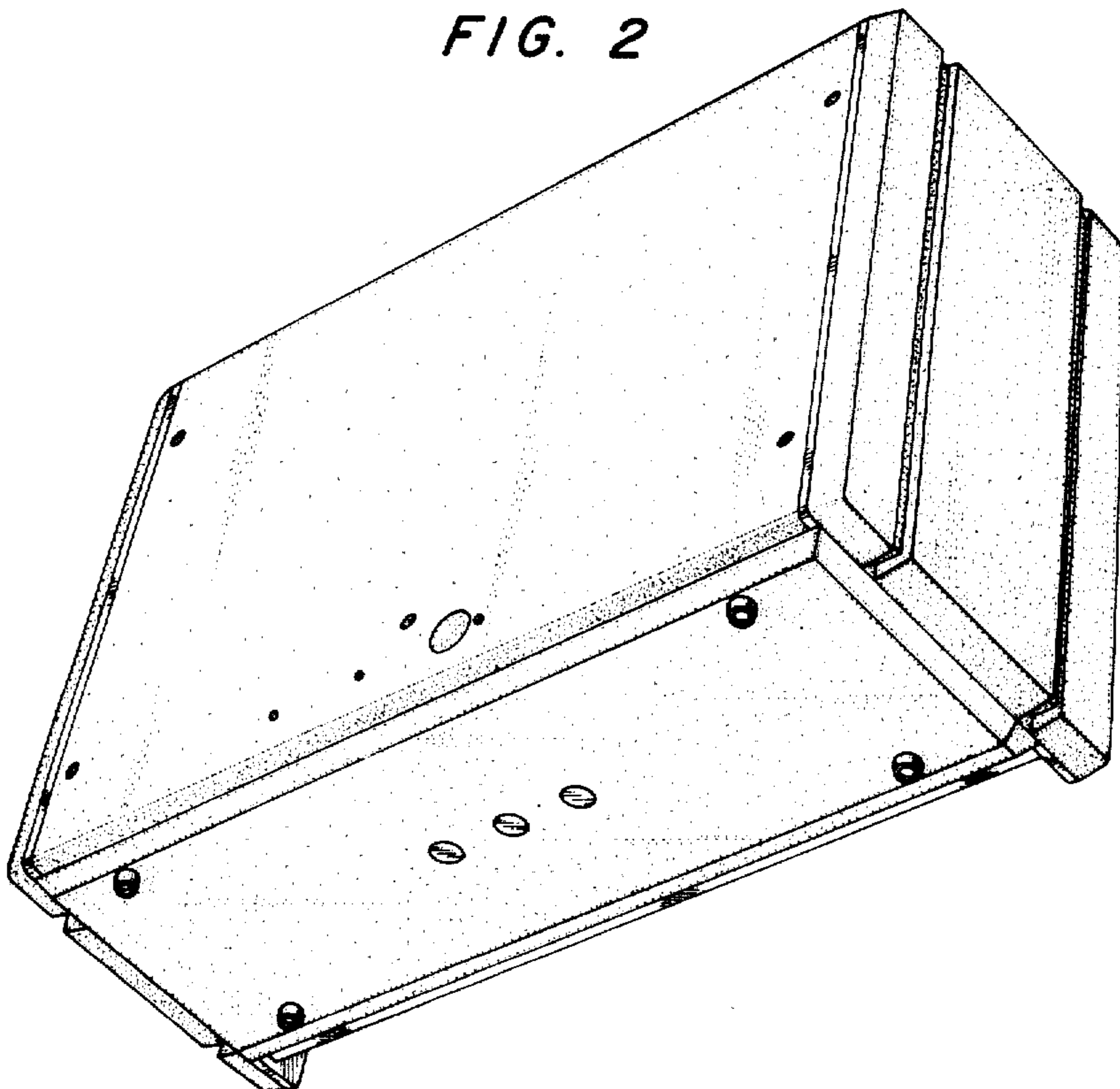


FIG. 3

