

[54] PRE-RECORDED CARTRIDGE VIDEO/AUDIO DISK

[75] Inventors: Osamu Tajima, Ayase; Takashi Yamamura, Yokohama; Yoichi Mita, Tokyo; Masafumi Mochizuki, Yamato, all of Japan

[73] Assignee: Victor Company of Japan, Limited, Yokohama, Japan

[**] Term: 14 Years

[21] Appl. No.: 166,781

[22] Filed: Jul. 7, 1980

[30] Foreign Application Priority Data
Feb. 1, 1980 [JP] Japan 55-14482

[51] Int. Cl. D14-99; D16-05; D16-99

[52] U.S. Cl. D14/11; D3/35; D14/99

[58] Field of Search 206/444, 309, 303, 387; D3/35; D14/11, 99; 360/133, 99, 134, 135

[56] References Cited
U.S. PATENT DOCUMENTS

- D. 245,125 7/1977 Chou et al. D3/35
- D. 248,470 7/1978 Talesfore D14/11
- D. 262,415 12/1981 Gelardi et al. D3/35
- 4,159,827 7/1979 Torrington 206/444 X
- 4,164,782 8/1979 Stewart 206/444 X
- 4,185,314 1/1980 Hatchett et al. 206/444 X

Primary Examiner—Bernard Ansher
Attorney, Agent, or Firm—Cushman, Darby & Cushman

[57] CLAIM

The ornamental design for a pre-recorded cartridge video/audio disk, as shown and described.

DESCRIPTION

FIG. 1 is a top, front and right side perspective view of a pre-recorded cartridge video/audio disk showing my new design,
 FIG. 2 is a front elevational view,
 FIG. 3 is a rear elevational view,
 FIG. 4 is a right side elevational view,
 FIG. 5 is a left side elevational view thereof,
 FIG. 6 is a sectional view taken from line VI in FIG. 2, and
 FIG. 7 shows each perspective view of lid removed from cartridge, pre-recorded video/audio disk per se pulled out from cartridge, and case without lid and pre-recorded video/audio disk.

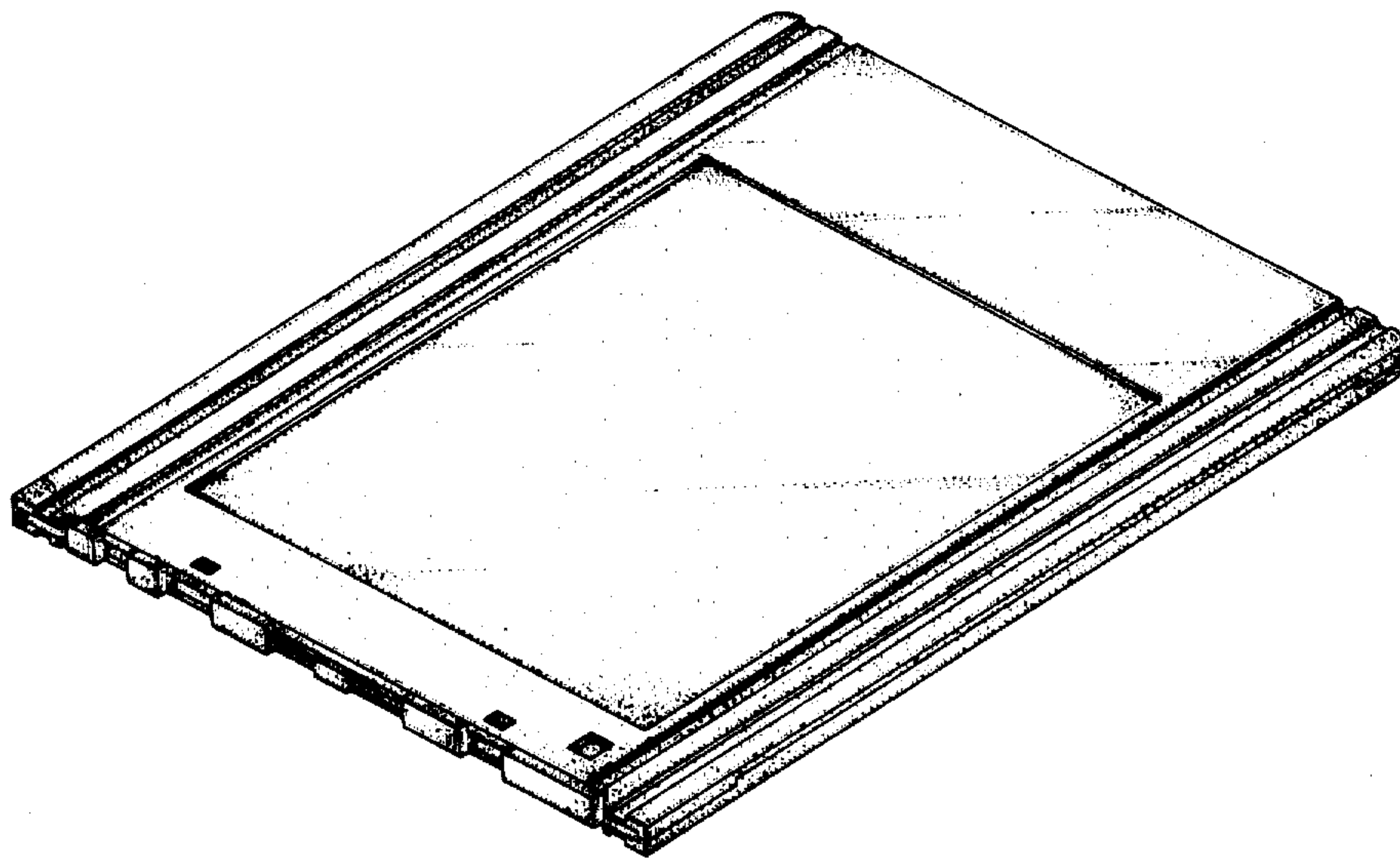


FIG. 1

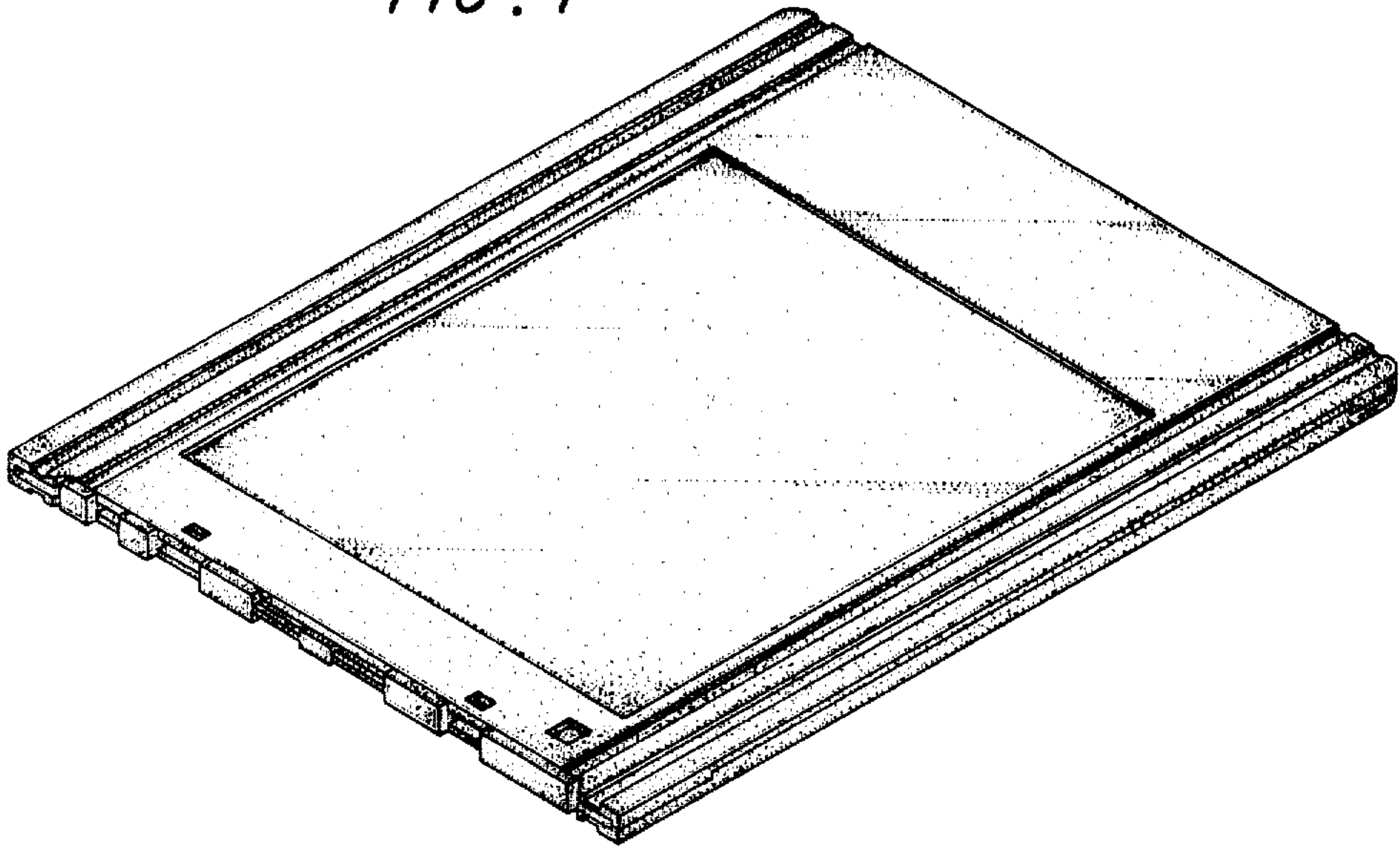


FIG. 2

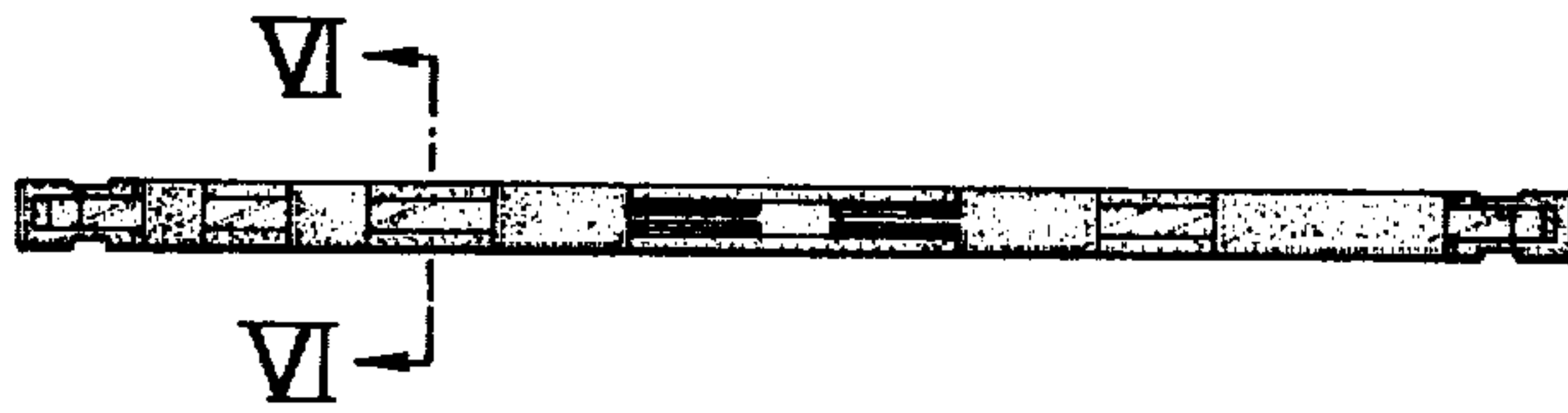


FIG. 3



FIG. 4

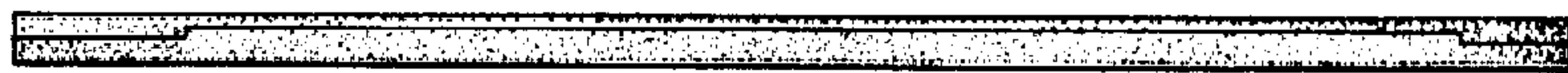


FIG. 5



FIG. 6

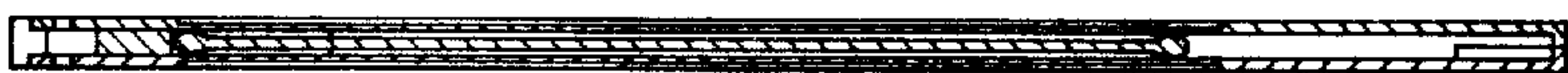


FIG. 7

