

[54] COMBINED ELECTRICAL CONNECTOR AND ADAPTER PLUG THEREFOR

[75] Inventors: Junichi Noda, Tokyo; Isao Yanagisawa, Tokorozawa, both of Japan

[73] Assignee: Tamura Seisakusho Co., Ltd., Japan

[\*\*] Term: 14 Years

[21] Appl. No.: 187,199

[22] Filed: Sep. 15, 1980

[51] Int. Cl. .... D13-03

[52] U.S. Cl. .... D13/24

[58] Field of Search ..... D13/24; 339/91 R, 153, 339/154 R, 59, 126 R

[56] References Cited

U.S. PATENT DOCUMENTS

D. 243,698	3/1977	Gietzen .....	D13/24
D. 251,491	4/1979	Snyder et al. ....	D13/24
3,721,939	3/1973	Paugh .....	339/91 R X
3,737,835	6/1973	Clement et al. ....	339/154 R X
3,824,524	7/1974	Glover .....	339/126 R X

Primary Examiner—Susan J. Lucas  
Attorney, Agent, or Firm—Leydig, Voit, Osann, Mayer and Holt, Ltd.

[57] CLAIM

The ornamental design for a combined electrical connector and adapter plug thereof, as shown and described.

DESCRIPTION

FIG. 1 is a perspective view of the combined electrical connector and adapter plug showing our new design.

FIG. 2 is an exploded view thereof.

FIGS. 3, 4, 5 and 6 are respectively front, side, rear and top views thereof on an enlarged scale, the connector being omitted from FIGS. 4, 5 and 6 for purposes of disclosure;

FIGS. 7, 8, 9 and 10 are respectively front, top, rear and side views of a second embodiment of our new design, the connector which is identical to that of the first embodiment being omitted in FIGS. 8, 9 and 10 for purposes of disclosure.

FIGS. 11 and 12 are respectively side and bottom views on an enlarged scale of the connector, the adapter plug being omitted for convenience of illustration.

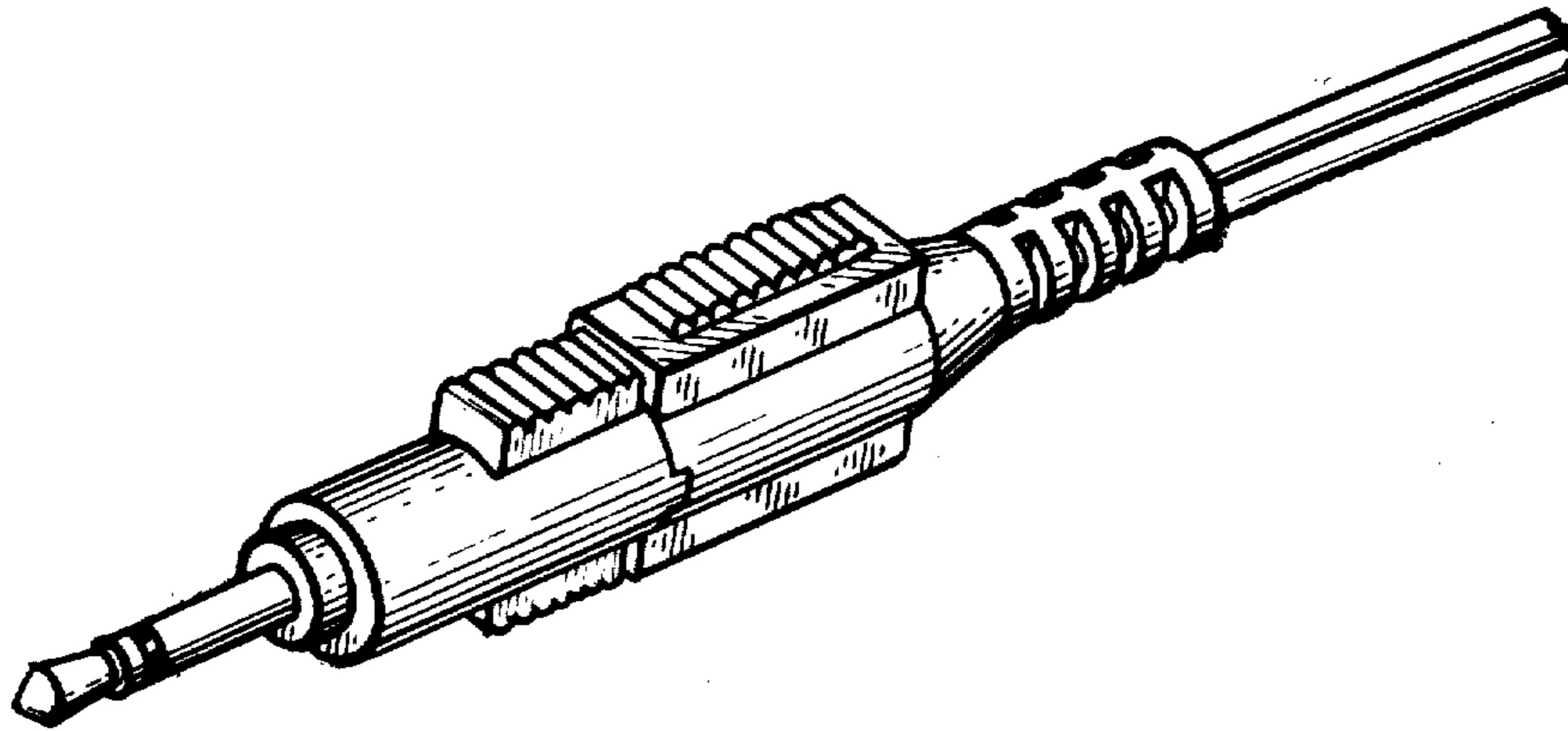


FIG. 1

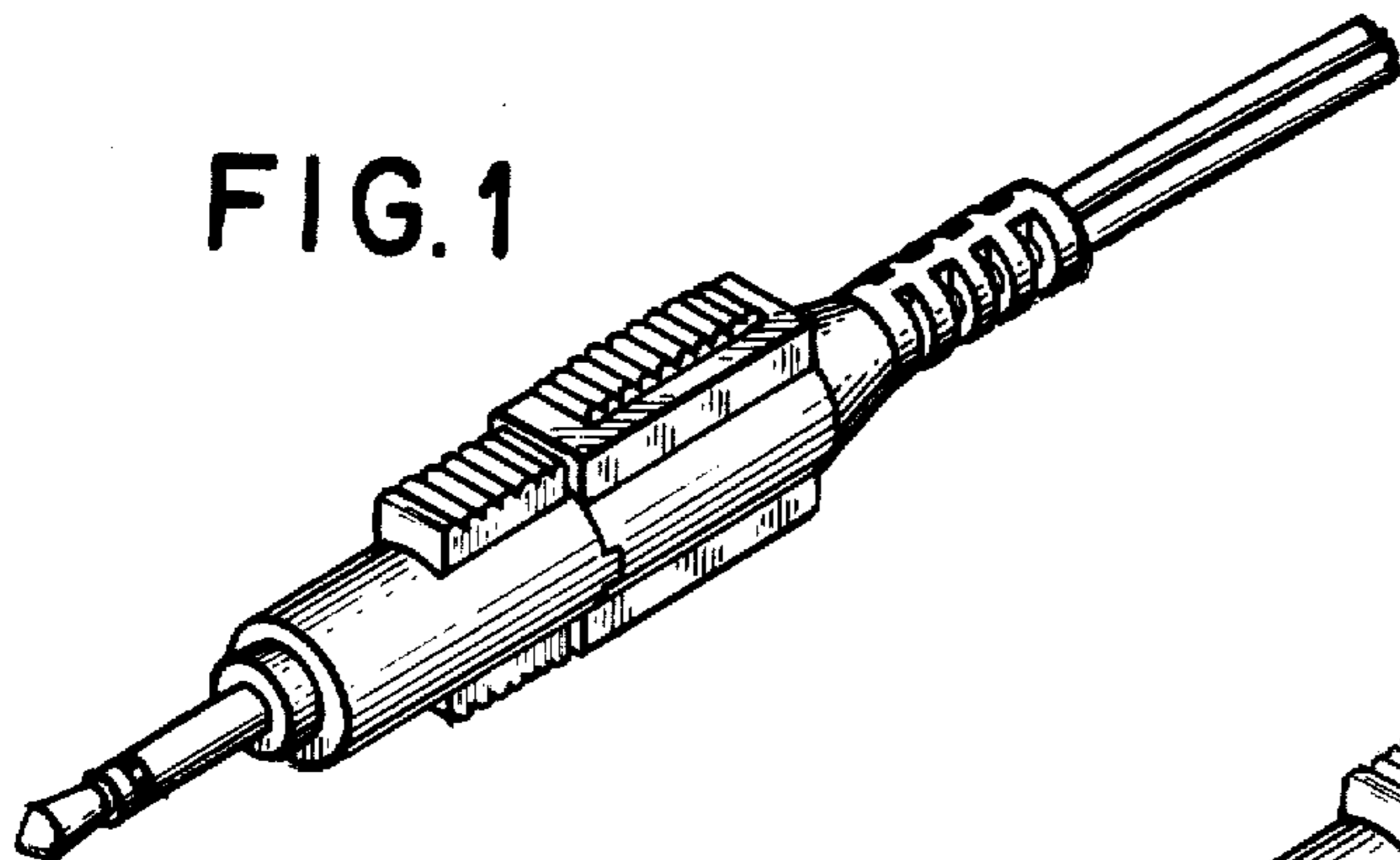


FIG. 2

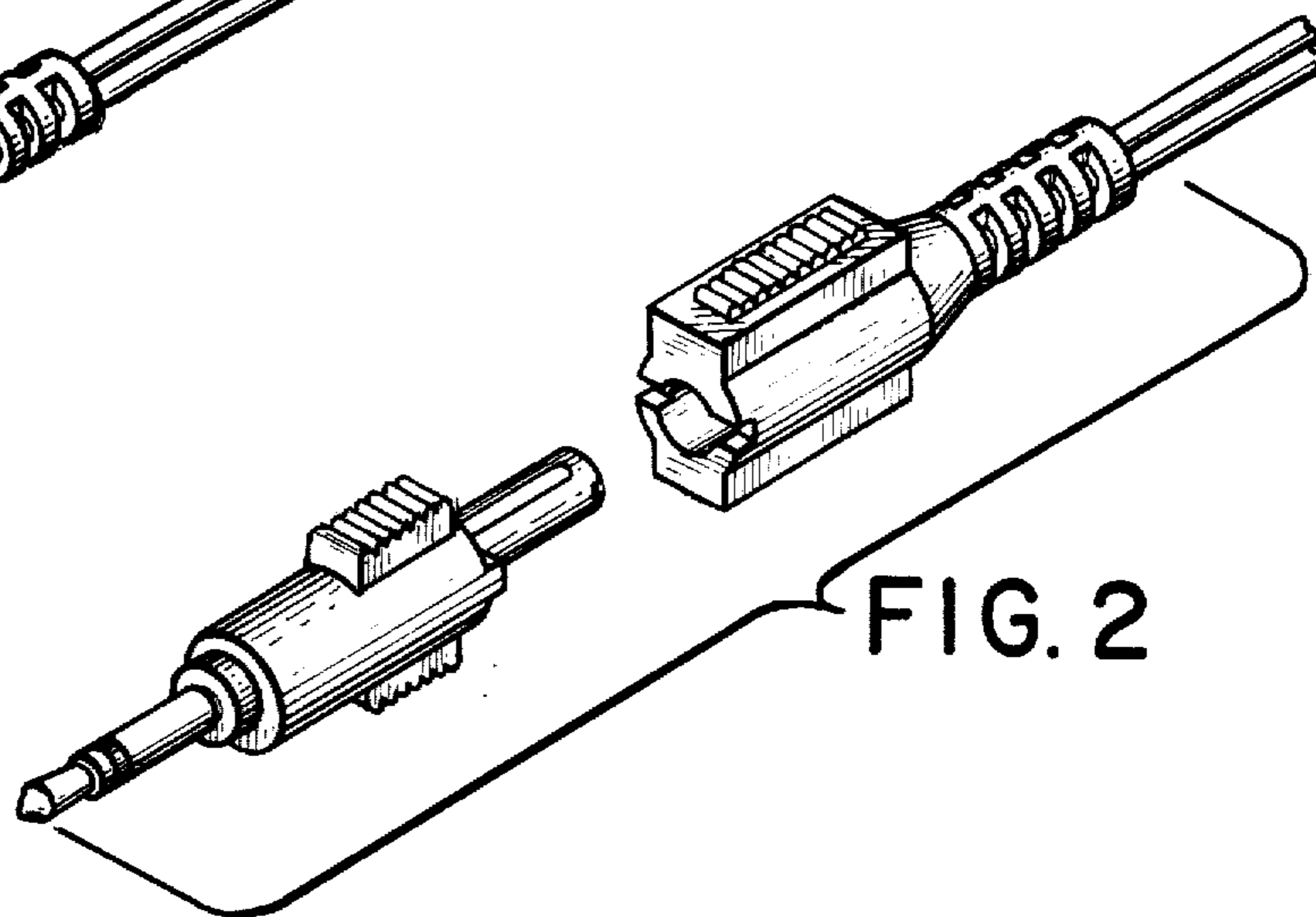


FIG. 3

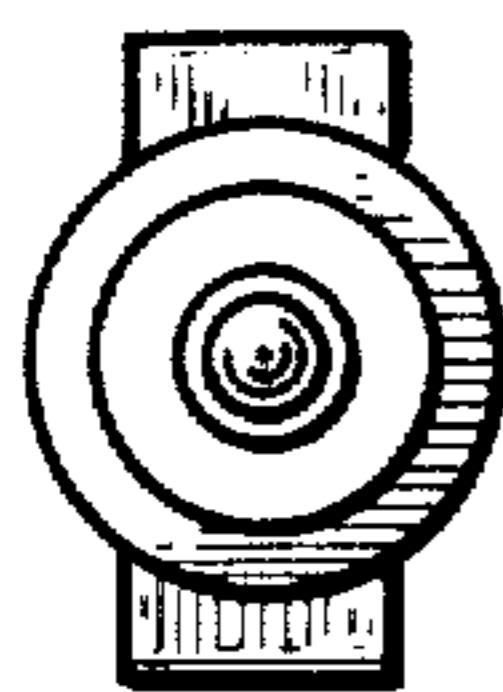


FIG. 4

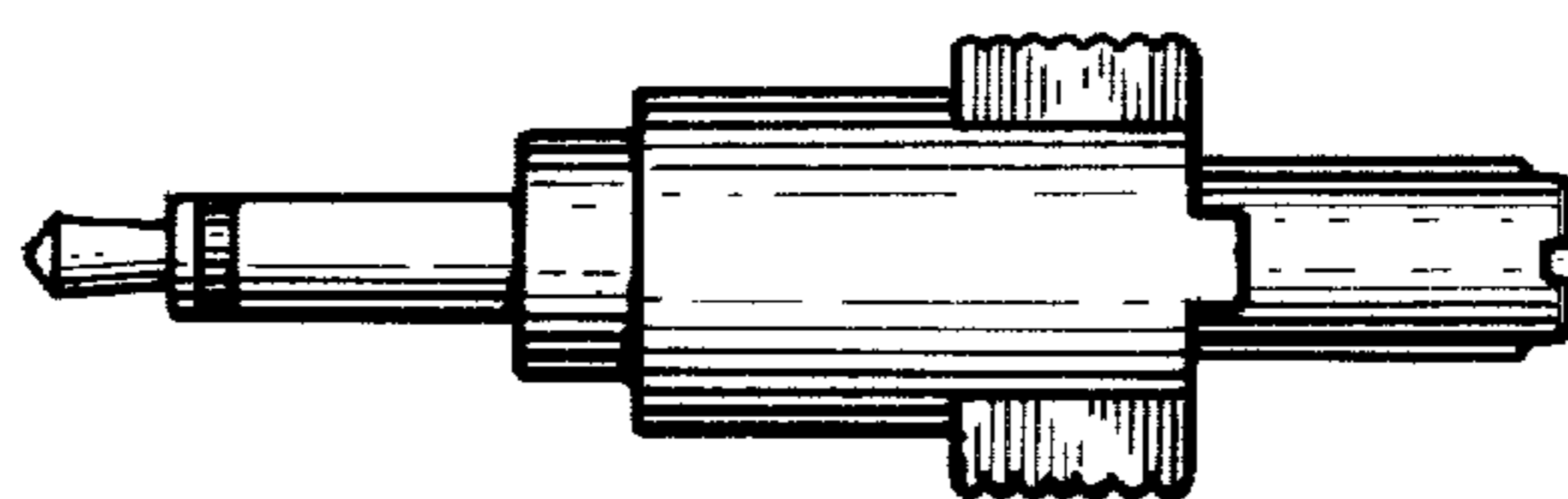


FIG. 5

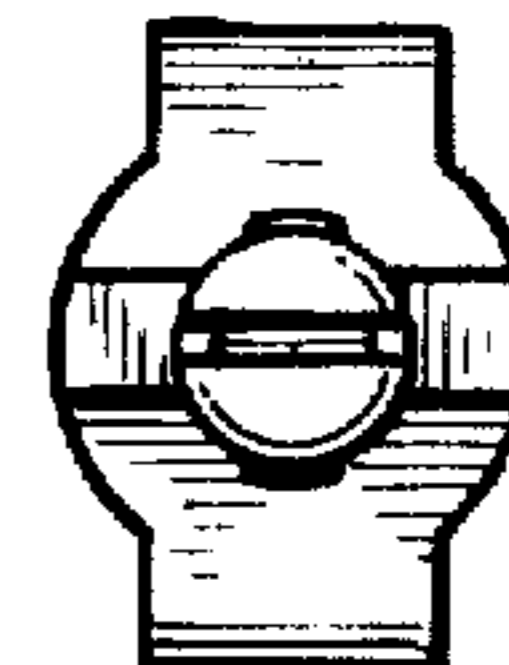


FIG. 6



FIG. 7

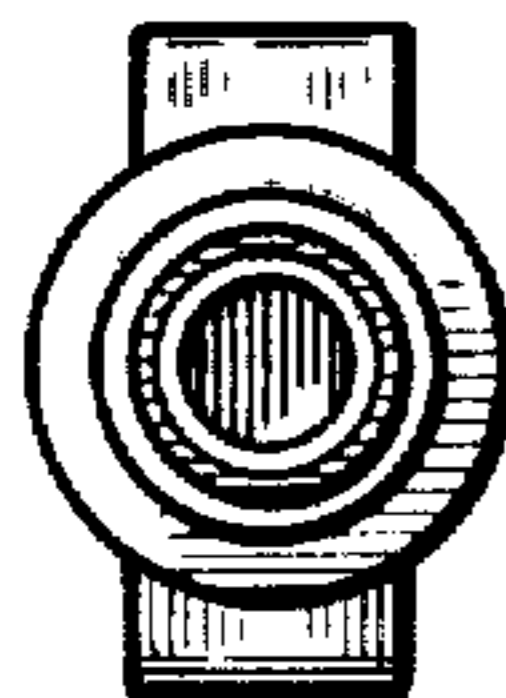


FIG. 8

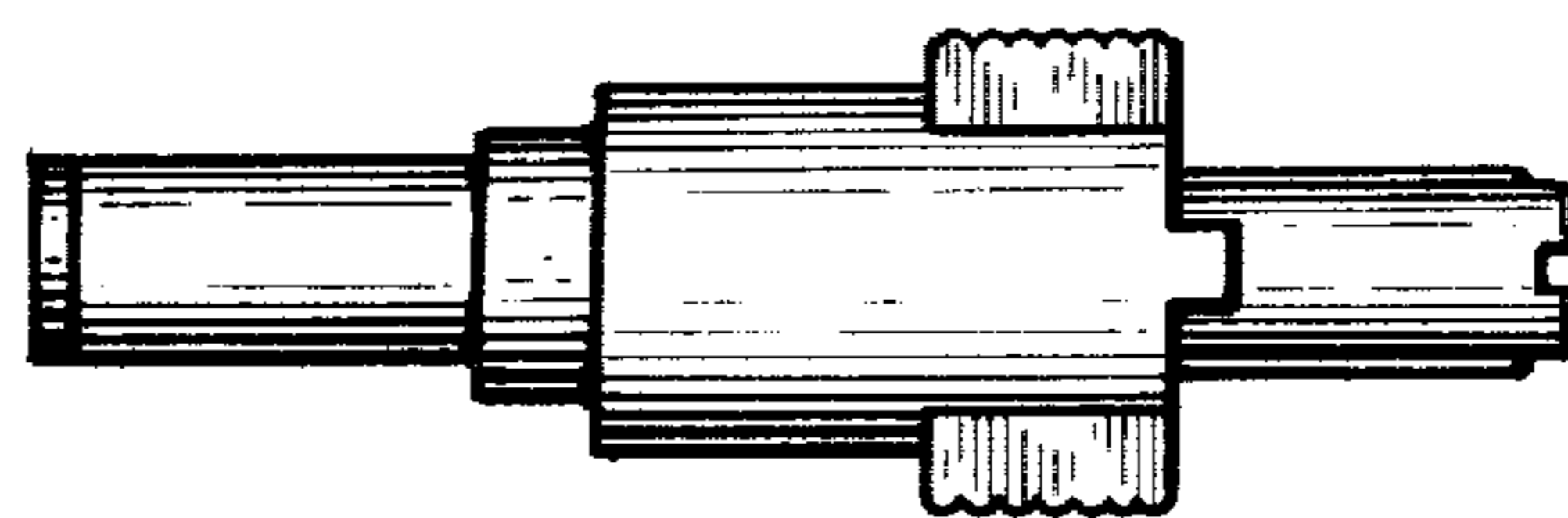


FIG. 9

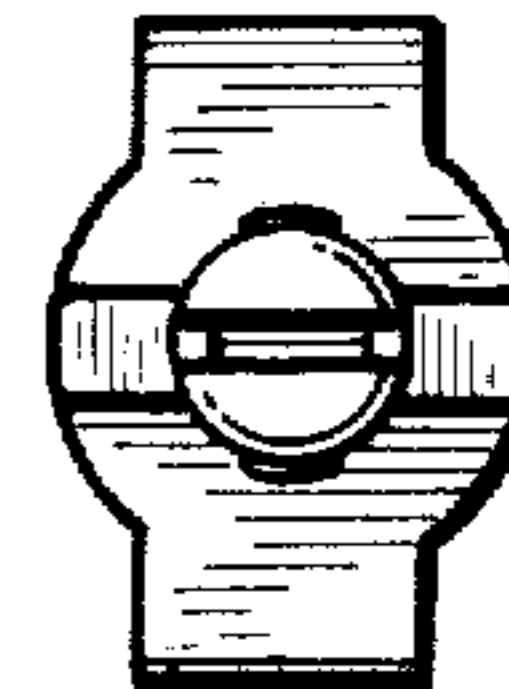
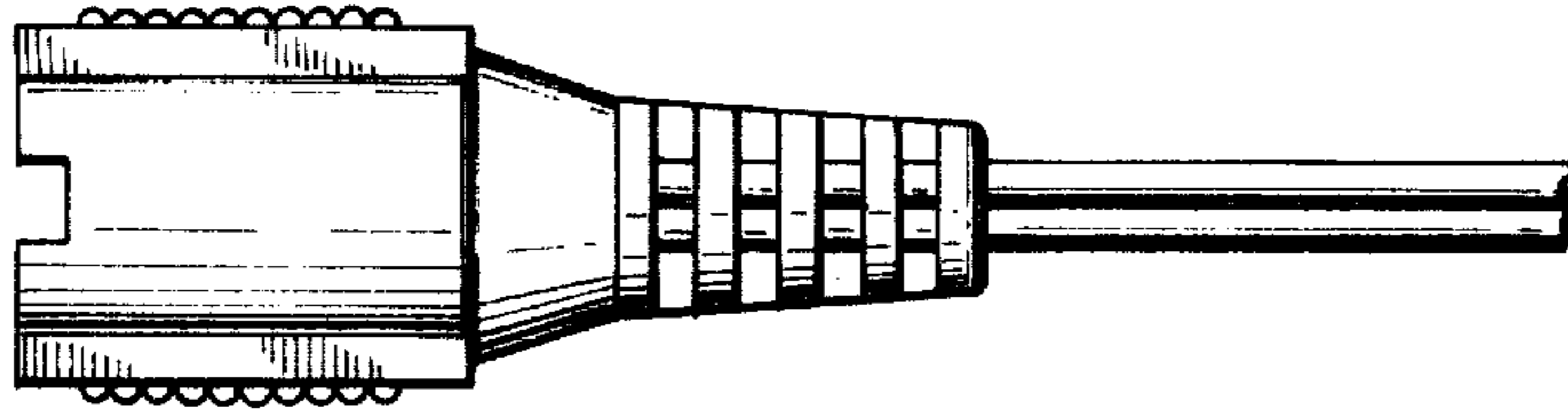
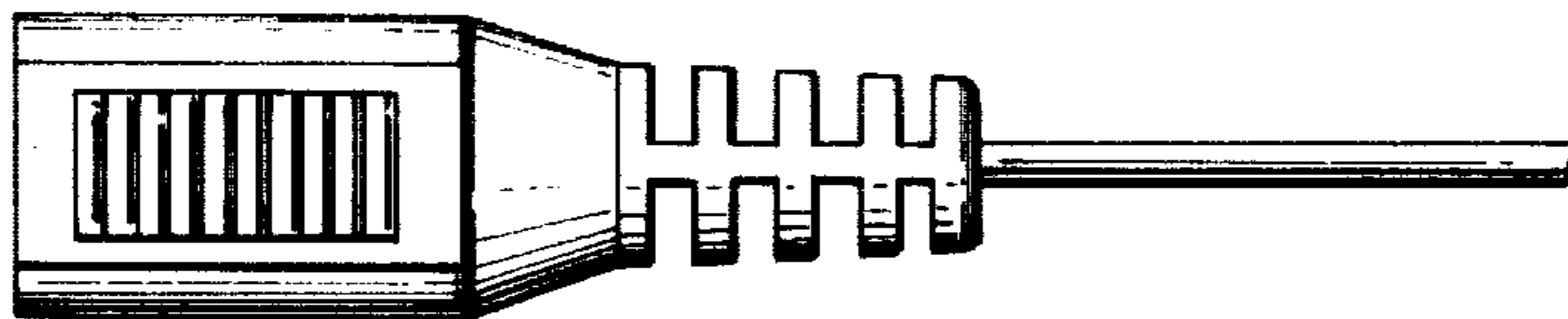


FIG. 10





*FIG. 11*



*FIG. 12*