

[54] **FIFTH WHEEL RECREATION VEHICLE**

[76] **Inventor:** James F. King, 1995 Chestnut St., Apt. #107, San Francisco, Calif. 94123.

[\*\*] **Term:** 14 Years

[21] **Appl. No.:** 107,368

[22] **Filed:** Dec. 26, 1979

[51] **Int. Cl.** ..... D12-10

[52] **U.S. Cl.** ..... D12/103

[58] **Field of Search** ..... D12/103; 280/423 R; 296/168, 156

[56] **References Cited**  
**PUBLICATIONS**

Klassic Brochure, rear cover, Fifth Wheel Recreation Vehicle, left side of page.

R. V. Dealer, 2/79, p. 114, Holiday Rambler Fifth Wheel, top left side of page.

R. V. Dealer, 3/79, p. 53, Komfort Ind. Fifth Wheel Trailer, bottom center of page.

R. V. Dealer, 9/79, p. 34, Komfort Fifth Wheel Trailer, top right side of page.

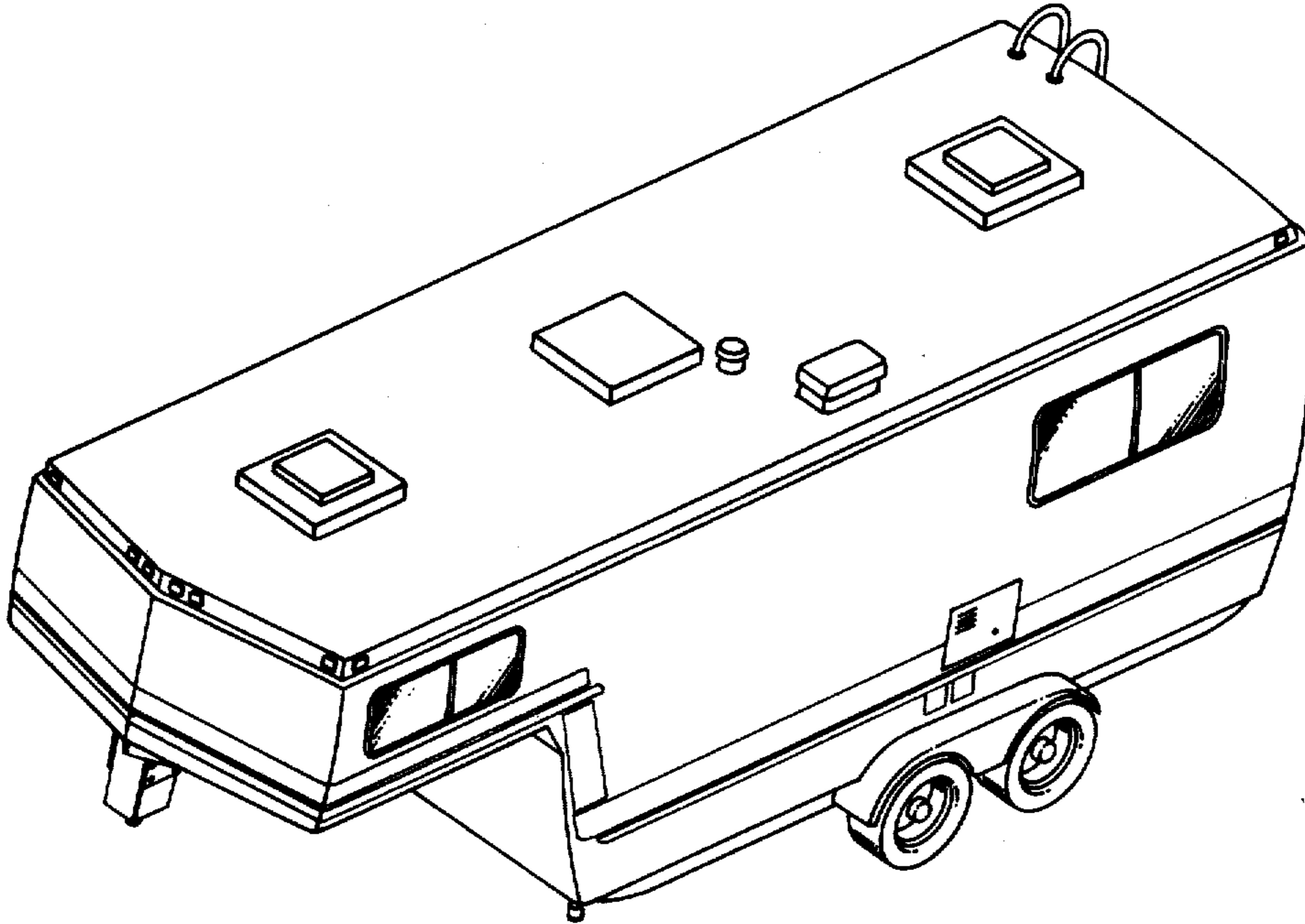
*Primary Examiner*—James M. Gandy  
*Attorney, Agent, or Firm*—Flehr, Hohbach, Test, Albritton & Herbert

[57] **CLAIM**

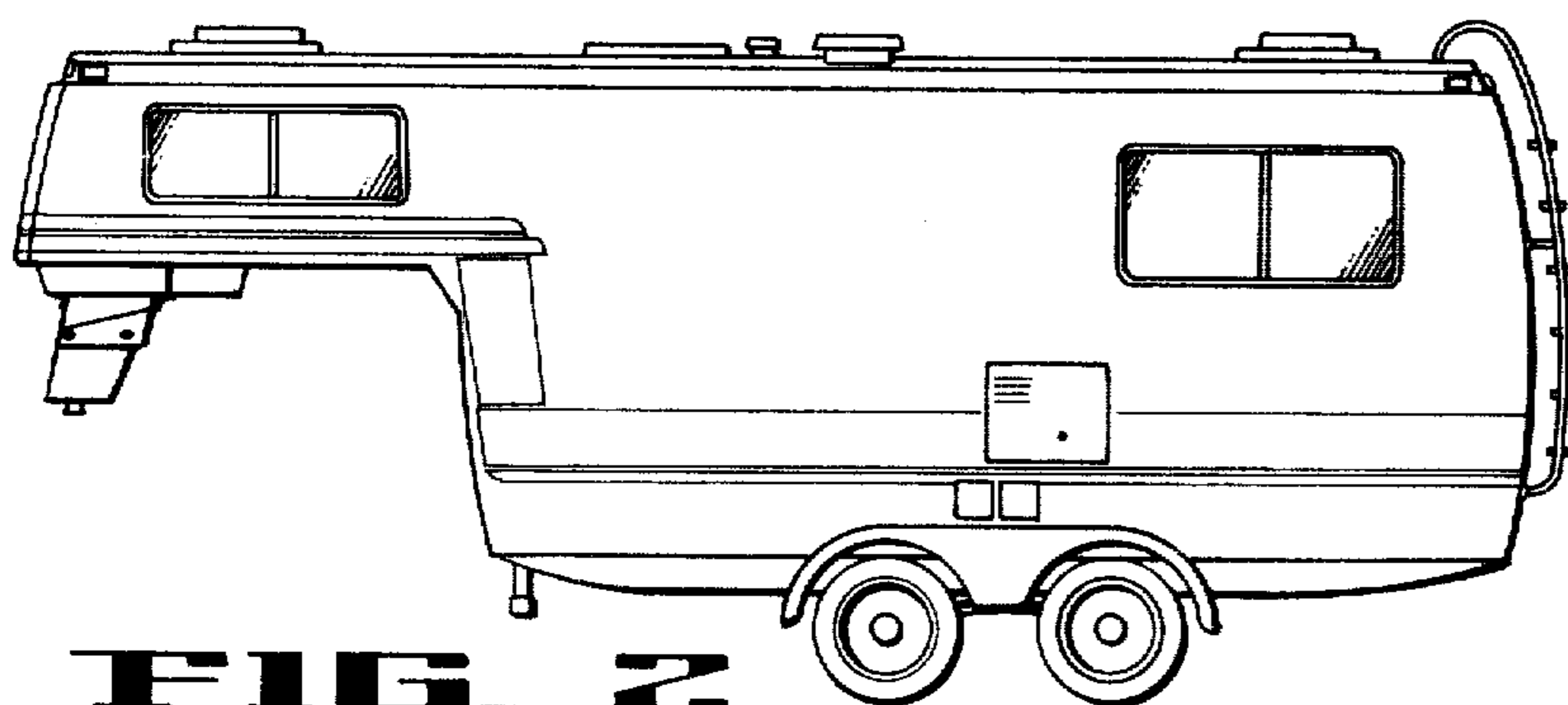
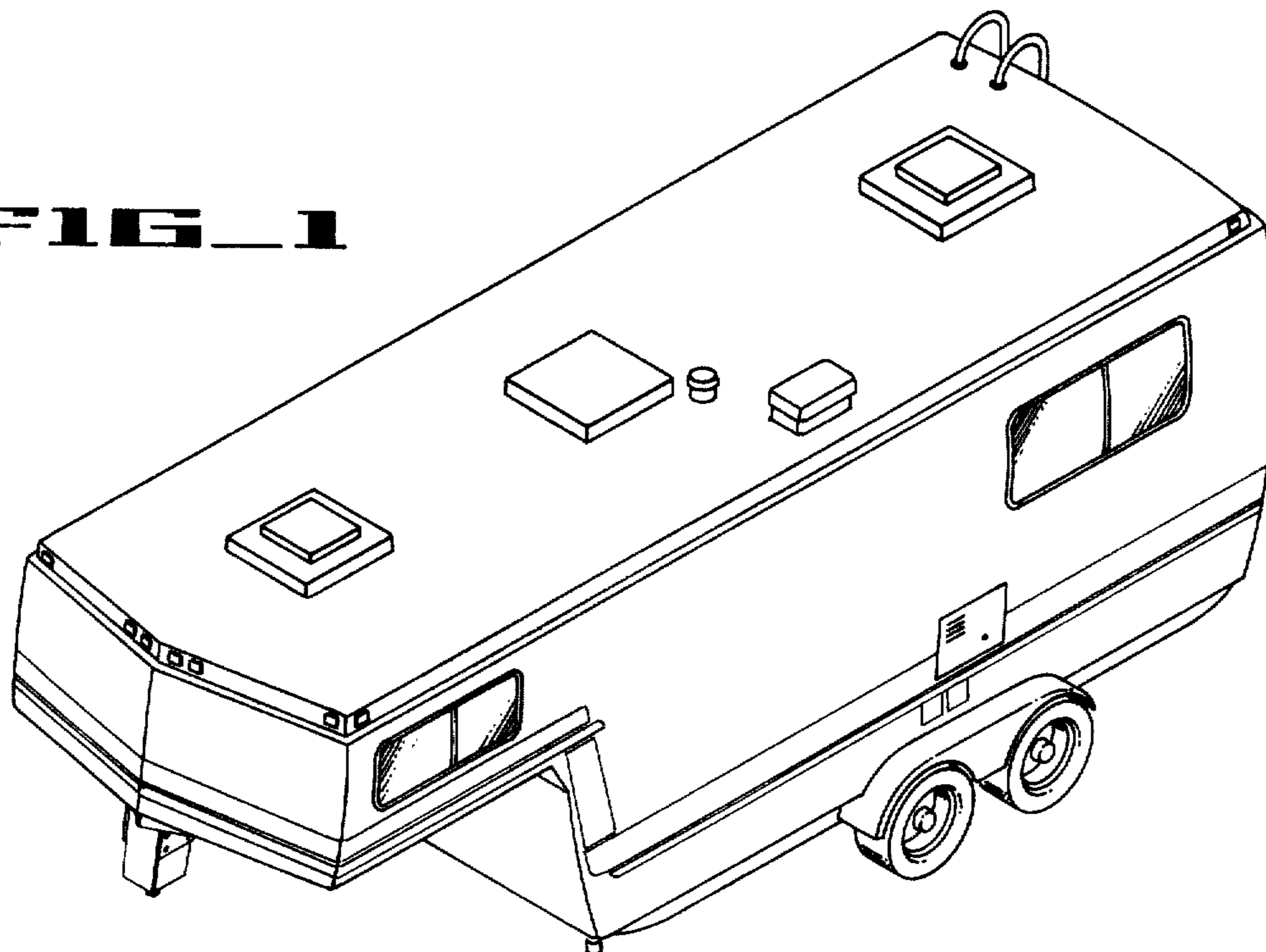
The ornamental design for a fifth wheel recreation vehicle, as shown and described.

**DESCRIPTION**

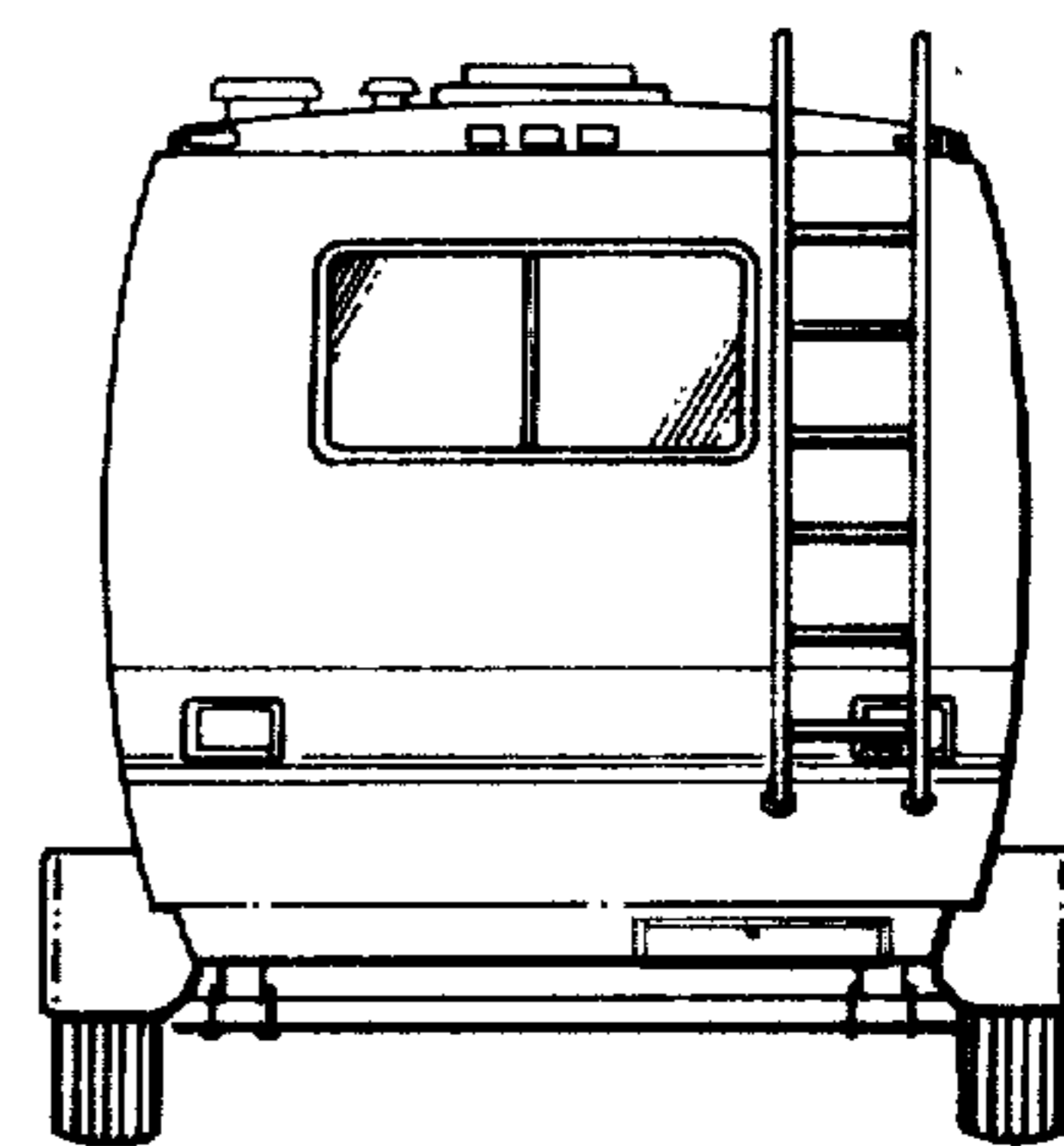
FIG. 1 is a top perspective view of a fifth wheel recreation vehicle showing my new design; FIG. 2 is a left side elevation view thereof; FIG. 3 is a rear elevation view thereof; FIG. 4 is a top plan view thereof; and FIG. 5 is a bottom perspective view thereof taken from below the right rear corner of the vehicle.



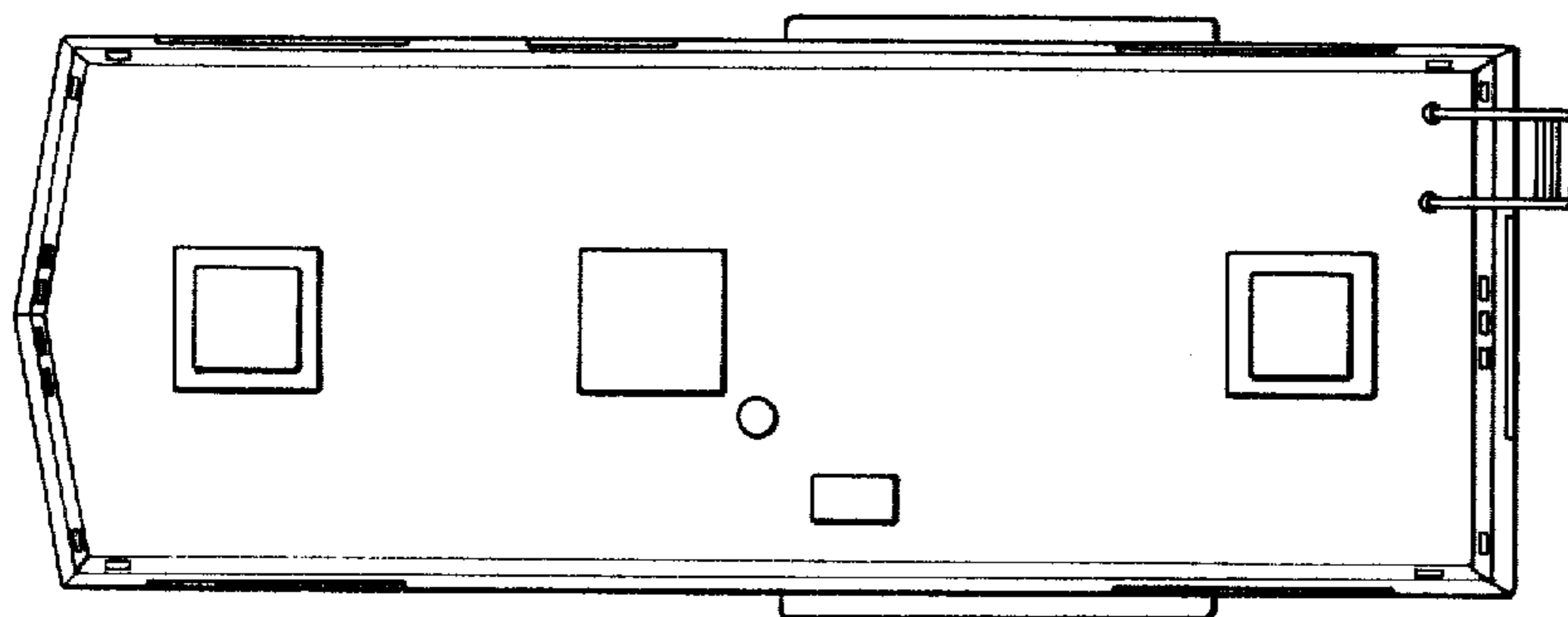
**FIG. 1**



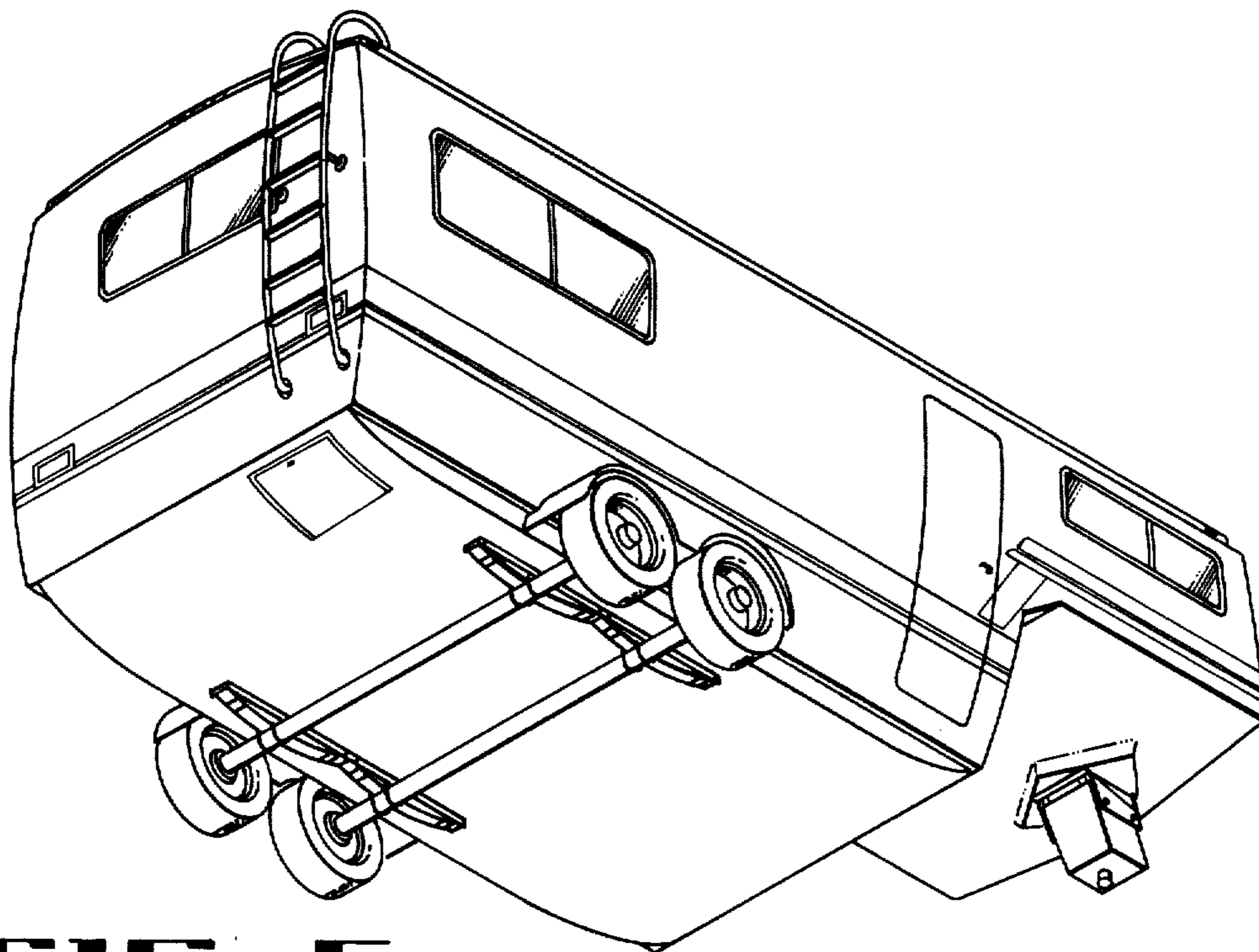
**FIG. 2**



**FIG. 3**



**FIG. 4**



**FIG. 5**