

[54] CONTAINER LID OR THE LIKE

[75] Inventors: David O. Chase, Skaneateles, N.Y.; Paul H. Pfuhl, Wrentham, Mass.

[73] Assignee: Mobil Oil Corporation, New York, N.Y.

[\*\*] Term: 14 Years

[21] Appl. No.: 214,600

[22] Filed: Dec. 9, 1980

[51] Int. Cl. .... D9-07

[52] U.S. Cl. .... D9/435; D9/443

[58] Field of Search ..... 229/2.5 R, 43; 220/200; D7/16, 17, 18, 76, 40; D9/435, 420-429, 432, 433, 438, 443

[56] References Cited

U.S. PATENT DOCUMENTS

D. 229,654 12/1973 Croyle et al. .... D7/76 X

D. 246,560 12/1977 Beauchamp et al. .... D7/16 X  
3,421,654 1/1969 Hexel ..... D9/435 X  
3,737,093 6/1973 Amberg et al. .... D7/76 X  
4,143,805 3/1979 Sutton ..... D7/18 X

OTHER PUBLICATIONS

Gifts & Decorative Accessories, Nov. 1975, p. 39, Lids on Containers in upper left.

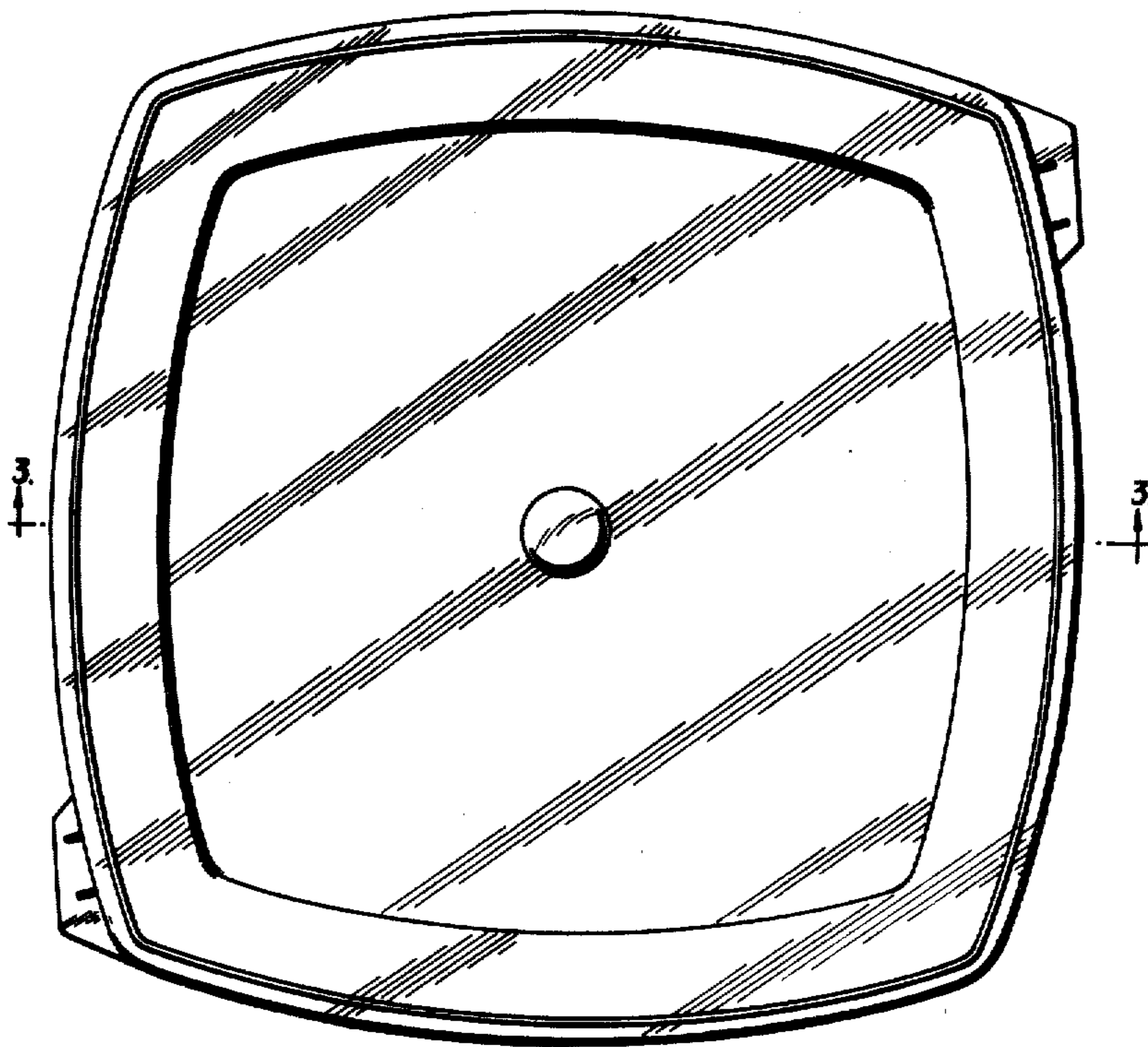
Primary Examiner—Robert C. Spangler  
Attorney, Agent, or Firm—Charles A. Huggett; James F. Powers, Jr.; James P. O'Sullivan, Sr.

[57] CLAIM

The ornamental design for a container lid or the like, as shown.

DESCRIPTION

FIG. 1 is a plan view of a container lid or the like, showing our new design; FIG. 2 is a side view thereof; and FIG. 3 is a cross-sectional view along lines 3—3 of FIG. 1.



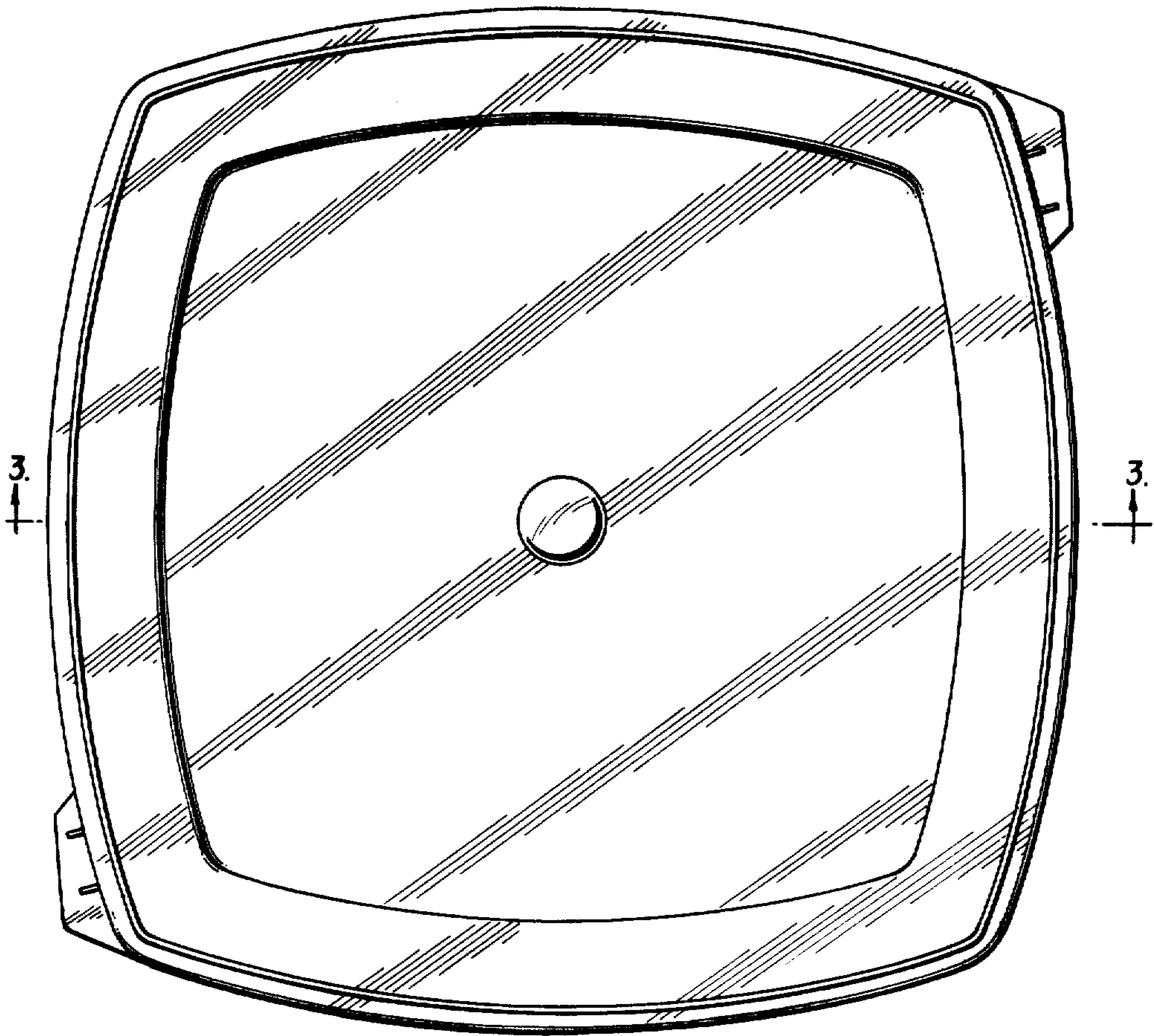


FIG. 1



FIG. 2



FIG. 3