

[54] PACKAGING CONTAINER

[76] Inventor: James Swann, P.O. Box 584, South Brisbane, Queensland, 4101, Australia

[**] Term: 14 Years

[21] Appl. No.: 159,516

[22] Filed: Jun. 16, 1980

[51] Int. Cl. D9-03

[52] U.S. Cl. D9/424; D9/430

[58] Field of Search D9/337, 414, 418, 424, D9/430, 432

[56] References Cited

U.S. PATENT DOCUMENTS

D. 123,940	12/1940	Worth et al.	D9/337
D. 242,022	10/1976	Bish	D9/432
D. 259,768	7/1981	Banasiak, Jr.	D9/414
2,172,196	9/1939	Flamm	D9/430

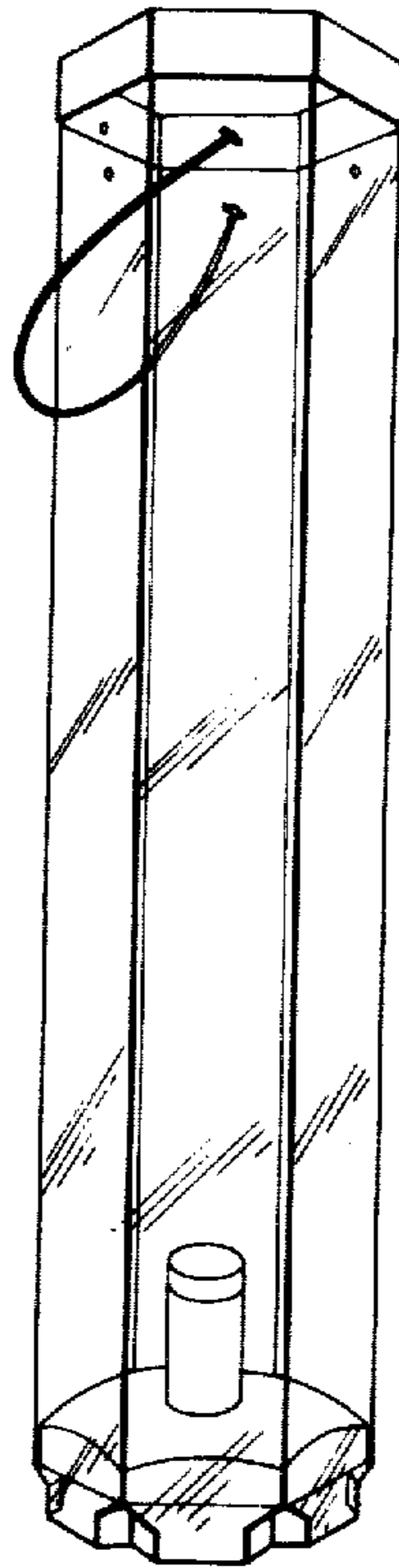
Primary Examiner—Robert C. Spangler
Attorney, Agent, or Firm—Schwartz, Jeffery, Schwaab, Mack, Blumenthal & Koch

[57] CLAIM

The ornamental design of a packaging container, as shown.

DESCRIPTION

FIG. 1 is a front perspective view of a packaging container showing my new design;
FIG. 2 is a top perspective view; and
FIG. 3 is a bottom perspective view thereof.



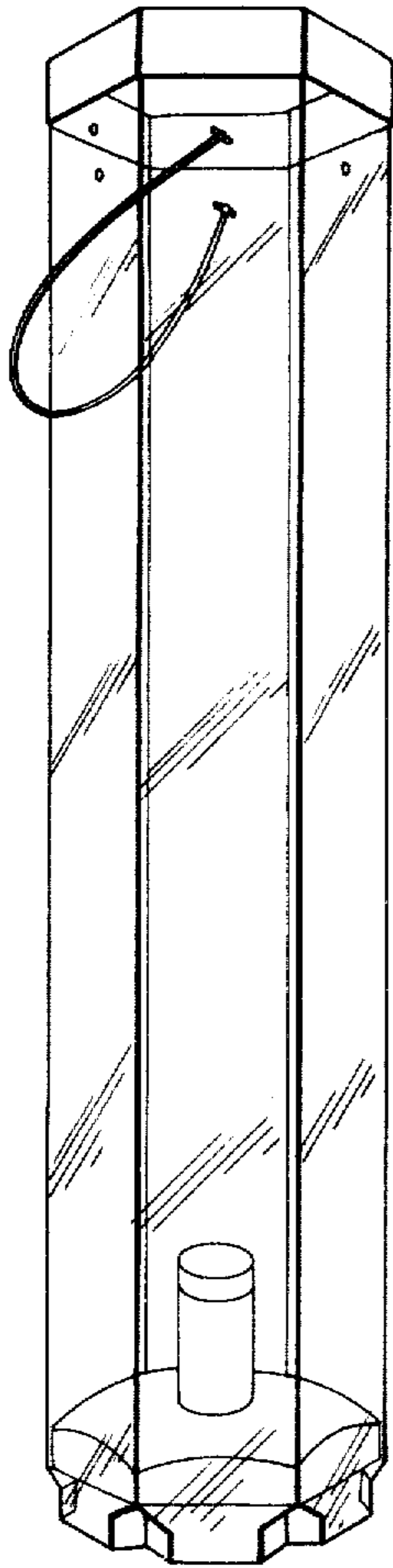


FIG. 1

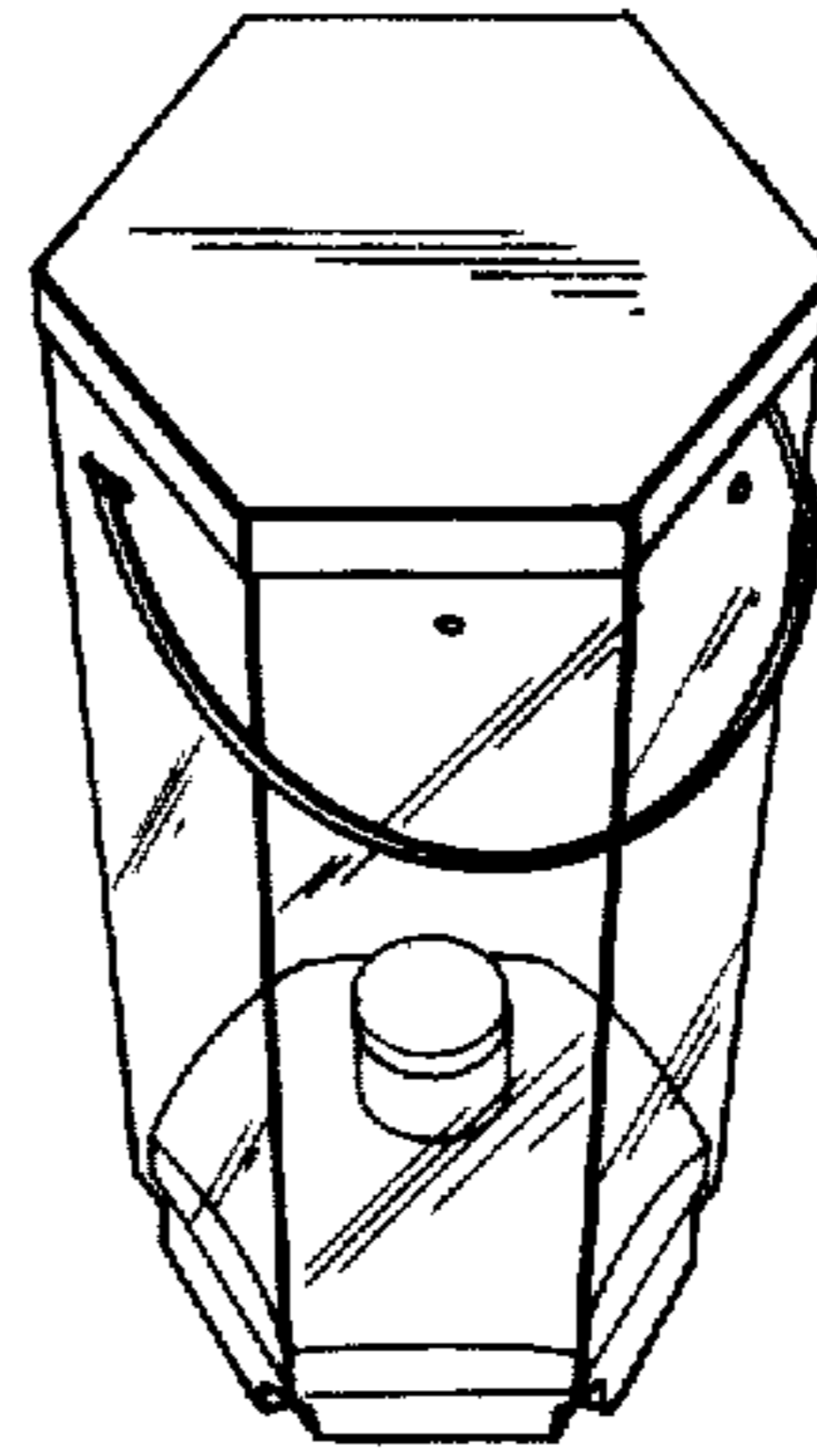


FIG. 2

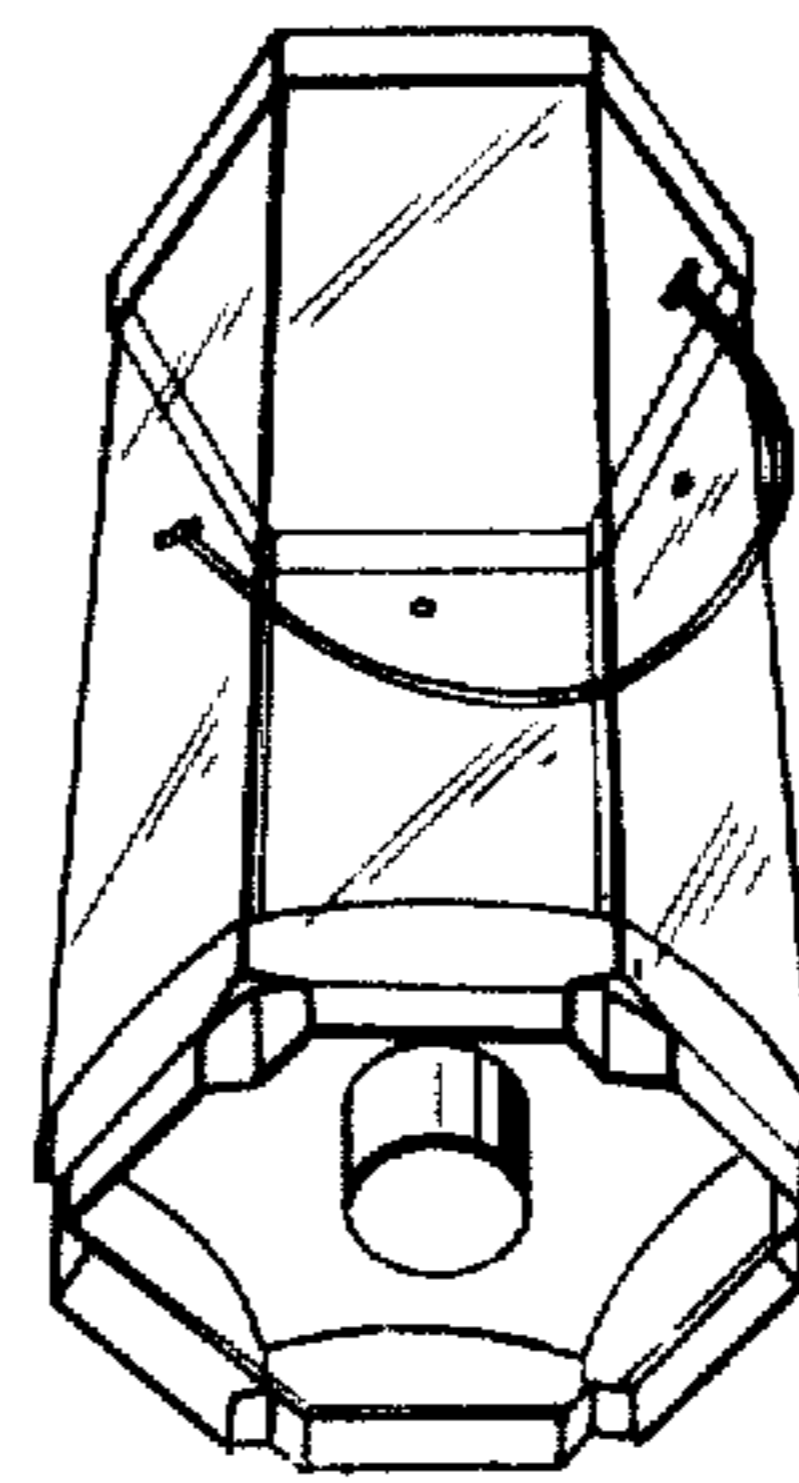


FIG. 3