

[54] AIR COMPRESSOR BRACKET

4,188,008 2/1980 Eagan 248/674 X

[76] Inventor: William F. Prawl, 5636 Tahama St., Sacramento, Calif. 95841

Primary Examiner—A. Hugo Word
Attorney, Agent, or Firm—Lothrop & West

[**] Term: 14 Years

[57] CLAIM

[21] Appl. No.: 208,564

The ornamental design for an air compressor bracket, as shown.

[22] Filed: Nov. 20, 1980

DESCRIPTION

[51] Int. Cl. D8-08

FIG. 1 is a right front perspective of an air compressor bracket, showing my new design;

[52] U.S. Cl. D8/380; D8/354

FIG. 2 is a front elevational view thereof;

[58] Field of Search 52/738; 248/674, 544, 248/565; D8/354, 380, 381; D15/5, 7, 9

FIG. 3 is an elevational view of the left hand end of the design shown in FIG. 2;

[56] References Cited

U.S. PATENT DOCUMENTS

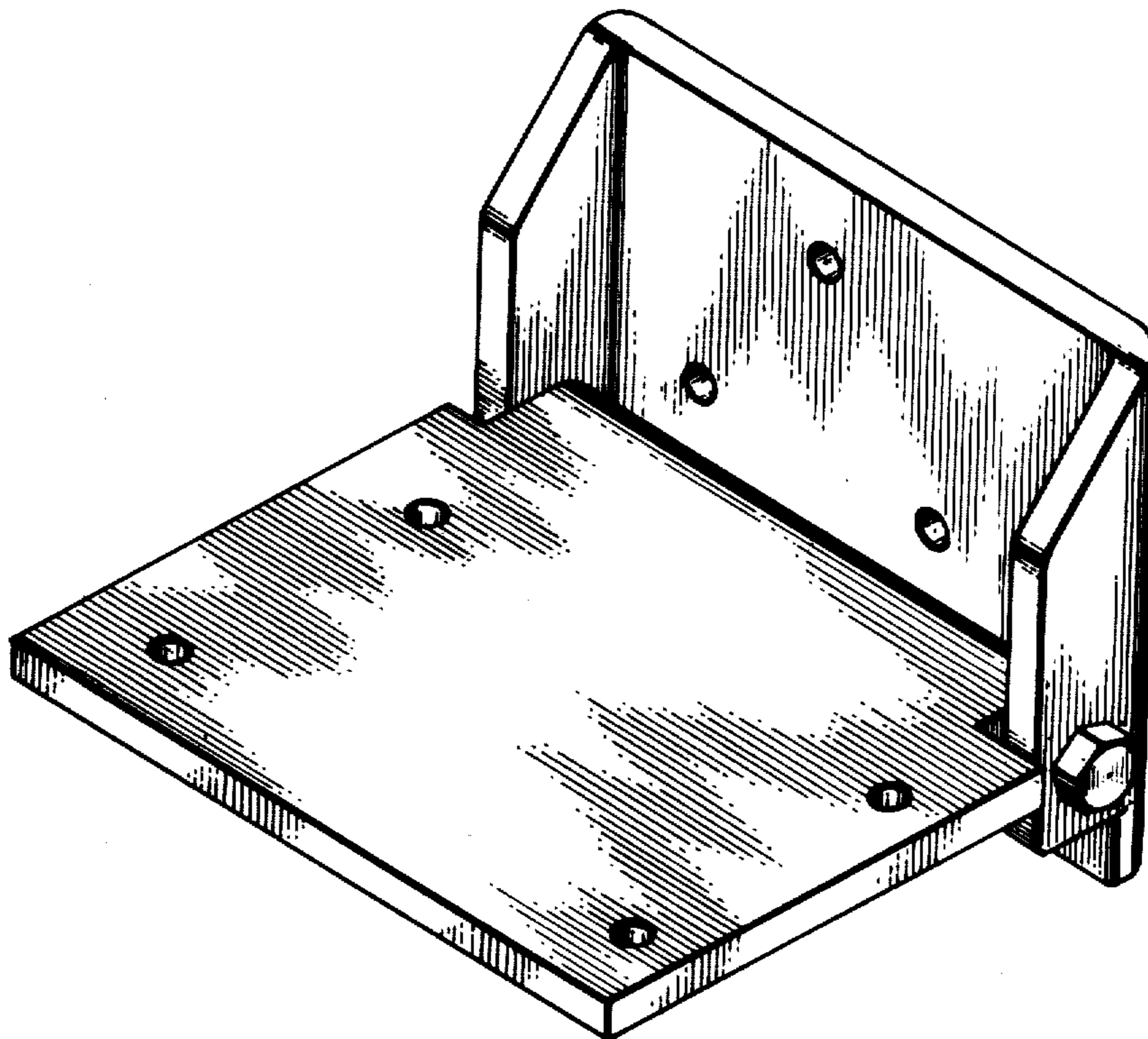
- 3,339,868 9/1967 Ehrens et al. 248/674
- 3,746,290 7/1973 Sholtes 248/674
- 3,918,232 11/1975 Edwards 52/738

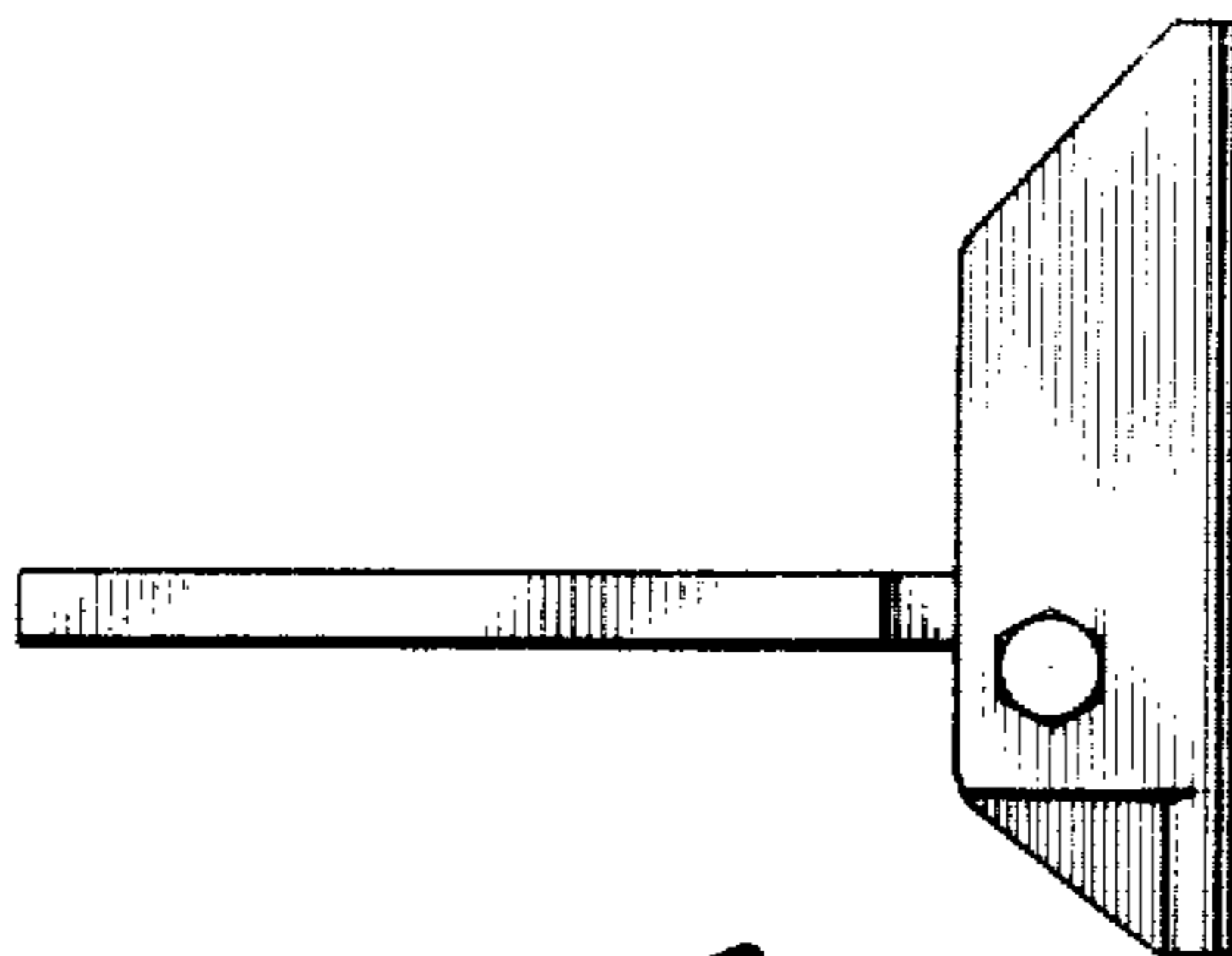
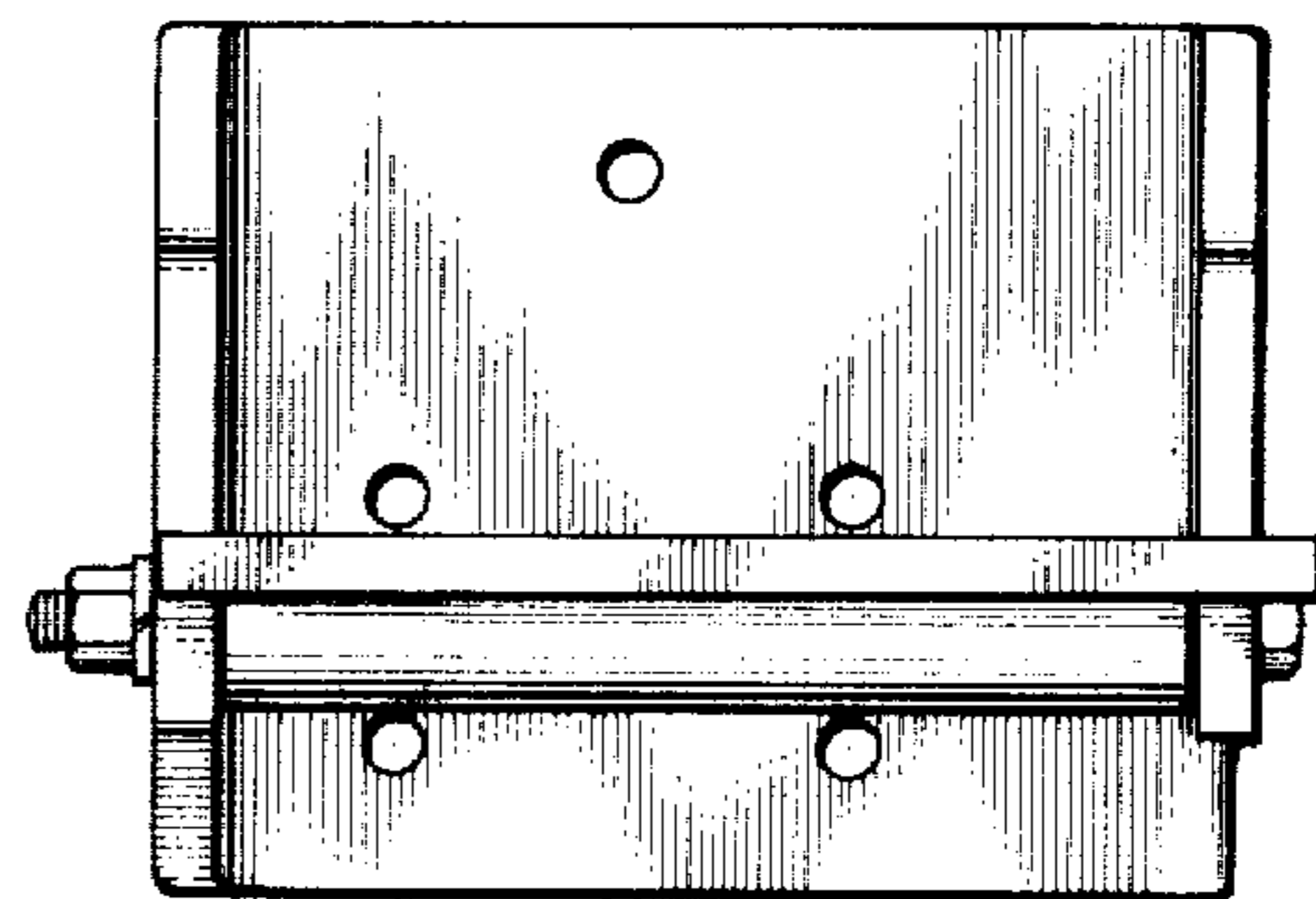
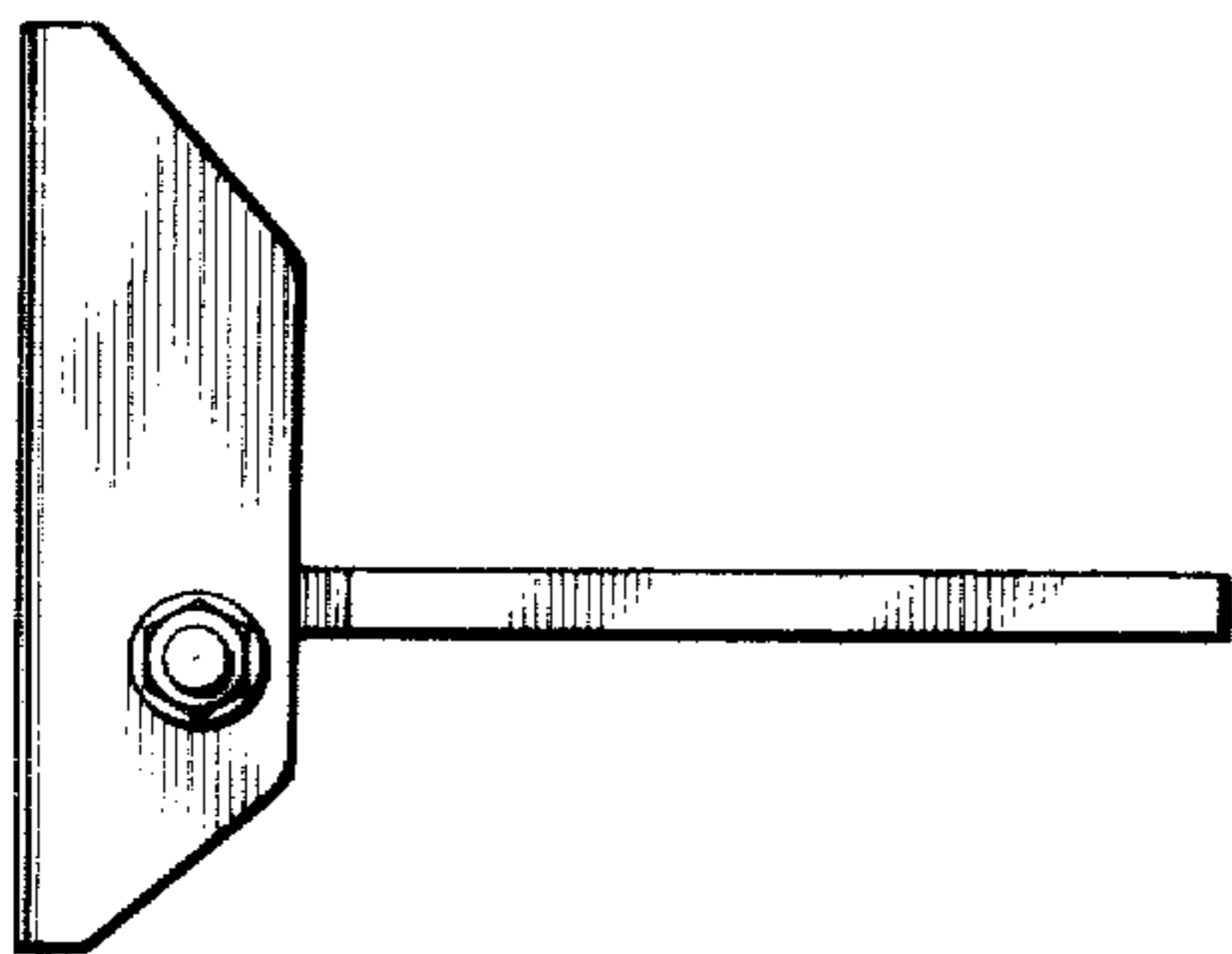
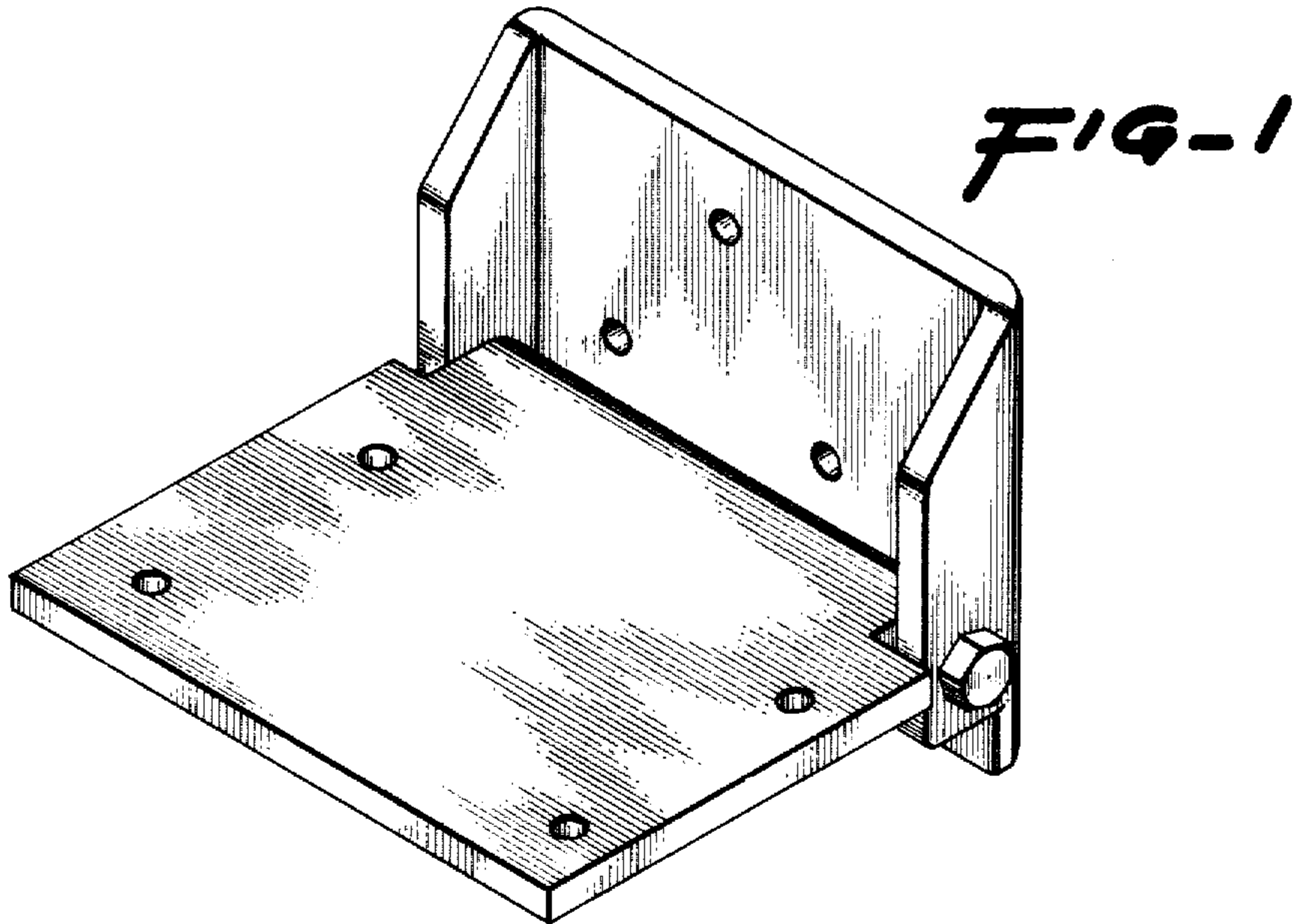
FIG. 4 is an elevational view of the right hand end of the design shown in FIG. 2;

FIG. 5 is a rear elevational view thereof;

FIG. 6 is a top plan view, thereof; and,

FIG. 7 is a bottom plan view.





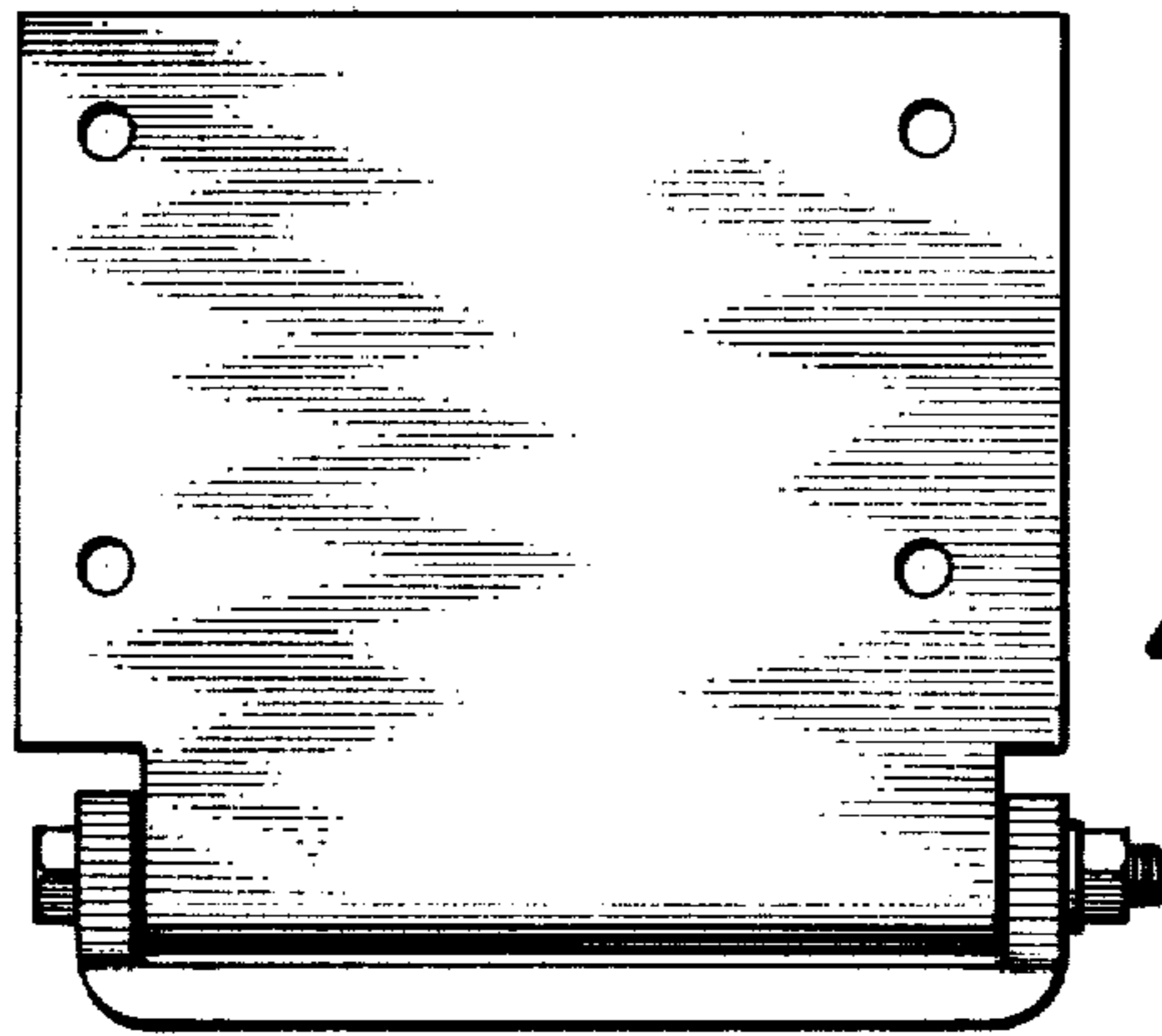


FIG-6

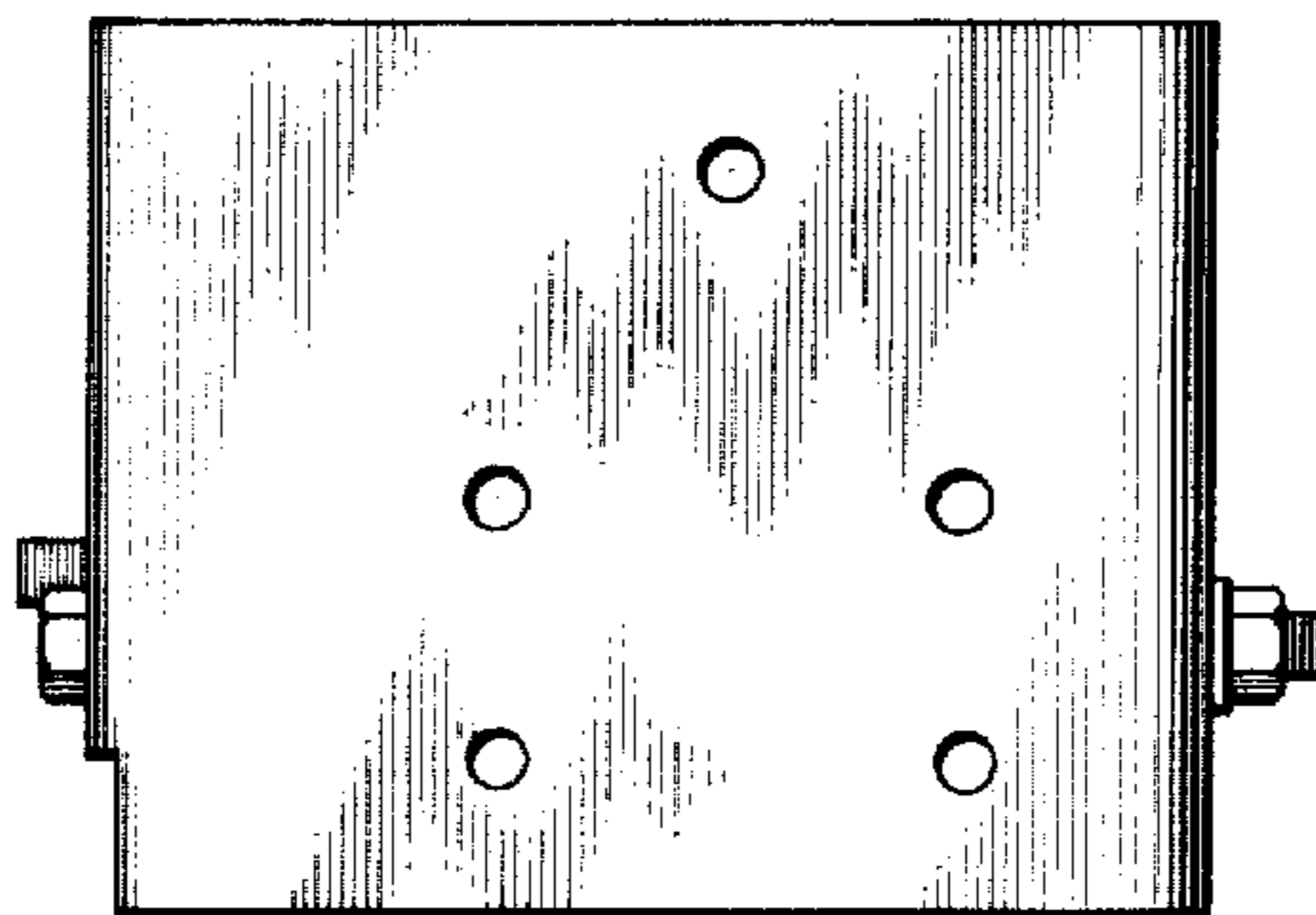


FIG-5

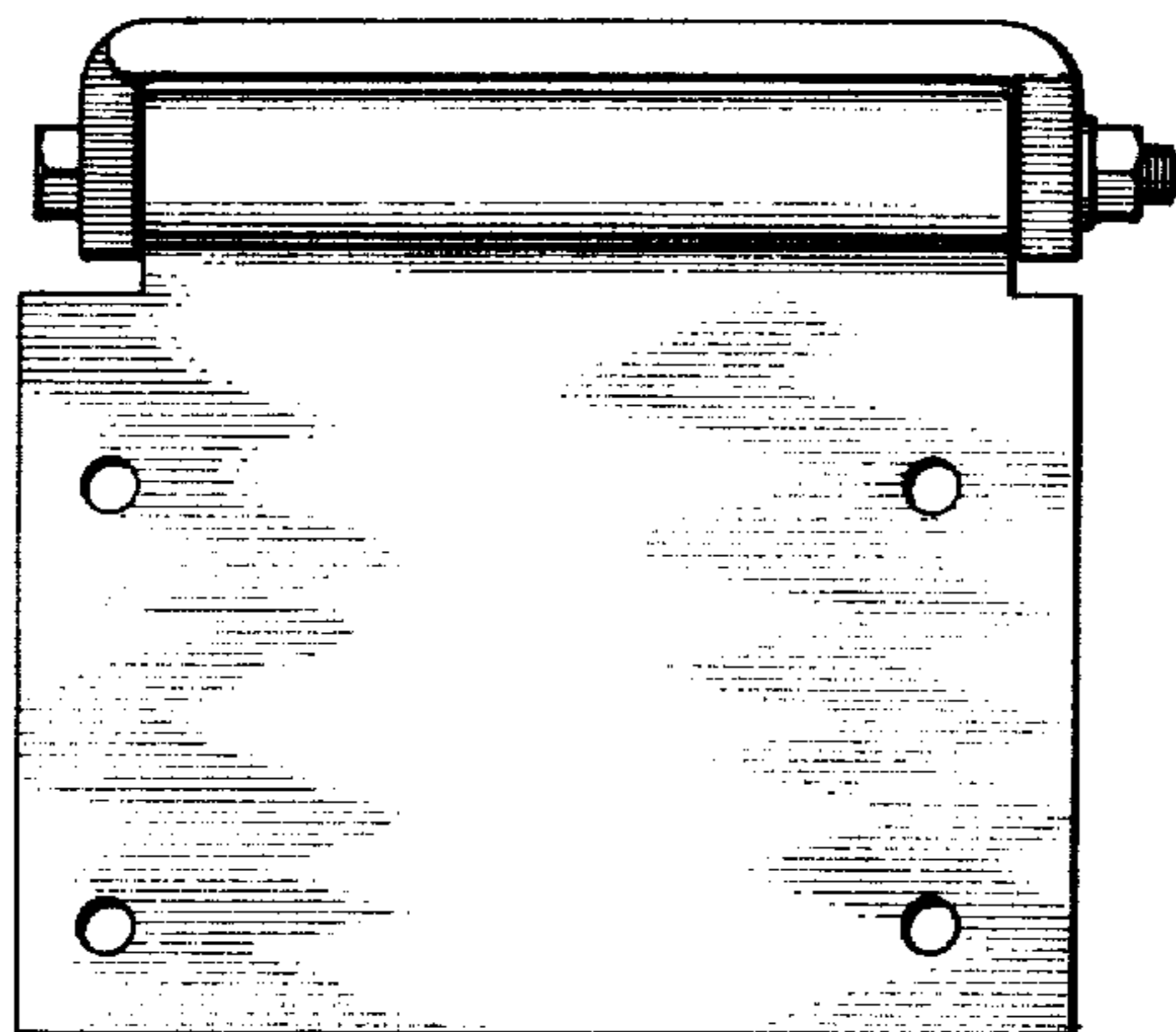


FIG-7