

[54] CONTOURED BED SHEET

[76] Inventor: Eugene A. Adams, 110 E. 176th St., Bronx, N.Y. 10453

[**] Term: 14 Years

[21] Appl. No.: 178,222

[22] Filed: Aug. 14, 1980

Related U.S. Application Data

[63] Continuation-in-part of Ser. No. 946,853, Sep. 28, 1978, abandoned.

[51] Int. Cl. D6-13

[52] U.S. Cl. D6/264; D6/258

[58] Field of Search D6/258, 264-267, D6/269, 205; 5/495, 496, 498, 499

[56] References Cited

U.S. PATENT DOCUMENTS

3,083,378	4/1963	Pursell	5/498
3,377,636	4/1968	Di Addario	5/499
3,654,059	4/1972	Zisblatt	D6/264
3,761,973	10/1973	Leventhal	5/499 X
4,145,778	3/1979	Ferrante et al.	5/496

Primary Examiner—Jane E. Corrigan
Attorney, Agent, or Firm—Jordan and Hamburg

[57] CLAIM

The ornamental design for a contoured bed sheet, substantially as shown and described.

DESCRIPTION

FIG. 1 is a front, top and right side perspective view of a contoured bed sheet showing my new design as it appears folded on a mattress;
FIG. 2 is a front elevational view thereof;
FIG. 3 is a left side elevational view thereof;
FIG. 4 is a view like FIG. 1 of the sheet in unfolded, open condition; and
FIG. 5 is a bottom plan view in the condition of FIGS. 1-3.

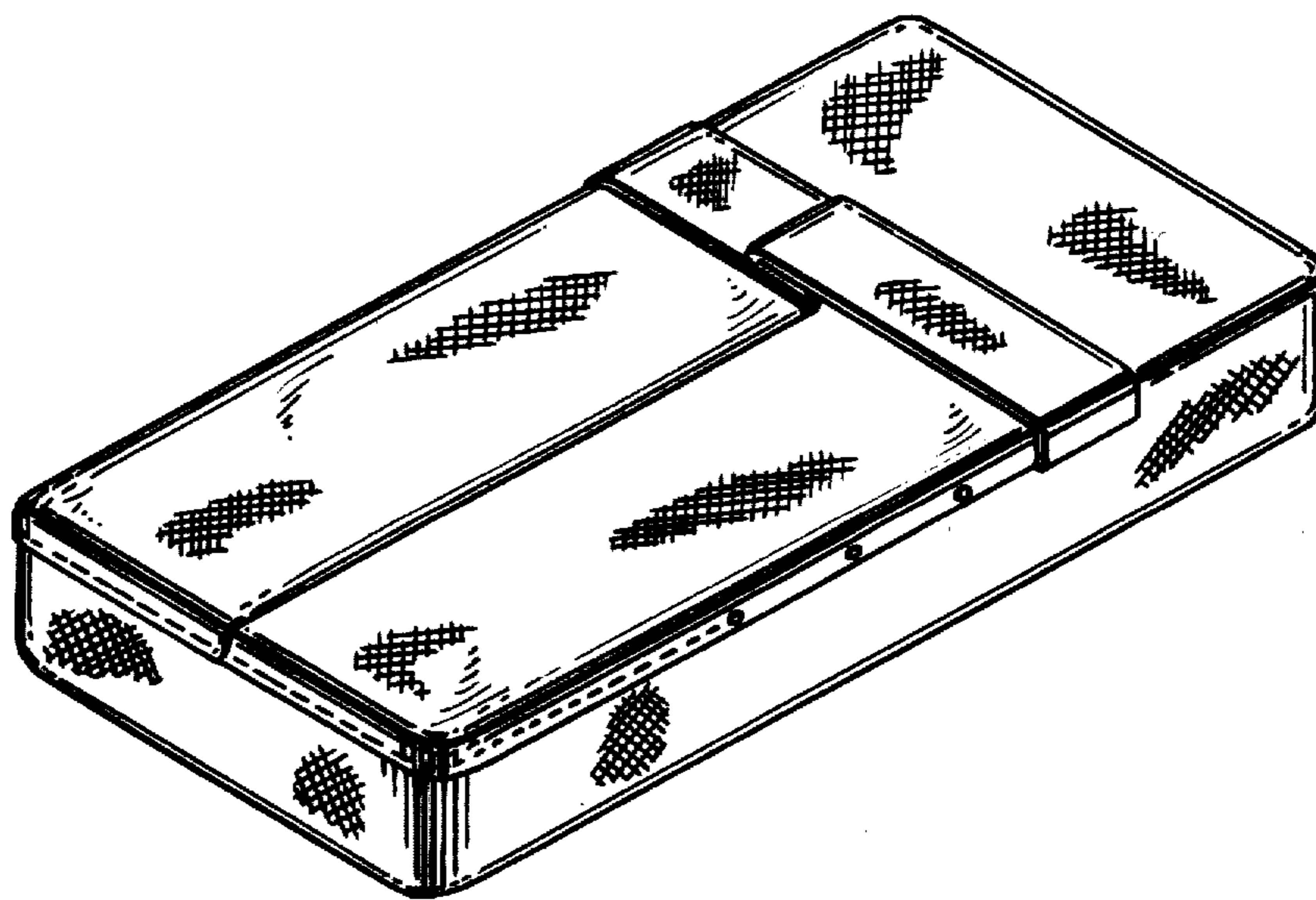


FIG. 1

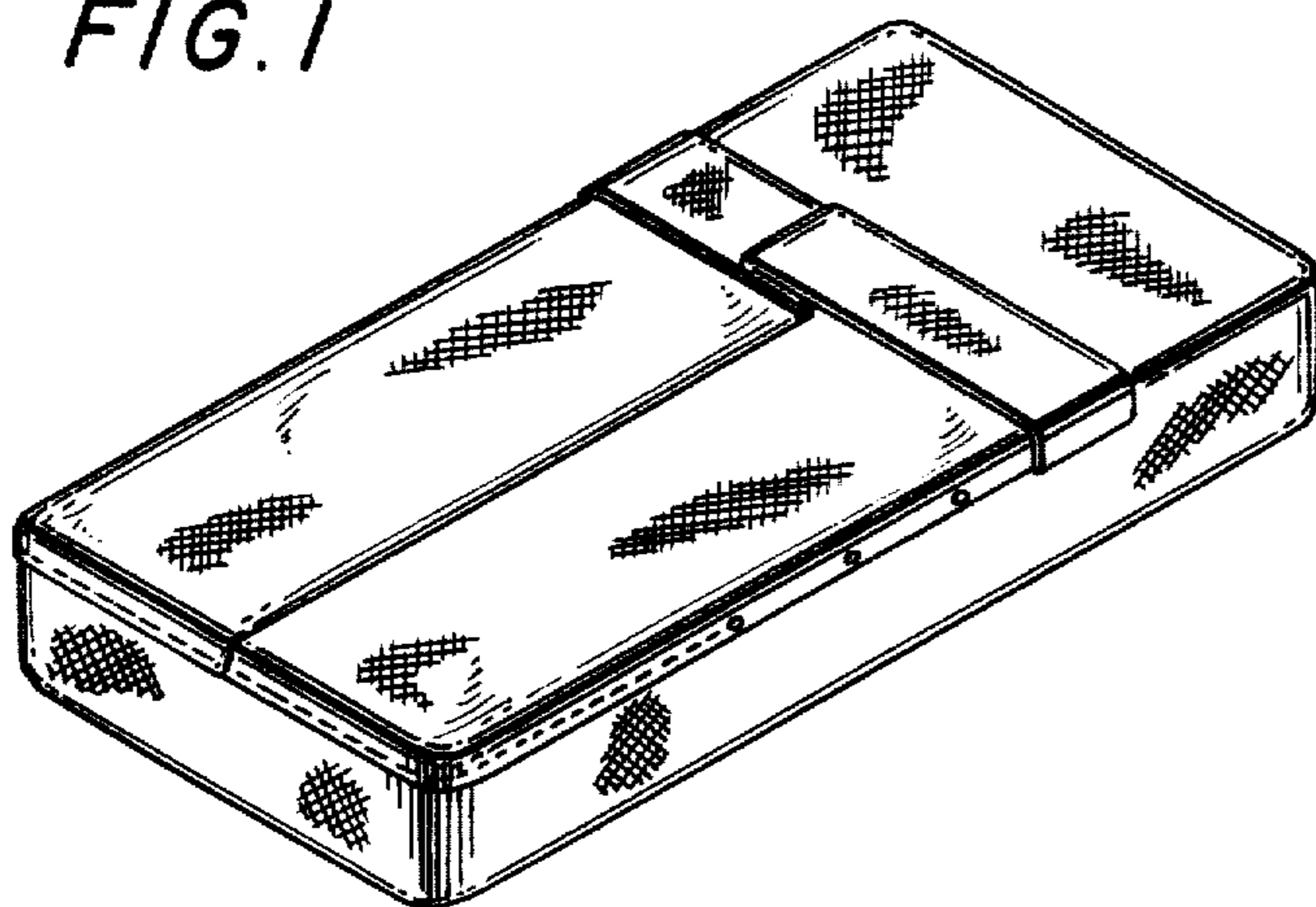


FIG. 2



FIG. 3

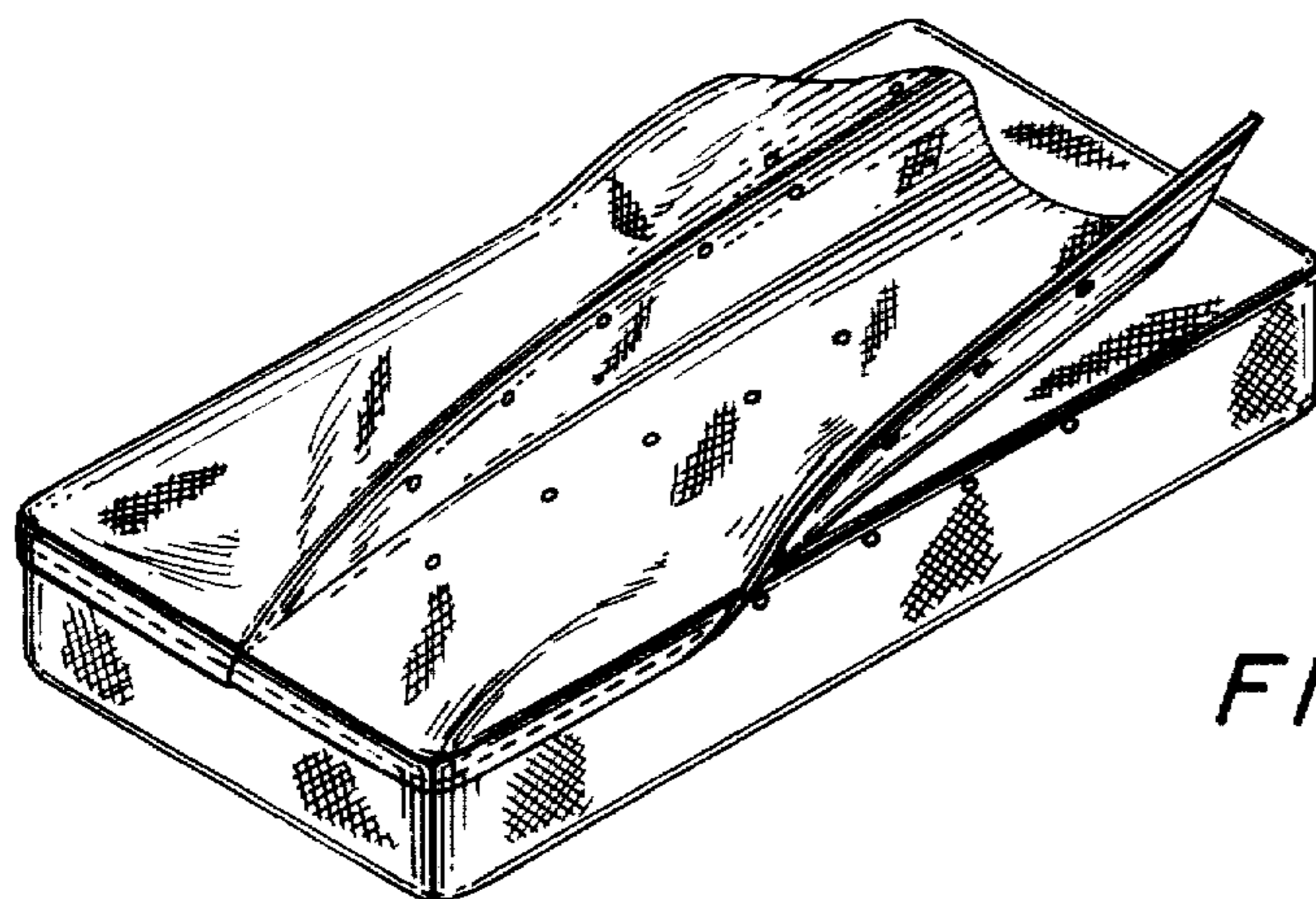


FIG. 4

FIG. 5

