

[54] DOCUMENTATION HANGER BAR

3,244,127 4/1966 Evans 108/108

[75] Inventors: Edmund T. Paquette, Shrewsbury; Richard M. Latino, Worcester, both of Mass.

OTHER PUBLICATIONS

Interiors, vol. 131, Sep. 1971, p. 85, Modular Shelf in right center.

[73] Assignee: Wright Line Inc., Worcester, Mass.

Primary Examiner—Leland A. Sebastian
Attorney, Agent, or Firm—Milton E. Gilbert; Gary E. Ross

[**] Term: 14 Years

[21] Appl. No.: 141,124

[22] Filed: Apr. 17, 1980

[57] CLAIM

The ornamental design for a documentation hanger bar, as shown and described.

[51] Int. Cl. D6-06

[52] U.S. Cl. D6/191; D6/181

[58] Field of Search D6/114, 130, 132-135, D6/181, 182, 184-186, 188-191; 108/59, 108, 114, 152; 211/134, 135, 153, 186, 187; 312/242

DESCRIPTION

FIG. 1 is a front elevational view of a hanger bar showing our new design;
FIG. 2 is a right side elevational view, the left side being substantially identical thereto;
FIG. 3 is a rear elevational view;
FIG. 4 is a top plan view;
FIG. 5 bottom plan view; and,
FIG. 6 is a perspective view.

[56] References Cited

U.S. PATENT DOCUMENTS

- D. 193,243 7/1962 Chapman et al. D6/136
- D. 220,703 5/1971 Deguchi et al. D6/179
- 2,639,040 5/1953 Tapley D6/191 X

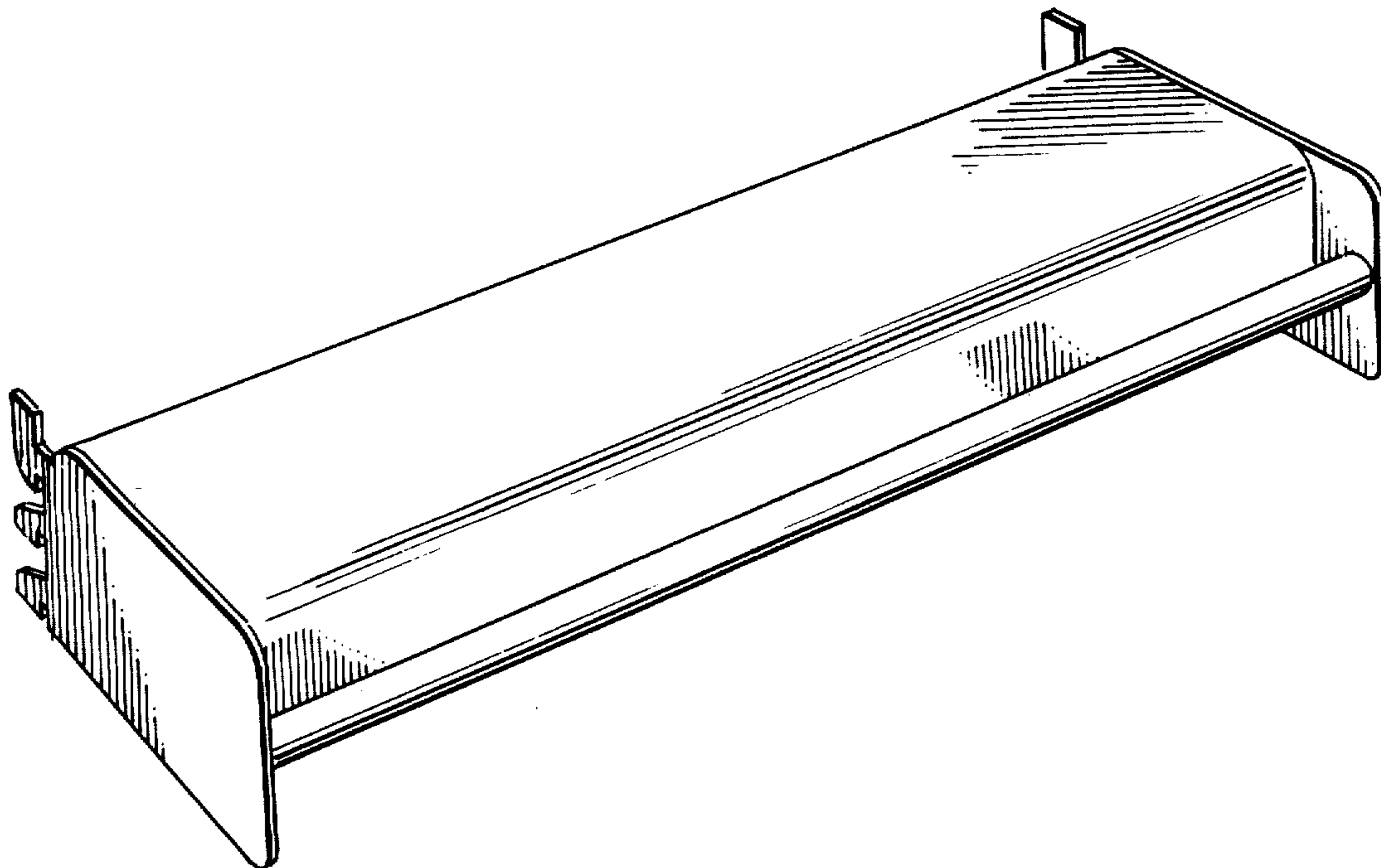




FIG. 1

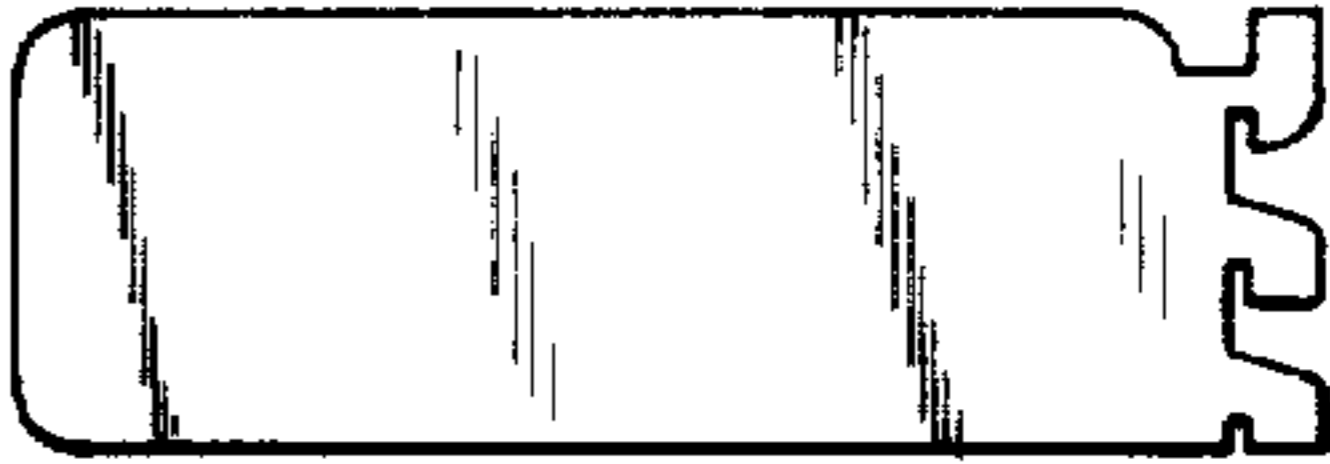


FIG. 2

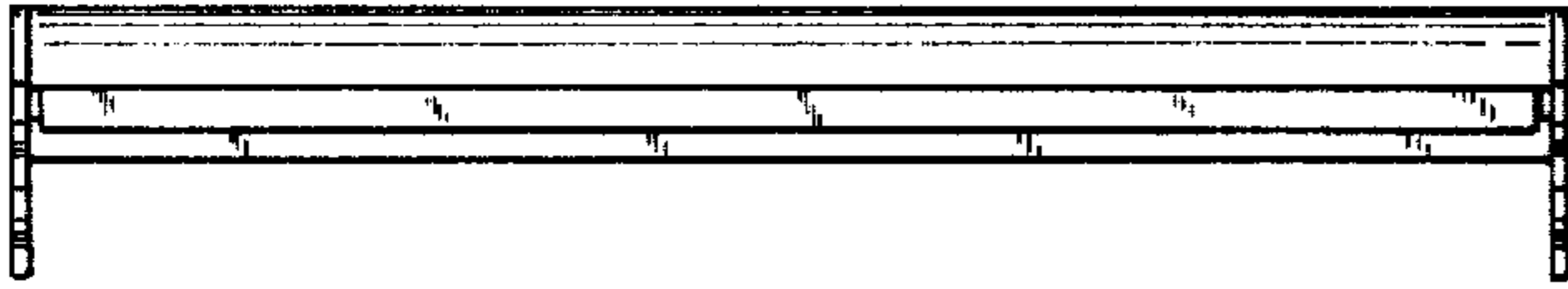


FIG. 3

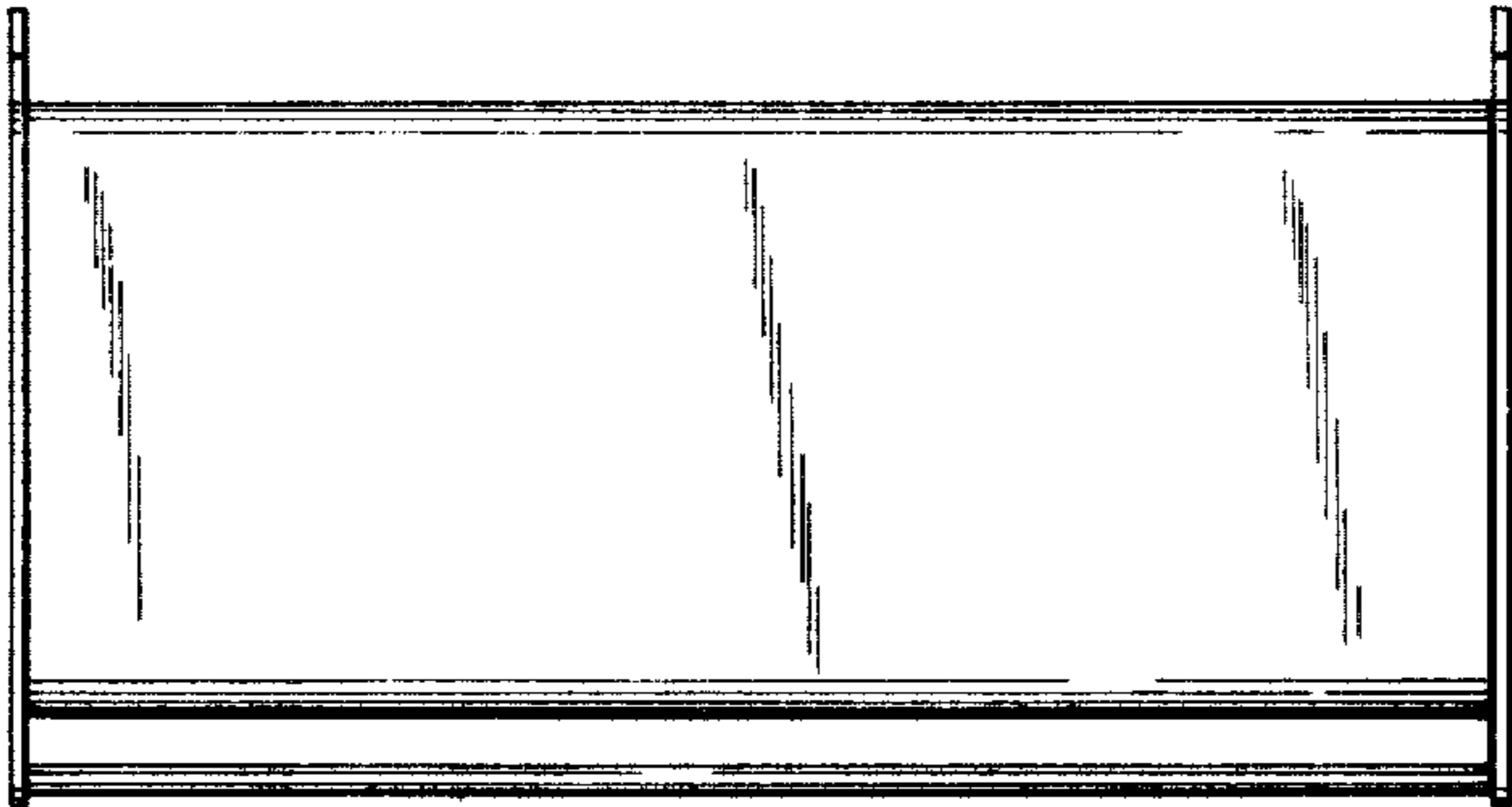


FIG. 4

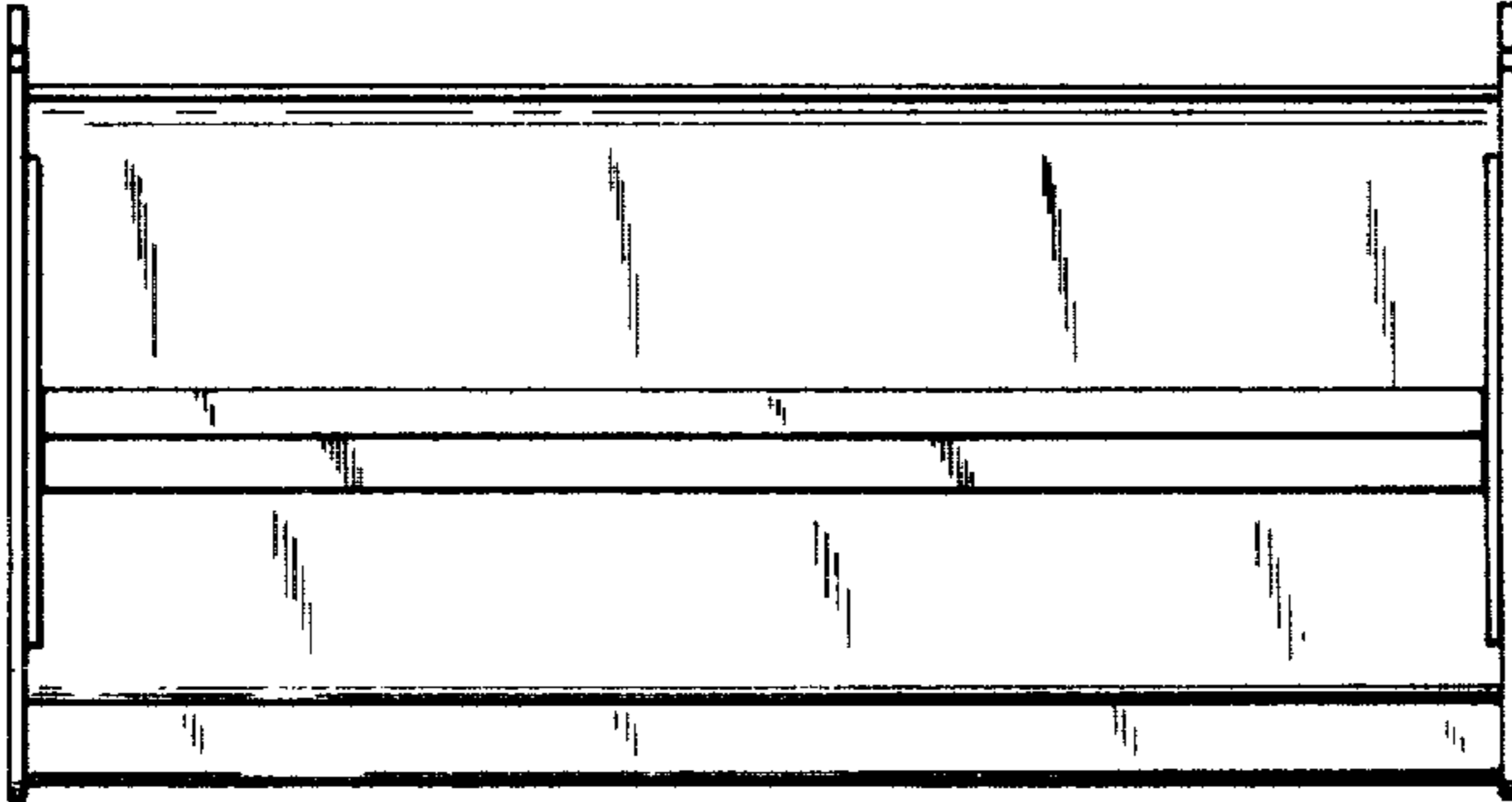


FIG. 5

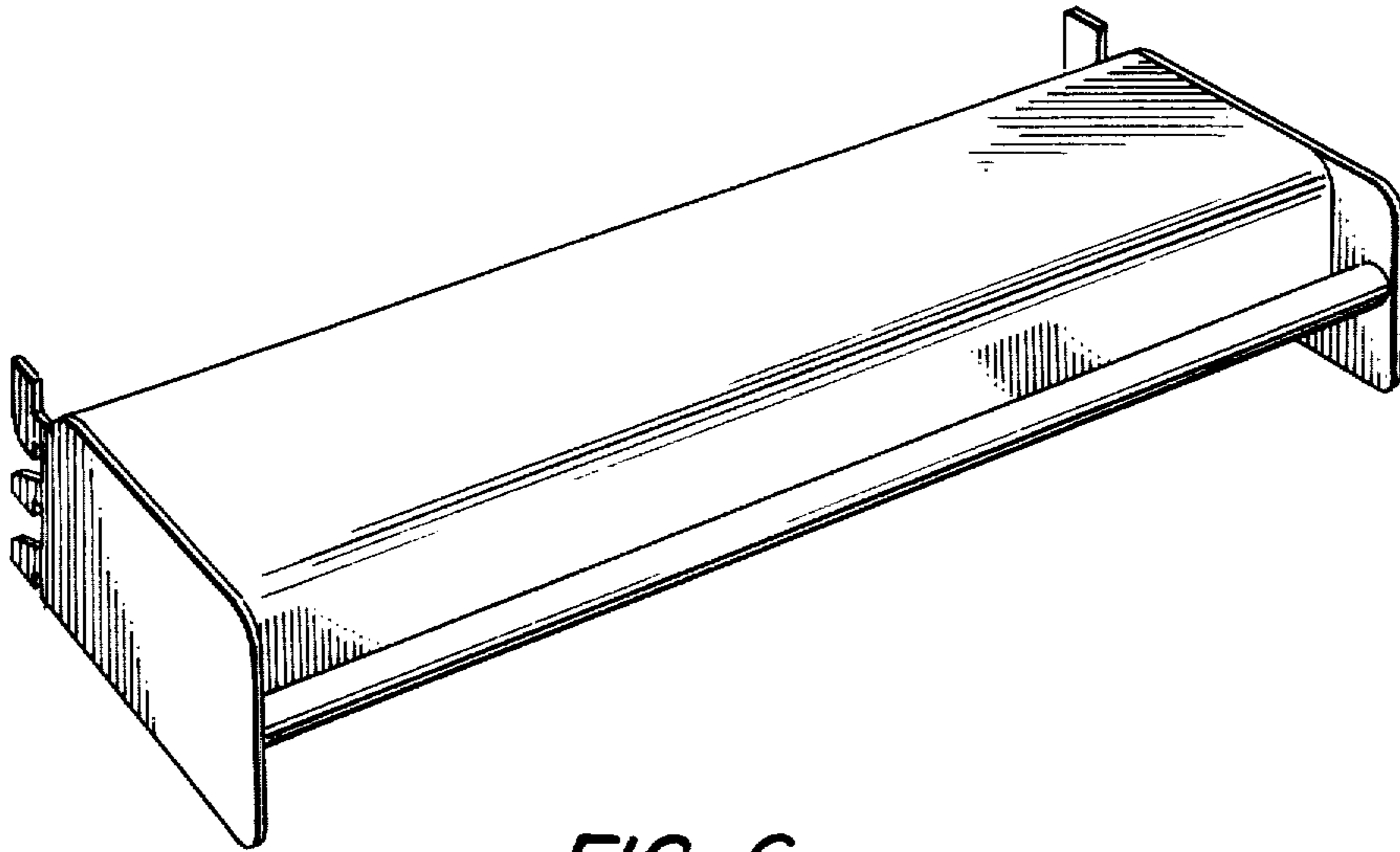


FIG. 6