

[54] **HOME COMPUTER TABLE**

[76] **Inventor:** Joseph T. Verdesca, 5604 Lobello Dr., Dallas, Tex. 75229

[**] **Term:** 14 Years

[21] **Appl. No.:** 199,254

[22] **Filed:** Oct. 21, 1980

[51] **Int. Cl.** D06-03

[52] **U.S. Cl.** D6/179; D6/161

[58] **Field of Search** D6/157-186, D6/150

[56] **References Cited**

U.S. PATENT DOCUMENTS

- D. 122,164 8/1940 Immermann D6/161
- D. 128,791 8/1941 Ullery D6/161
- D. 191,170 8/1961 Draper, Jr. D6/150

- D. 240,581 7/1976 Ostborg et al. D6/161
- D. 243,300 2/1977 Christensen D6/150

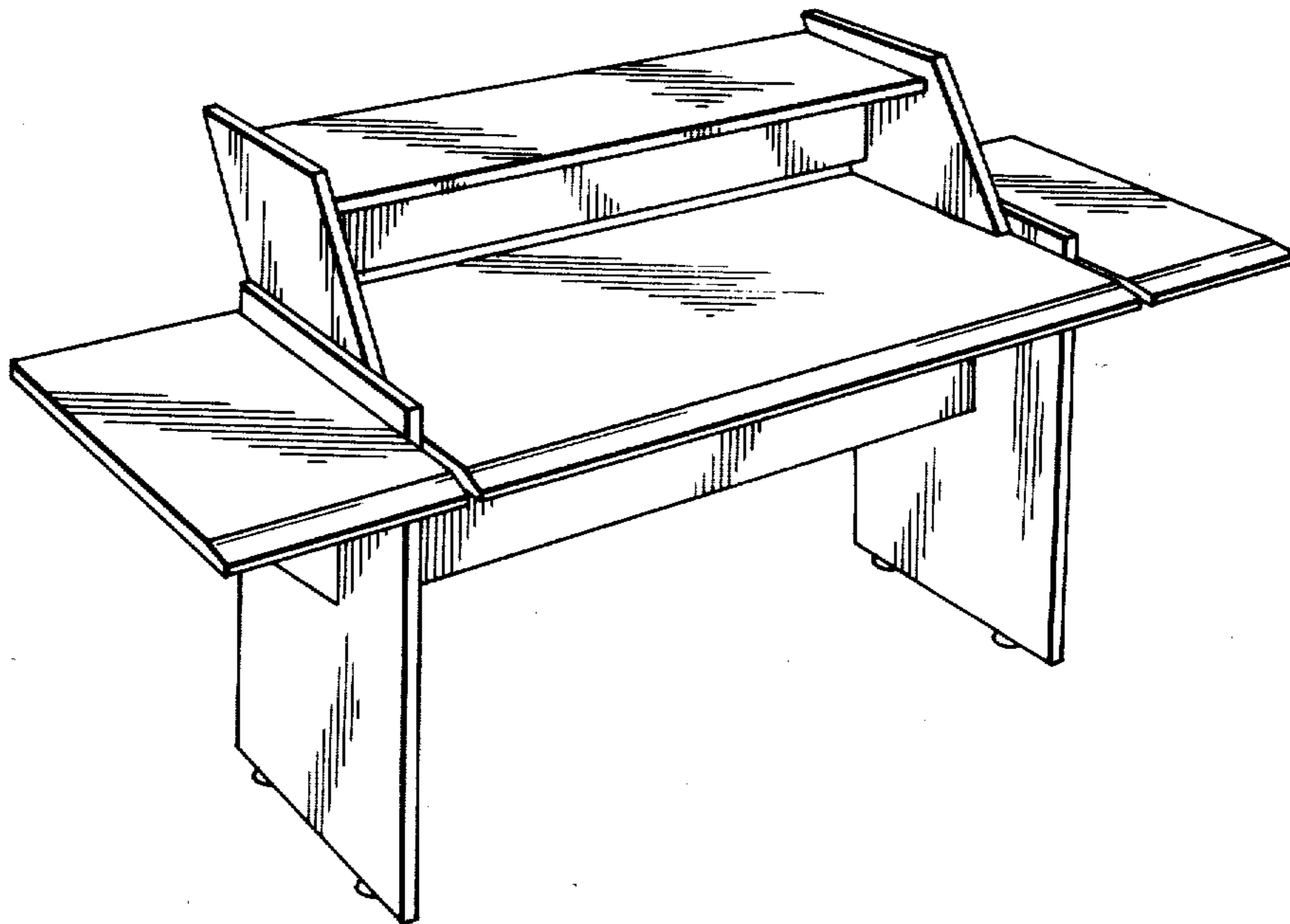
Primary Examiner—Bruce W. Dunkins
Attorney, Agent, or Firm—Jerry W. Mills

[57] **CLAIM**

The ornamental design for a home computer table, as shown.

DESCRIPTION

FIG. 1 is a perspective view of the home computer table according to the present design; FIG. 2 is a top view; FIG. 3 is a bottom view; FIG. 4 is a front elevational view; FIG. 5 is a back rear elevational view; FIG. 6 is a side view; and FIG. 7 is a side view of the side opposite that shown in FIG. 6.



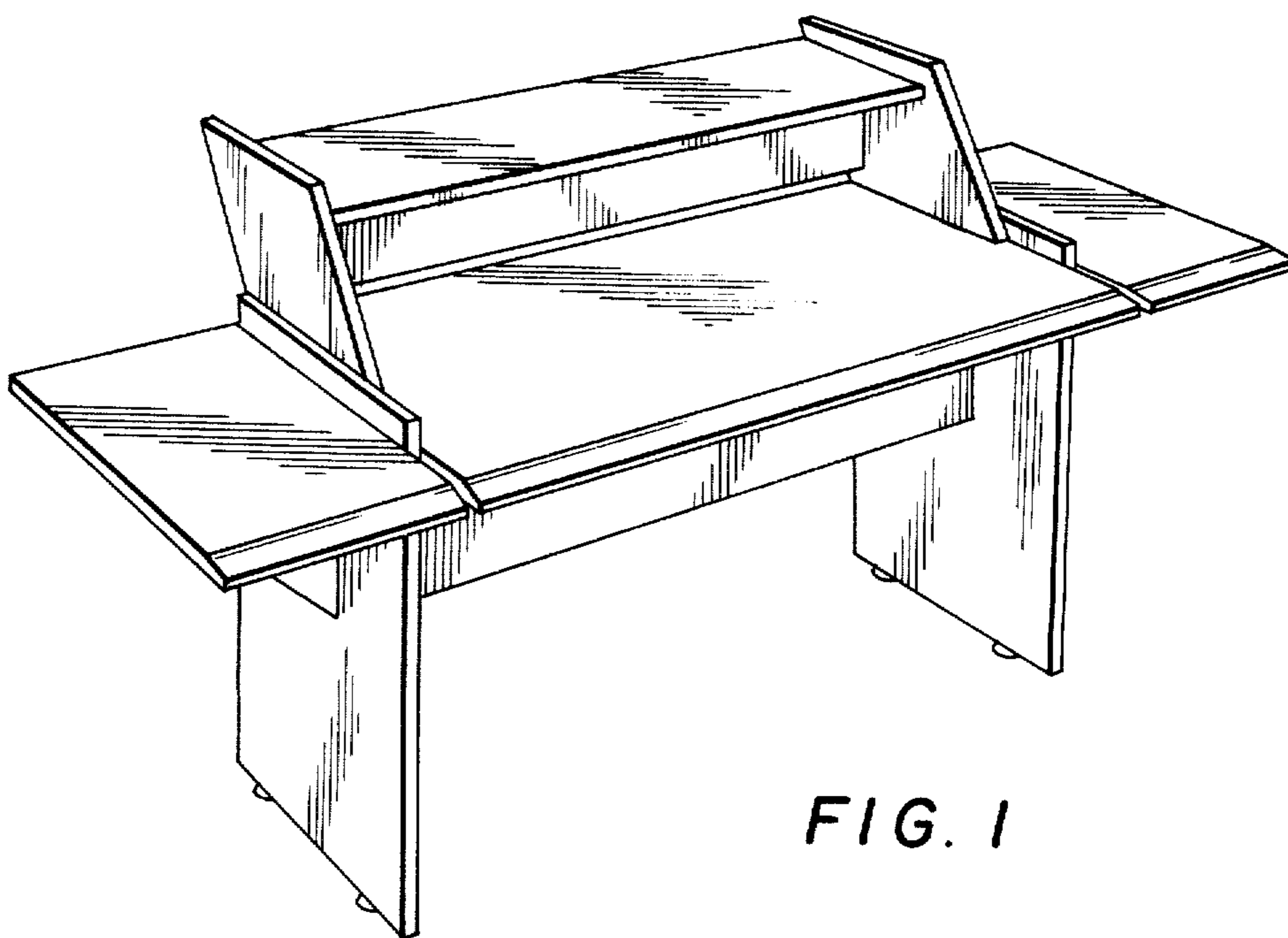


FIG. 1

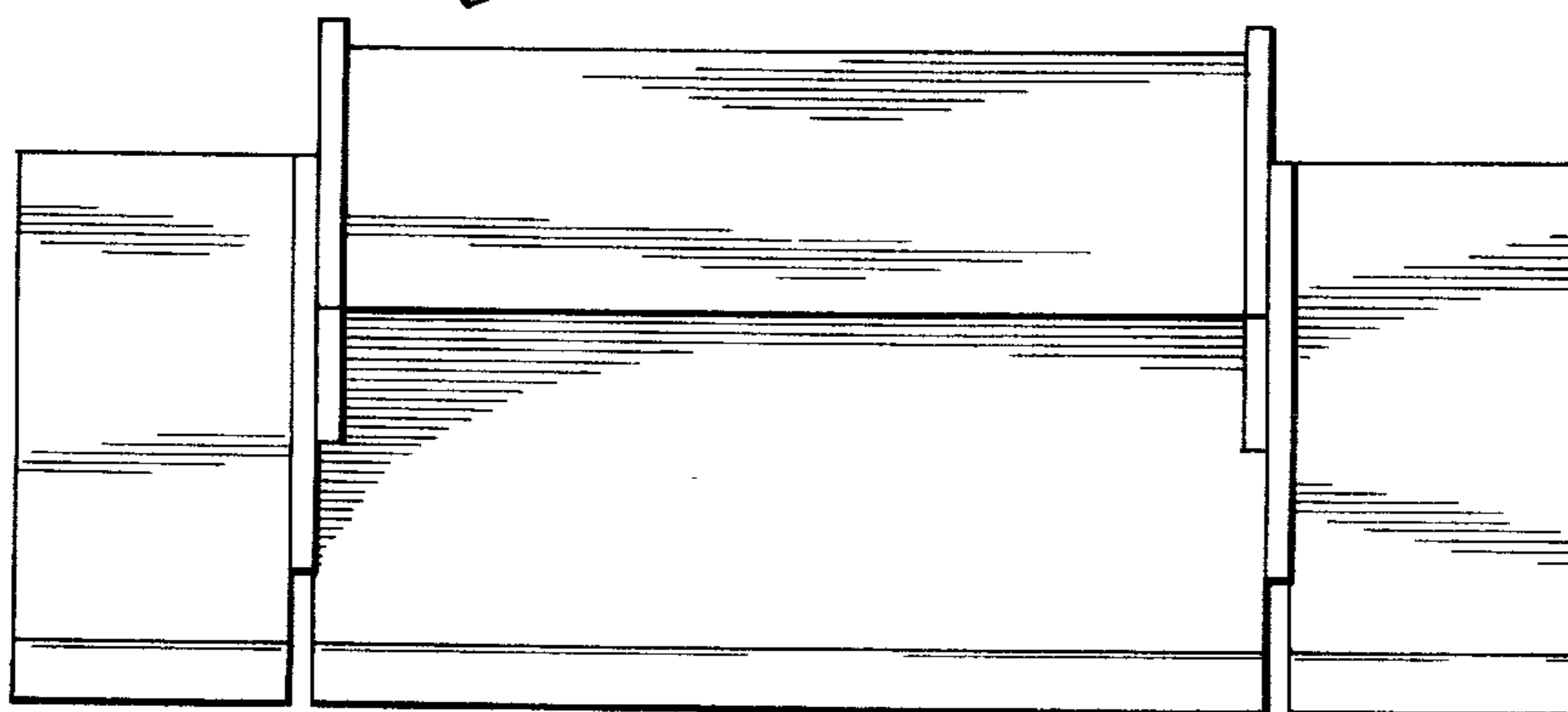


FIG. 2

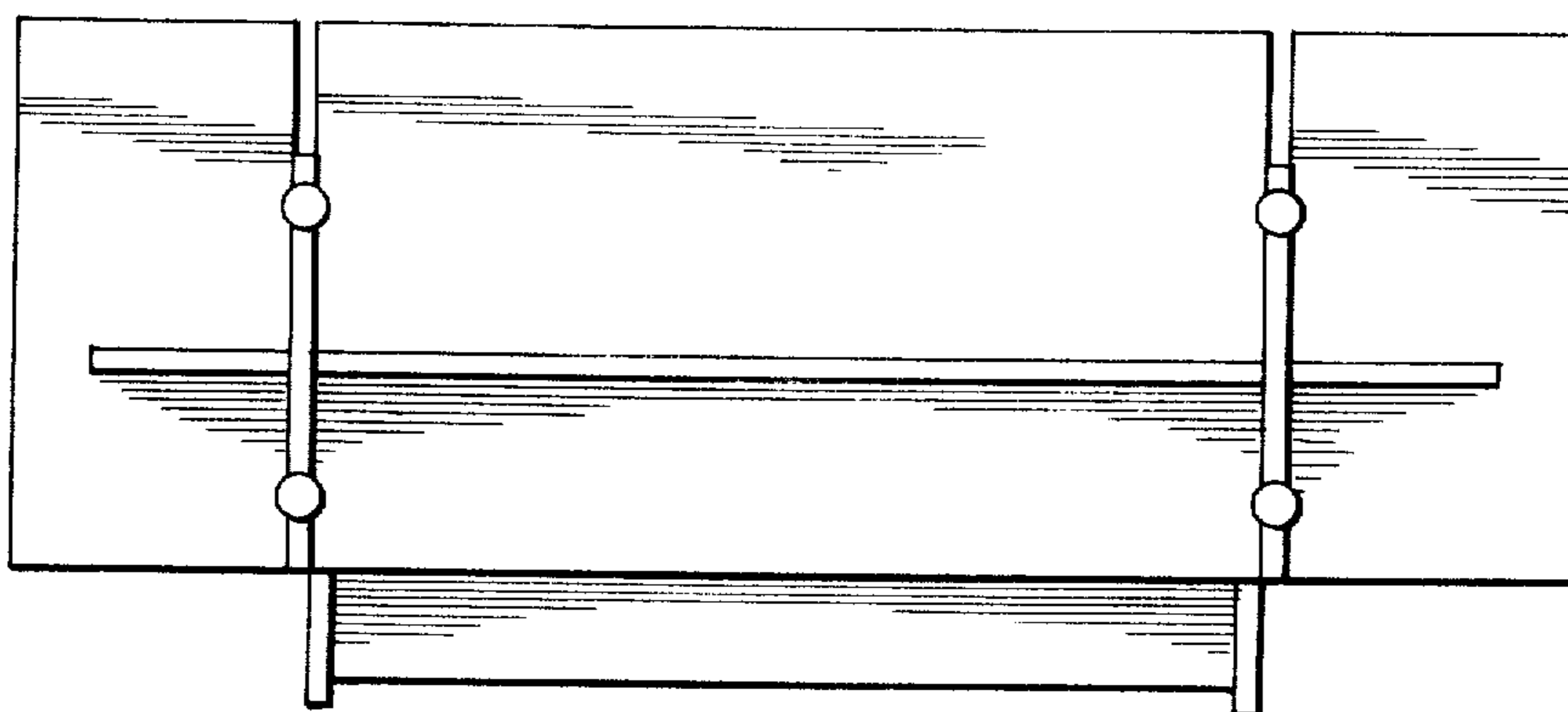


FIG. 3

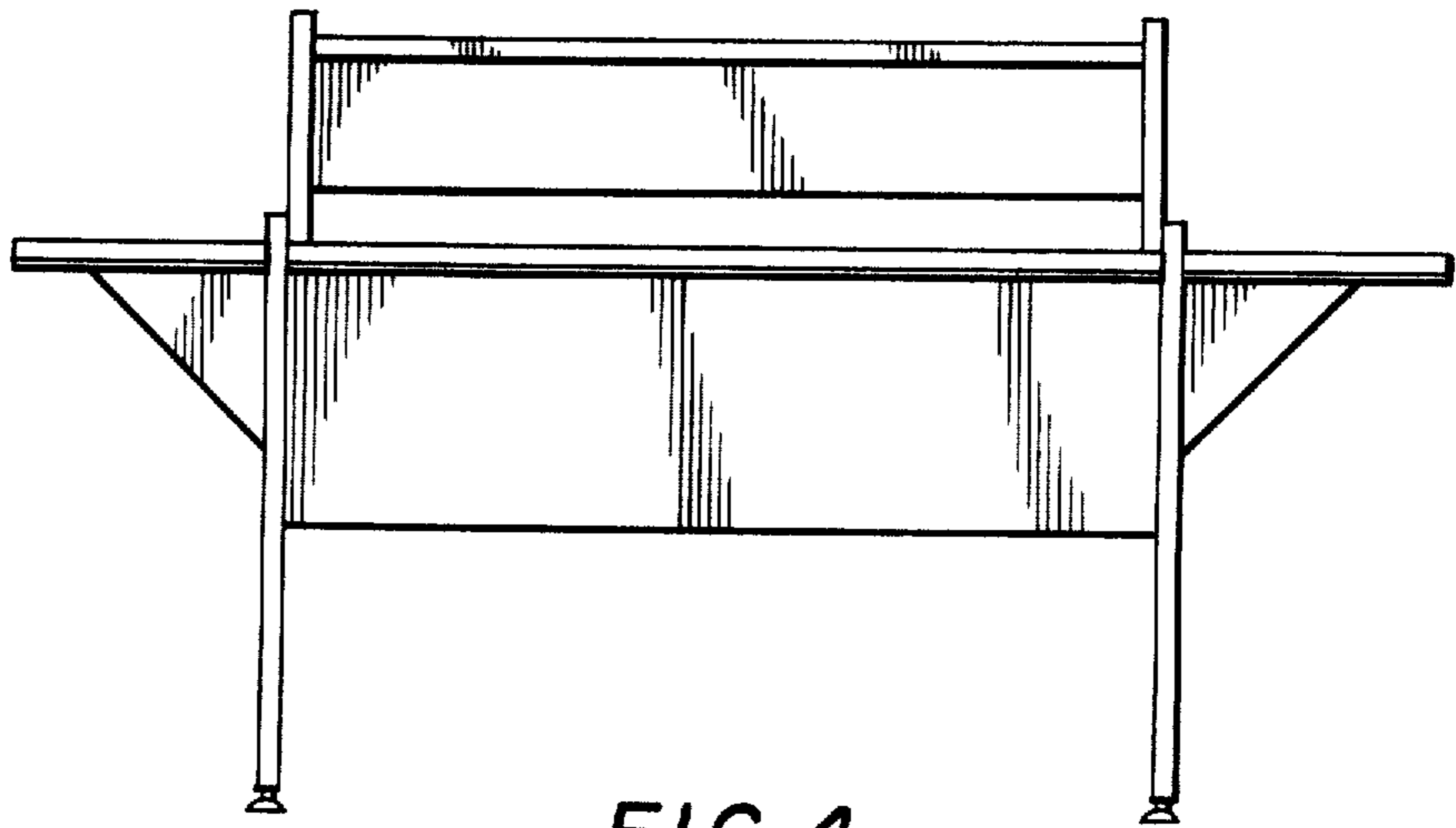


FIG. 4

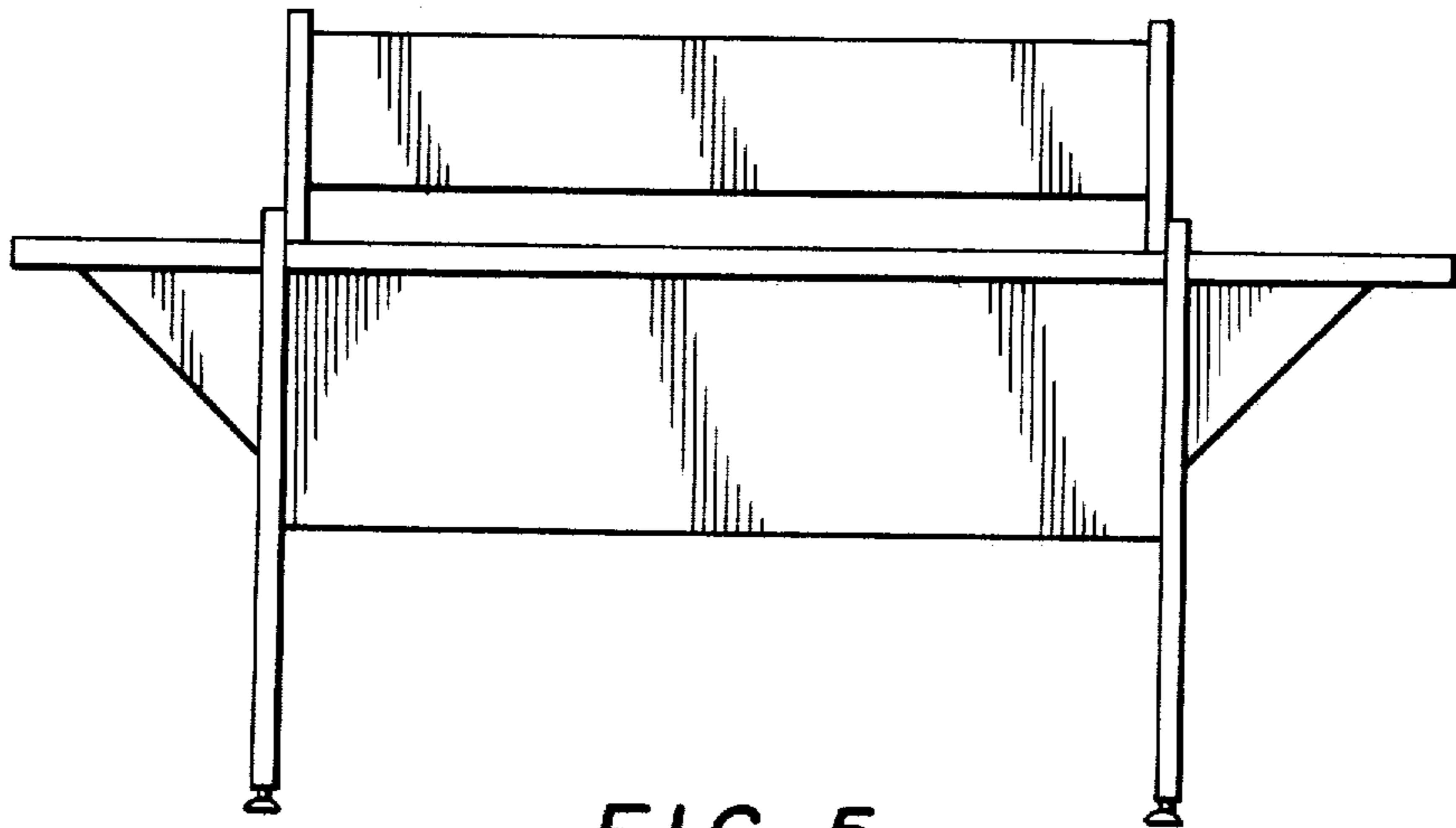


FIG. 5

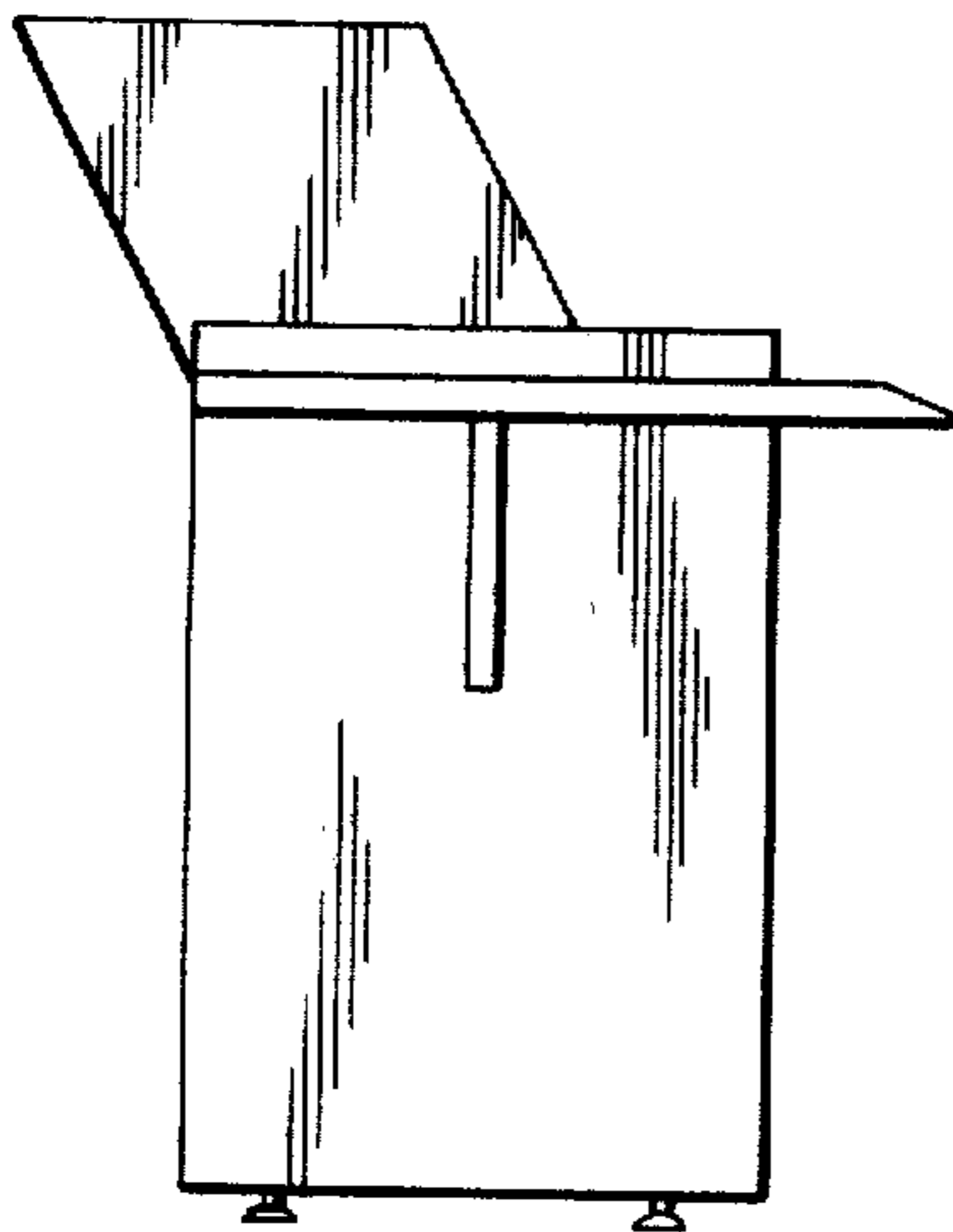


FIG. 6

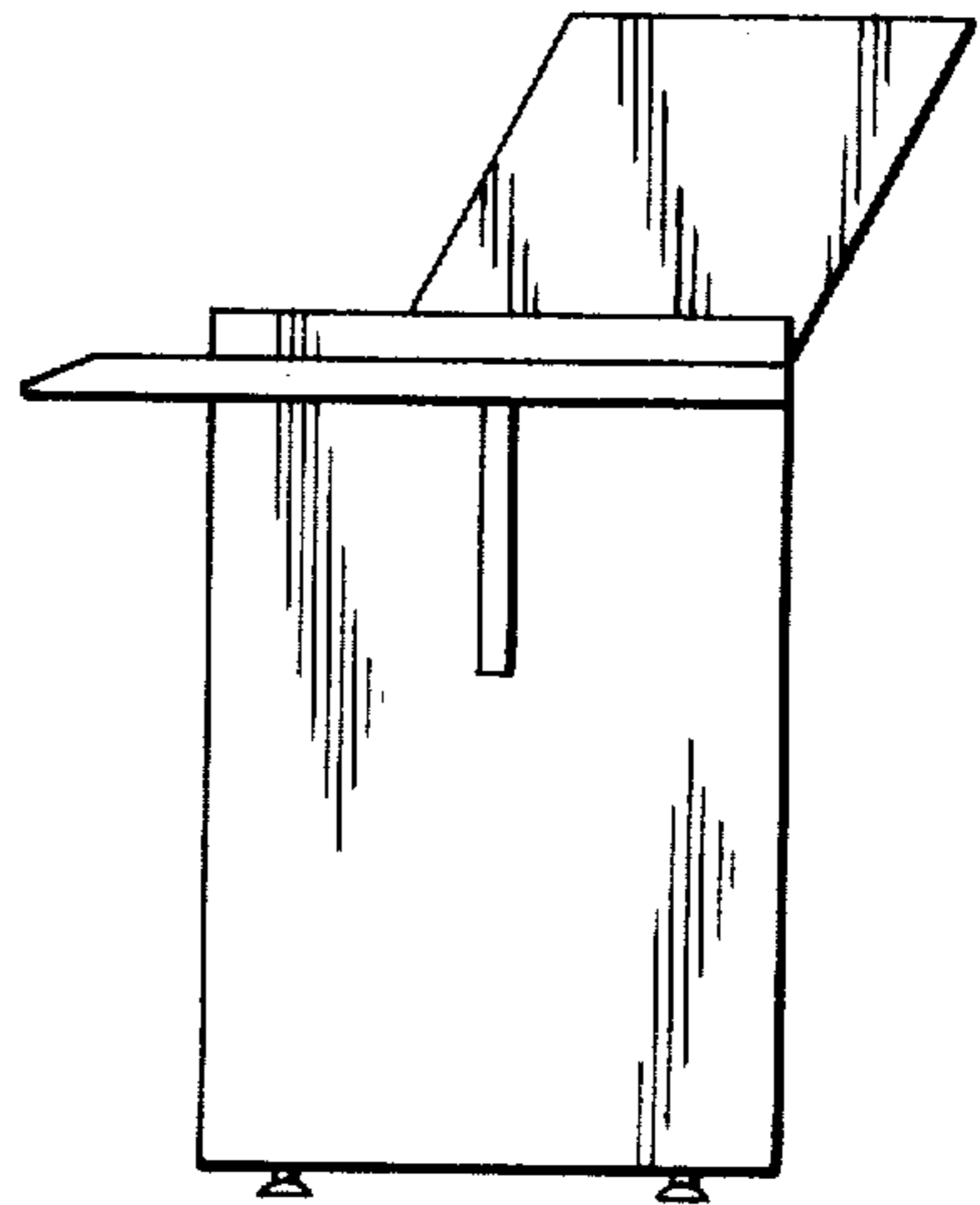


FIG. 7