

[54] COMBINED TOILET PAPER HOLDER AND DISPENSER

[75] Inventor: Lars B. Lander, Zug, Switzerland

[73] Assignee: Molnlycke Aktiebolag, Gothenburg, Sweden

[**] Term: 14 Years

[21] Appl. No.: 263,477

[22] Filed: May 4, 1981

[51] Int. Cl. D23-02; D7-01

[52] U.S. Cl. D6/97; D7/17

[58] Field of Search D6/86, 96-98, D6/127; D7/17, 18; 312/39, 401, 41, 38, 37; 242/55.2, 55.3, 55.53, 55.54, 55.55; 206/389, 391, 408, 409, 414

[56] References Cited

U.S. PATENT DOCUMENTS

D. 176,842 2/1956 D'Ath D6/97

D. 248,604	7/1978	Lander	D6/97
603,316	5/1898	Bush	312/39
3,843,071	10/1974	Graham	242/55.53
3,865,323	2/1975	Stronge	242/55.53

OTHER PUBLICATIONS

Dimco Plastic Knobs Cat. 66, p. 8, Knob 256 (upper right).

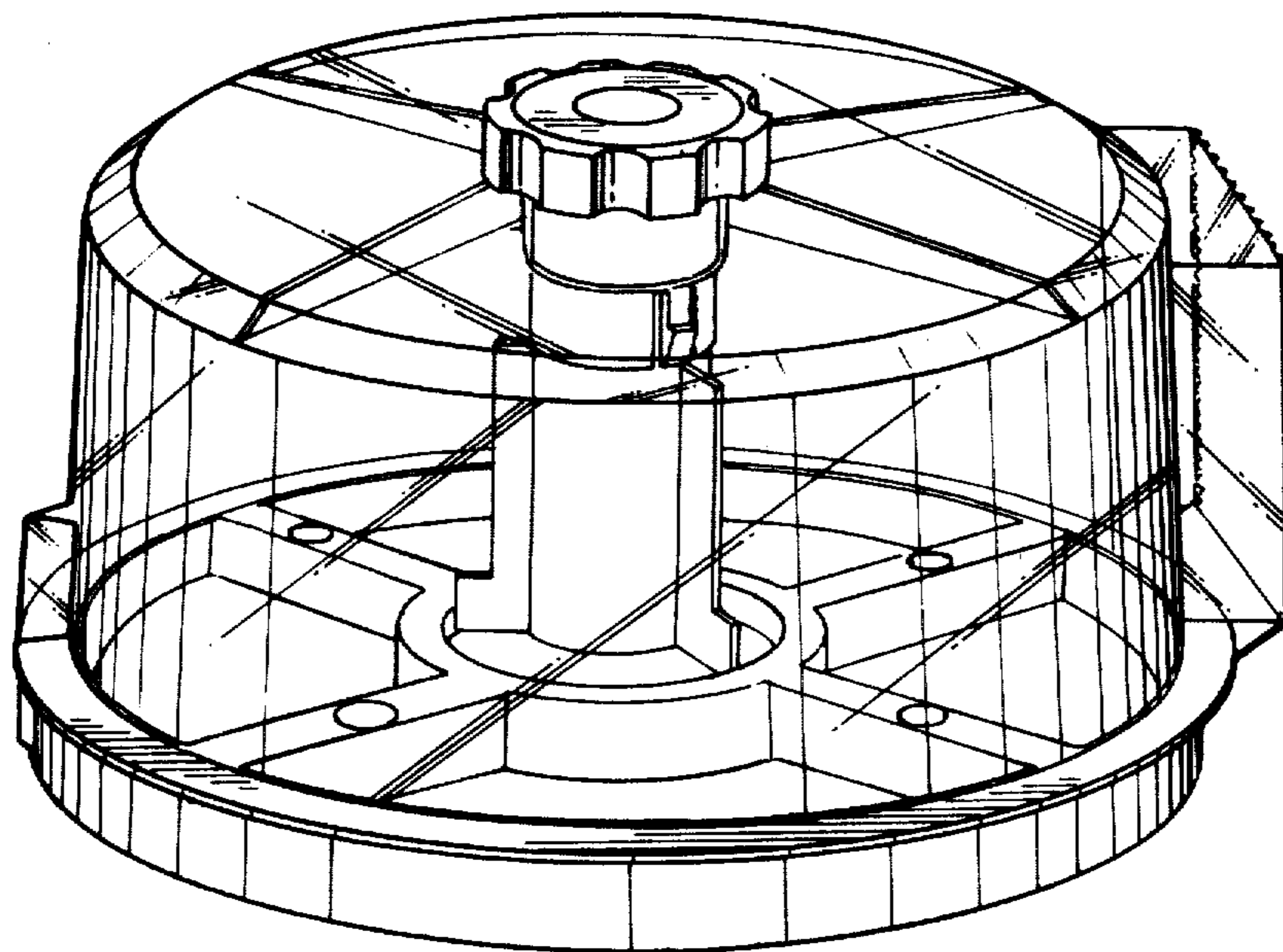
Primary Examiner—B. J. Bullock
Attorney, Agent, or Firm—Young & Thompson

[57] CLAIM

The ornamental design for a combined toilet paper holder and dispenser, as shown and described.

DESCRIPTION

FIG. 1 is a top perspective view of a combined toilet paper holder and dispenser showing my new design; and FIG. 2 is a bottom plan view thereof. The side opposite that shown in FIG. 1 is a mirror image of FIG. 1.



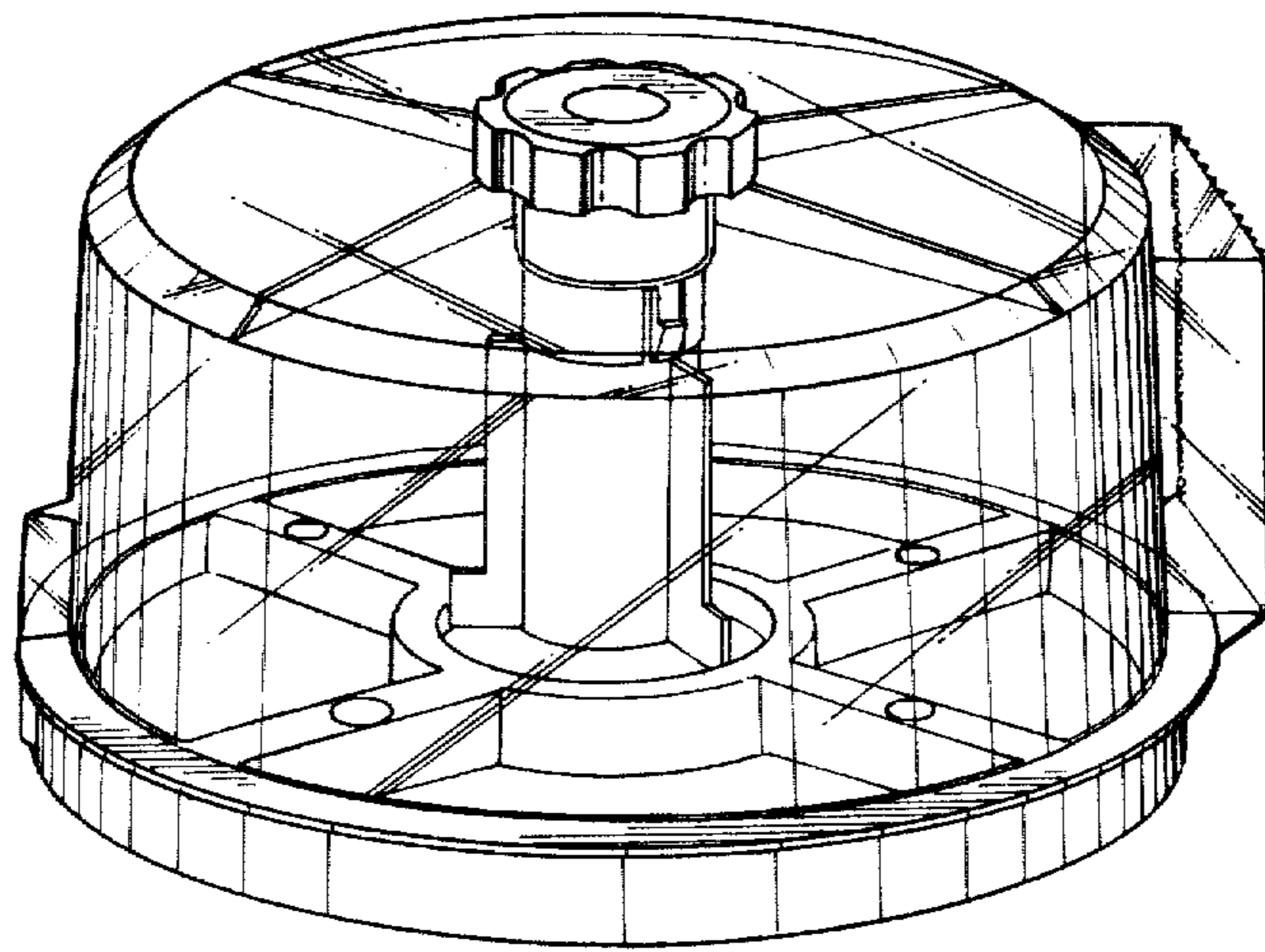


FIG. 1

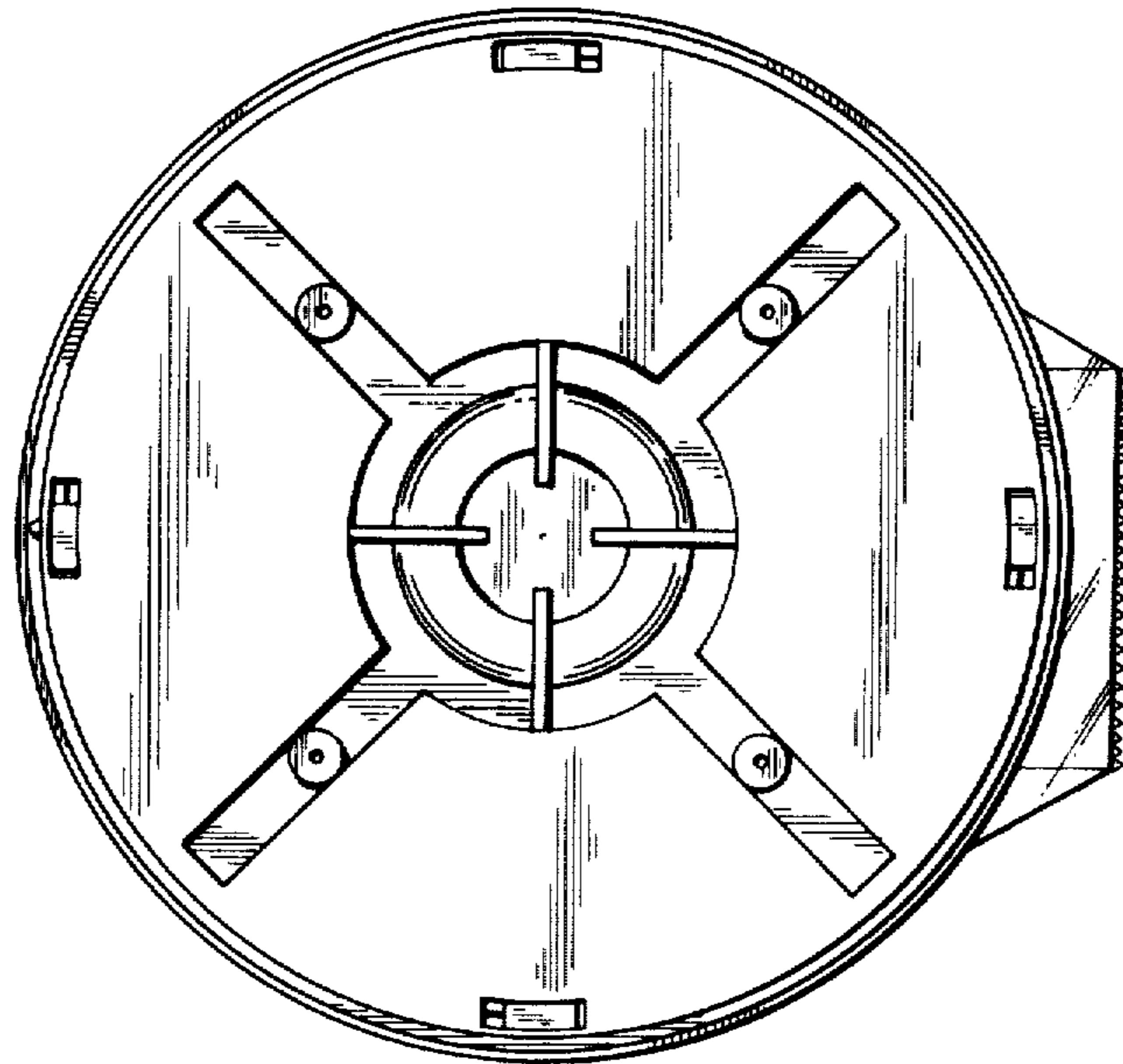


FIG. 2