

[54] **CHAIR**

[56]

References Cited

U.S. PATENT DOCUMENTS

[75] Inventors: **Dennis F. Leffler**, Charlotte; **Danny M. Truette**, Pineville, both of N.C.

D. 232,398 8/1974 Sottsass, Jr. D6/30
D. 233,807 12/1974 Ruf D6/30 X
D. 243,486 3/1977 Buhk D6/30

[73] Assignee: **The Pelton and Crane Company**,
Charlotte, N.C.

OTHER PUBLICATIONS

Design Catalog, May 1978, p. 103, Chair upper left.

[**] Term: **14 Years**

Primary Examiner—Bruce W. Dunkins
Attorney, Agent, or Firm—Isaac Jarkovsky; Richard H. Brink; Stuart E. Krieger

[21] Appl. No.: **126,794**

[57] **CLAIM**

The ornamental design for a chair, as shown and described.

[22] Filed: **Mar. 3, 1980**

DESCRIPTION

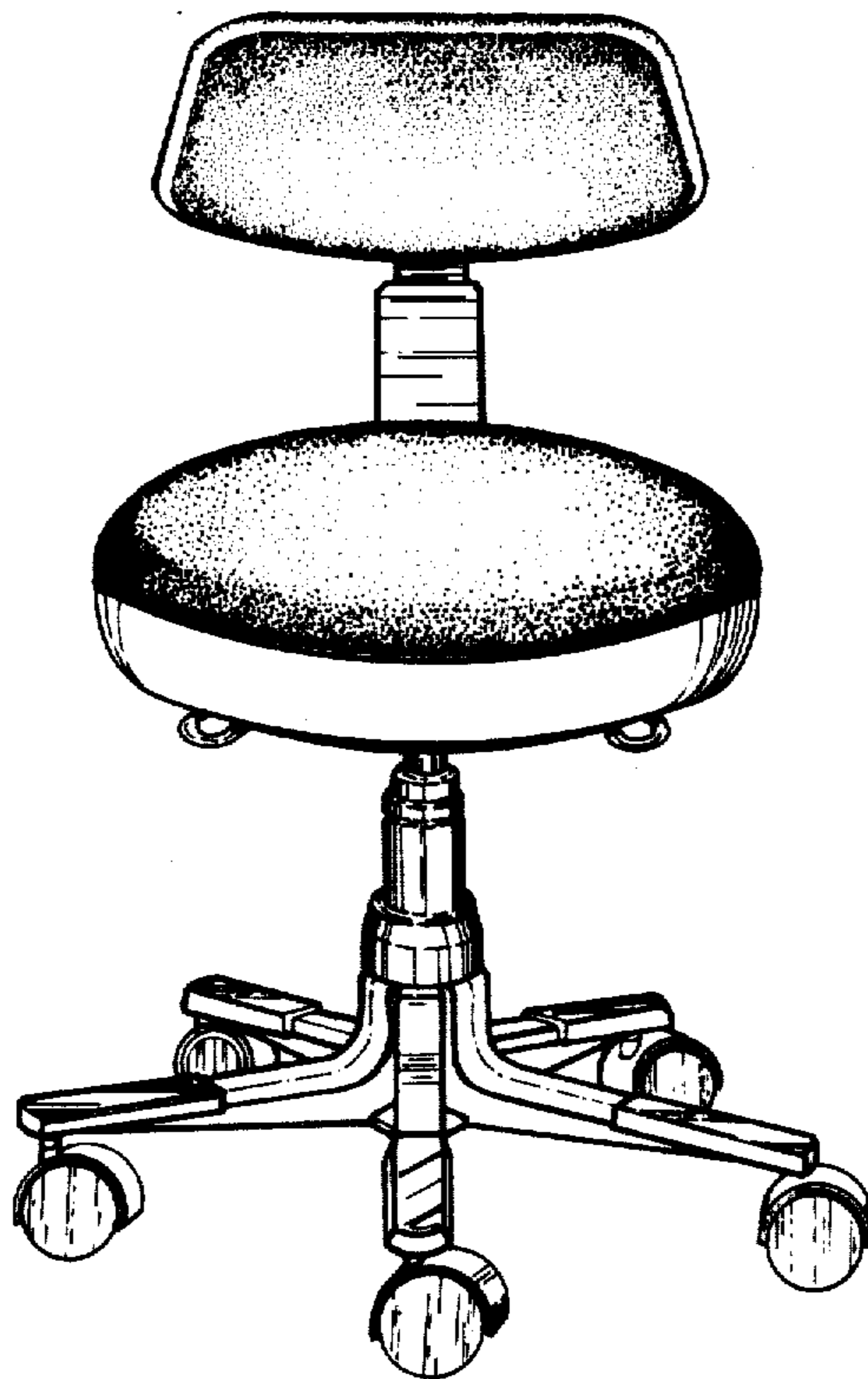
[51] Int. Cl. **D6—01**

FIG. 1 is a front perspective view of a chair showing my design; and

[52] U.S. Cl. **D6/30**

[58] Field of Search **D6/20, 26, 30, 31, 47**

FIG. 2 is a rear quarter perspective view thereof.



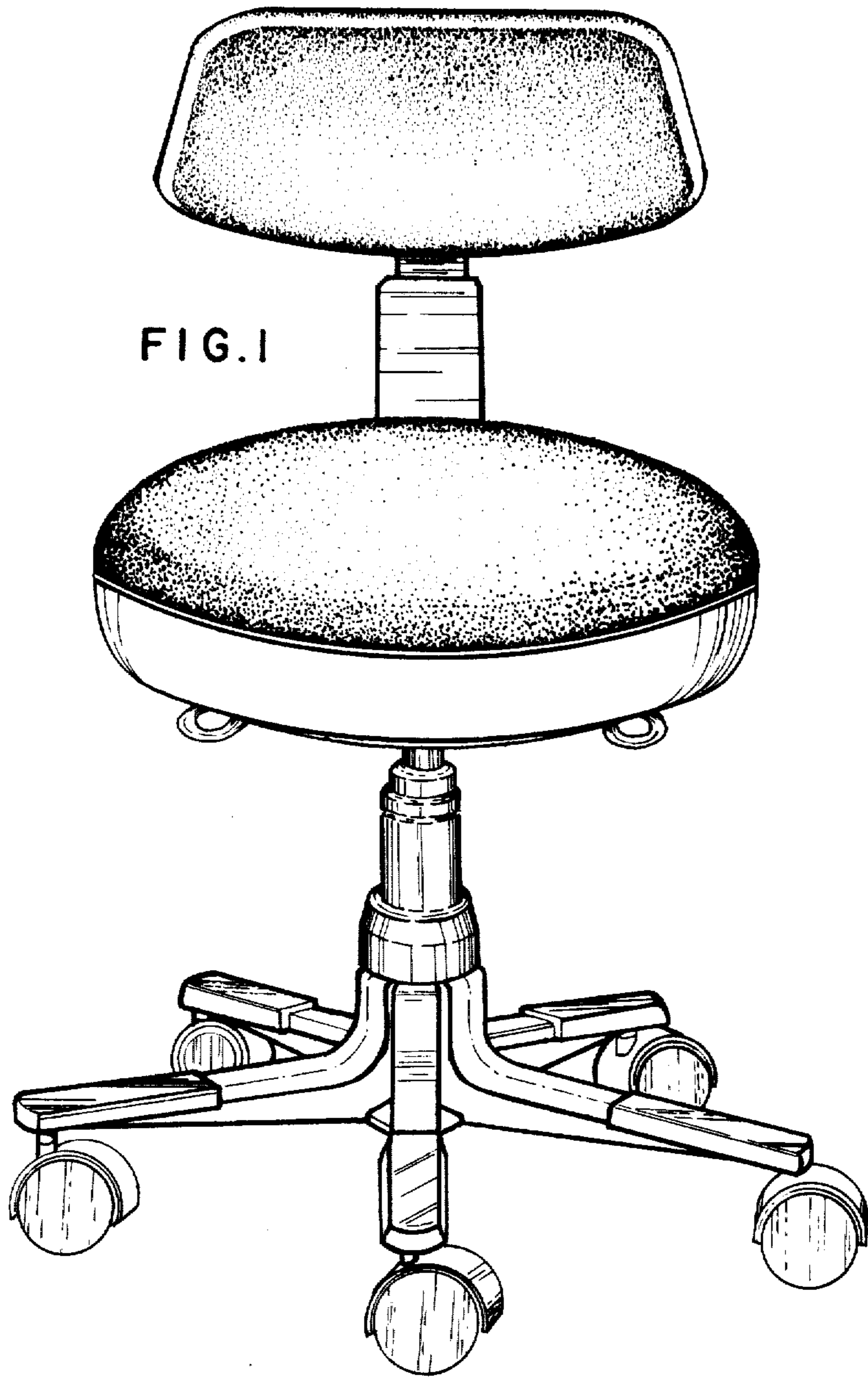


FIG. 2

