

[54] GROUND INSERTED HOLDER FOR ROASTING FORK OR THE LIKE

[76] Inventor: Ray H. Barney, 217 Bond St., Allegan, Mich. 49010

[\*\*] Term: 14 Years

[21] Appl. No.: 153,371

[22] Filed: May 27, 1980

[51] Int. Cl. .... D6-99

[52] U.S. Cl. .... D6/20

[58] Field of Search ..... D6/85, 20, 25; D7/70, D7/73, 106, 130; 248/156, 175, 94, 302, 530; 211/181; D11/181; D21/255

[56] References Cited

U.S. PATENT DOCUMENTS

- D. 238,726 2/1976 Labik ..... D6/20
- 1,812,737 6/1931 Coughlin et al. .... 248/156
- 3,306,560 2/1967 Wheeler ..... 248/156

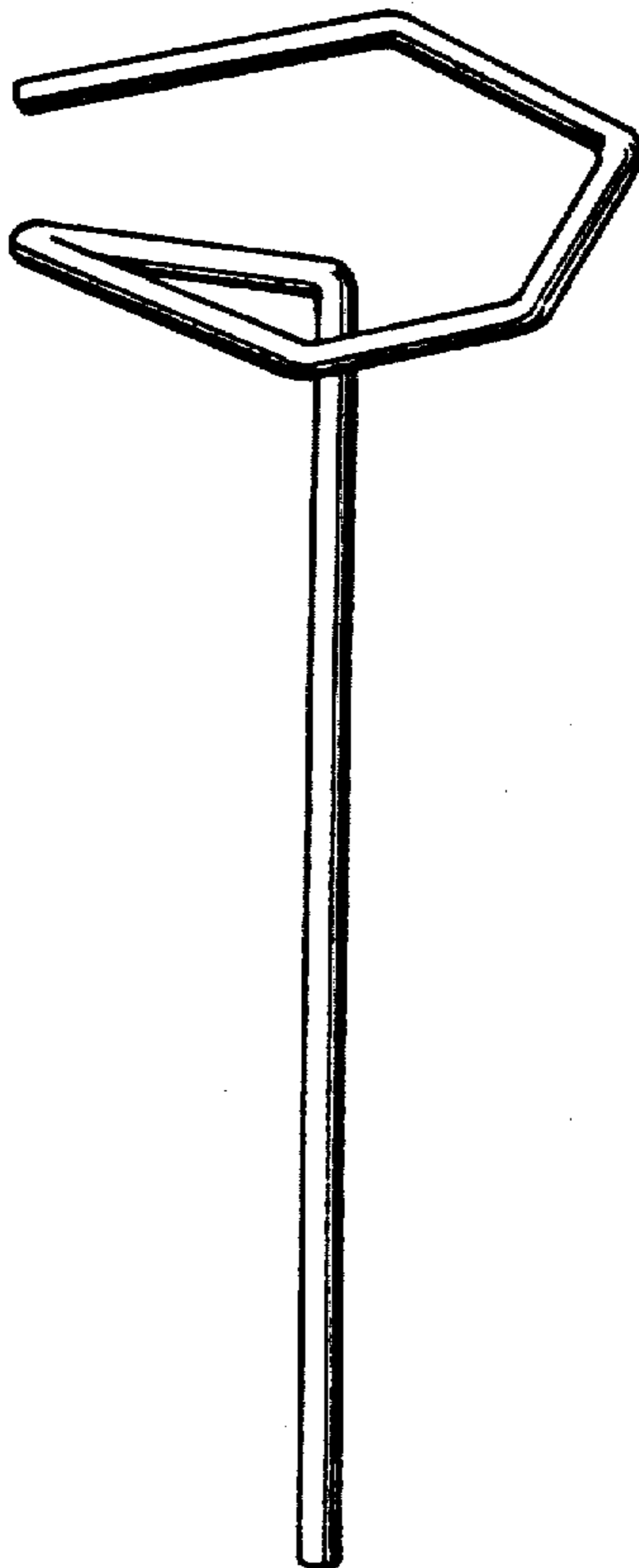
Primary Examiner—Joel Stearman  
Assistant Examiner—Carmen H. Vales  
Attorney, Agent, or Firm—Flynn, Thiel, Boutell & Tanis

[57] CLAIM

The ornamental design for a ground inserted holder for roasting fork or the like, as shown and described.

DESCRIPTION

FIG. 1 is a perspective view of a ground inserted holder for roasting fork or the like showing my new design; FIG. 2 is a front elevational view thereof, a portion of the shaft broken away for convenience of illustration; FIG. 3 is a rear elevational view thereof, a portion of the shaft broken away for convenience of illustration; FIG. 4 is a left side elevational view thereof, a portion of the shaft broken away for convenience of illustration; FIG. 5 is a right side elevational view thereof, a portion of the shaft broken away for convenience of illustration; FIG. 6 is a top plan view thereof; and FIG. 7 is a bottom plan view thereof.



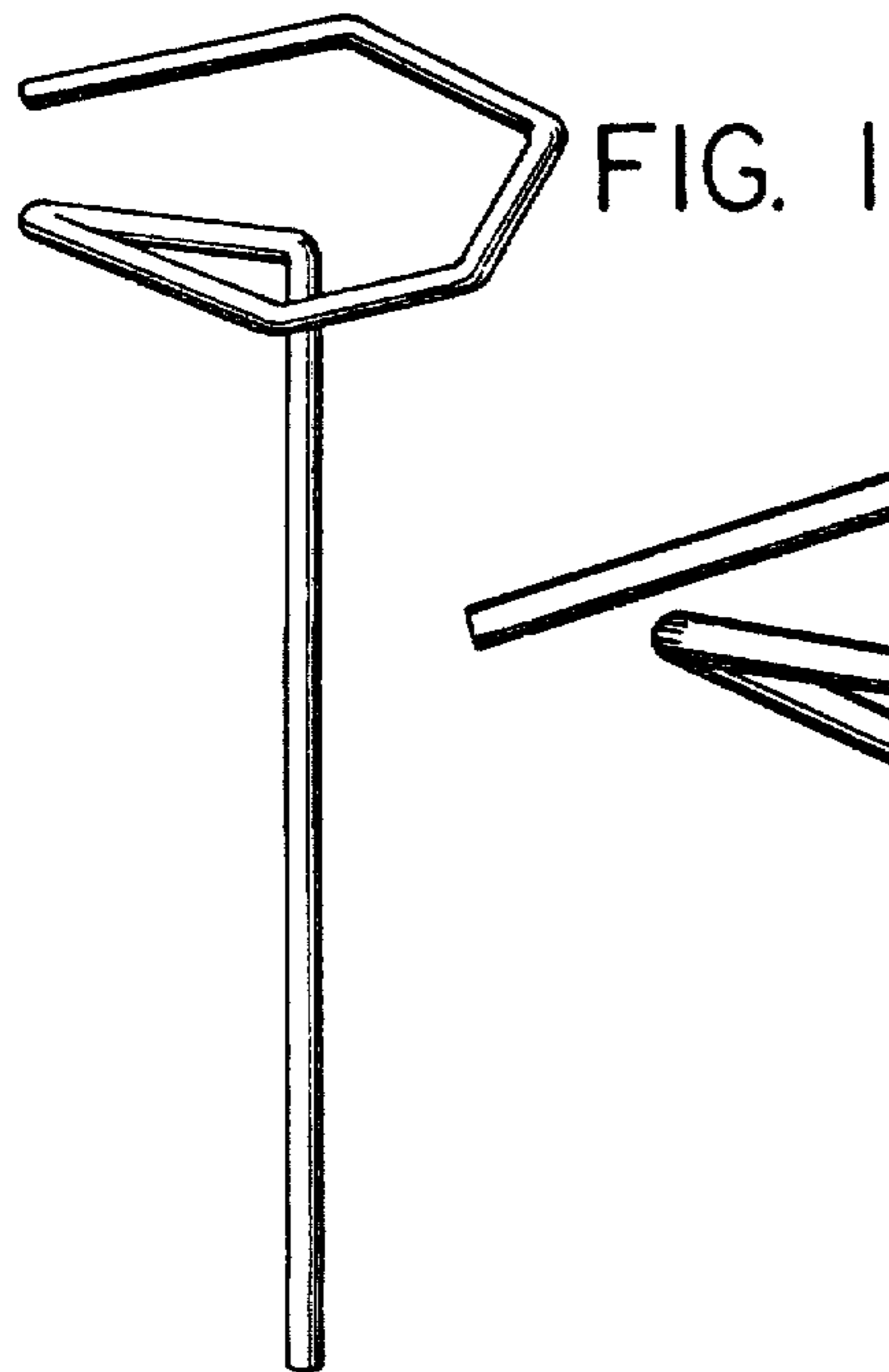


FIG. 1

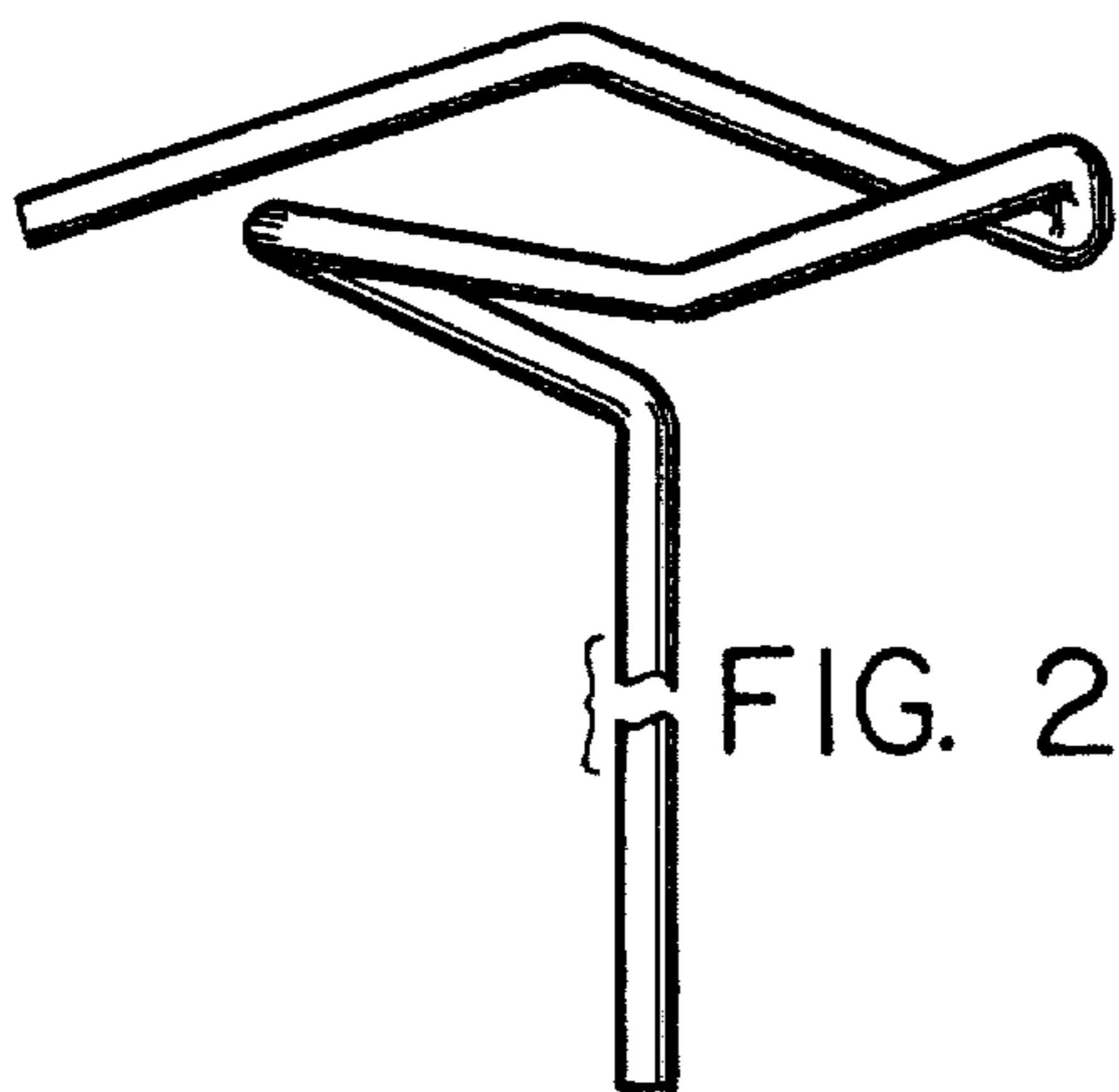


FIG. 2

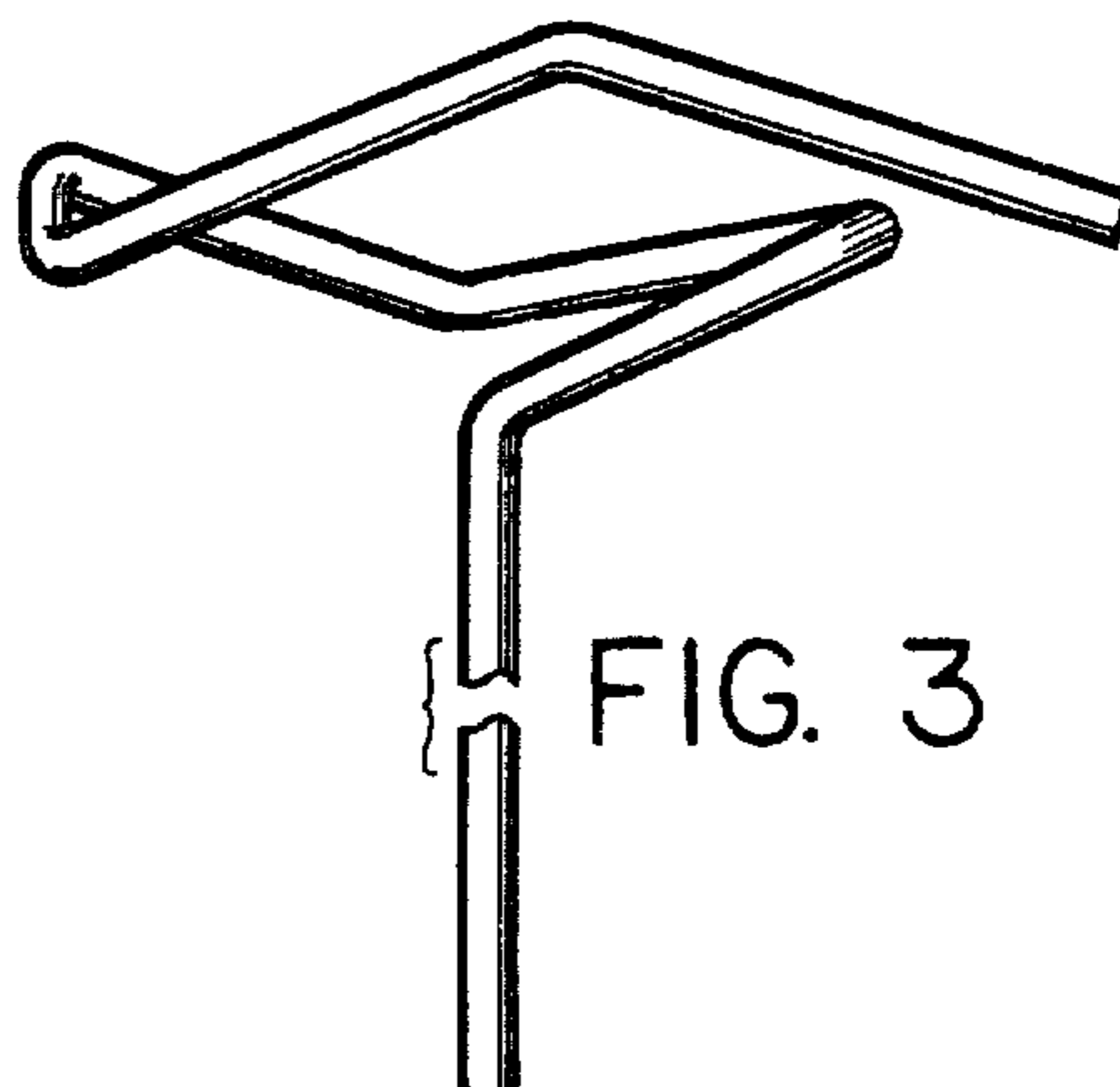


FIG. 3

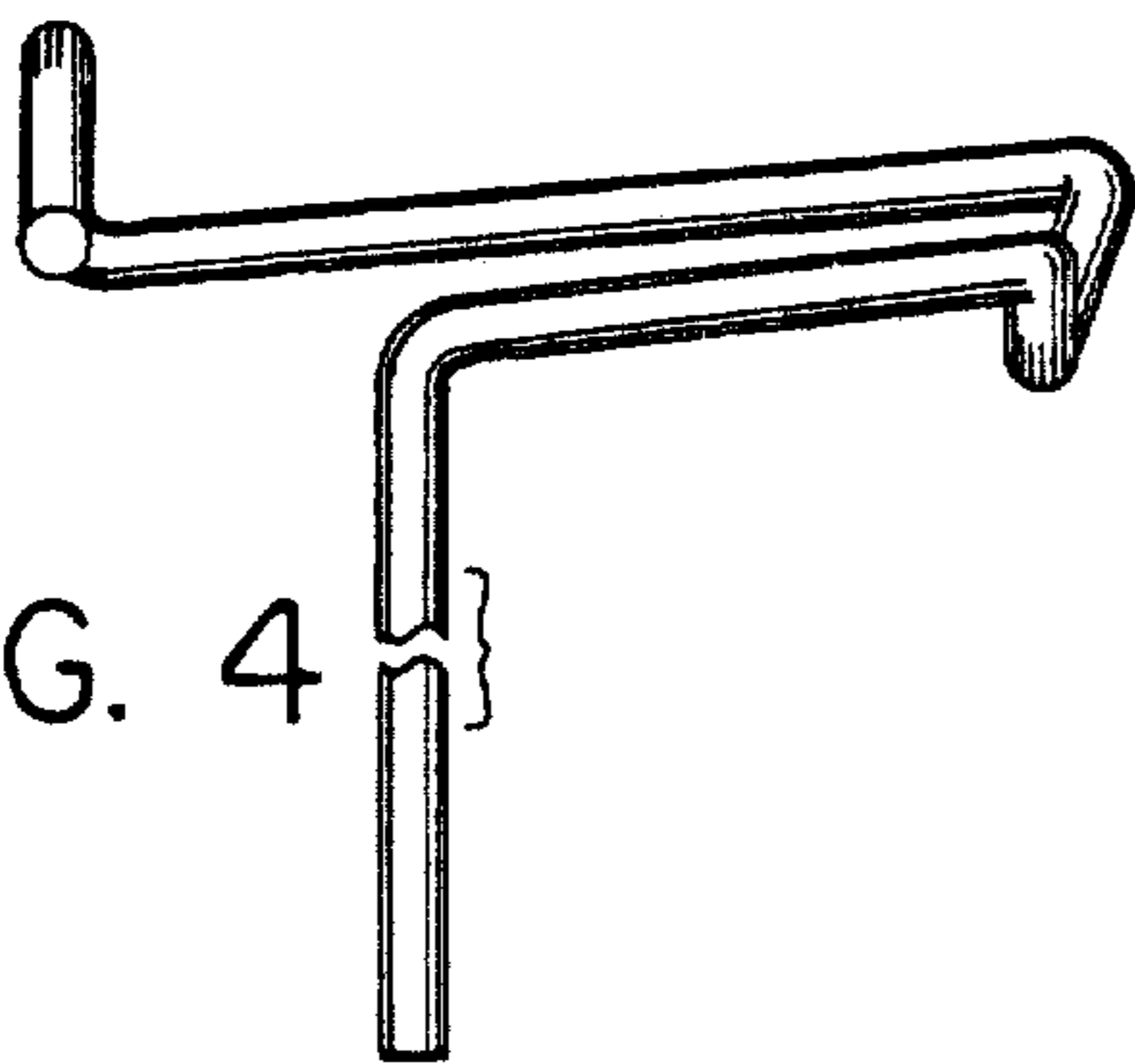


FIG. 4

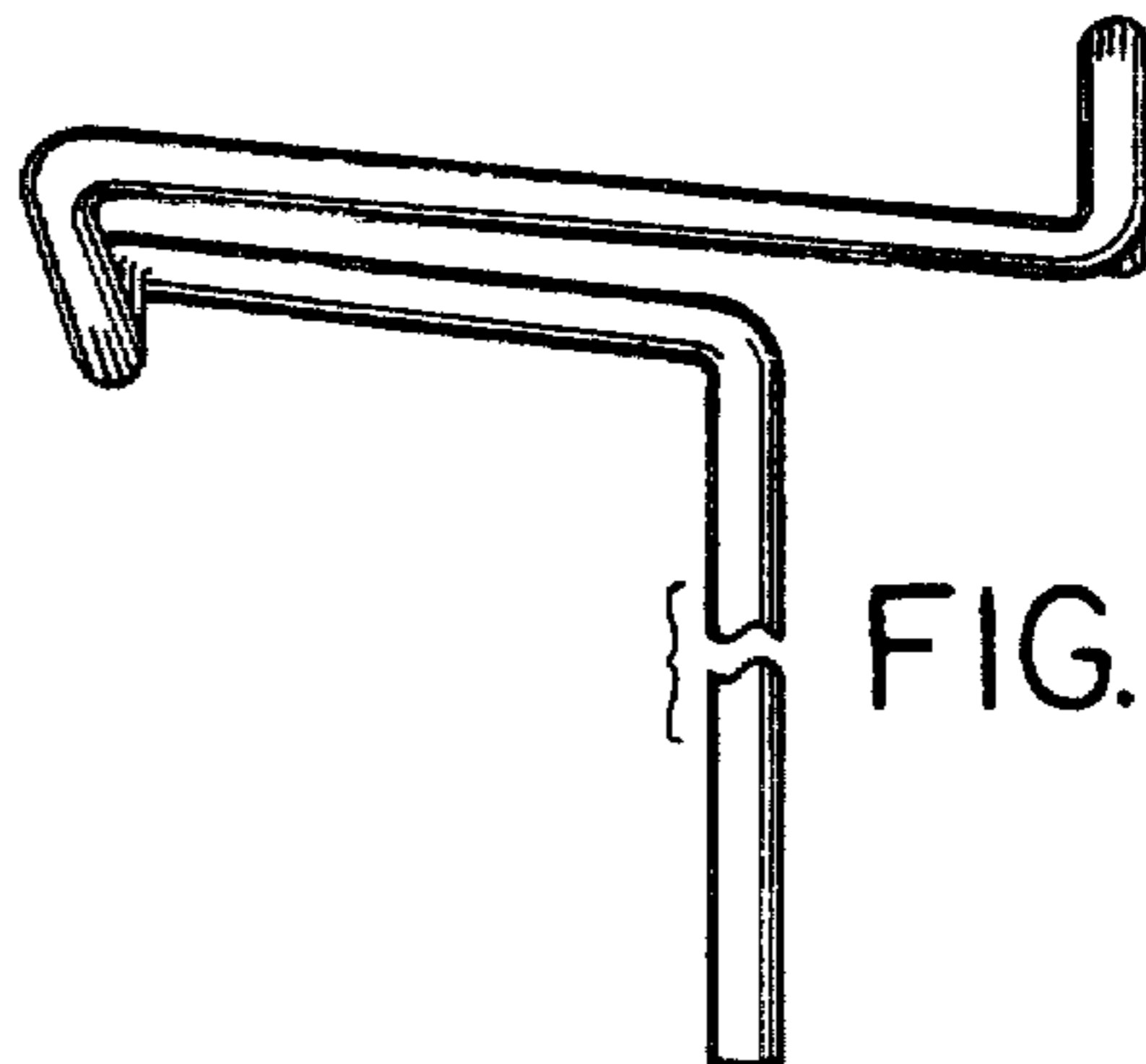


FIG. 5

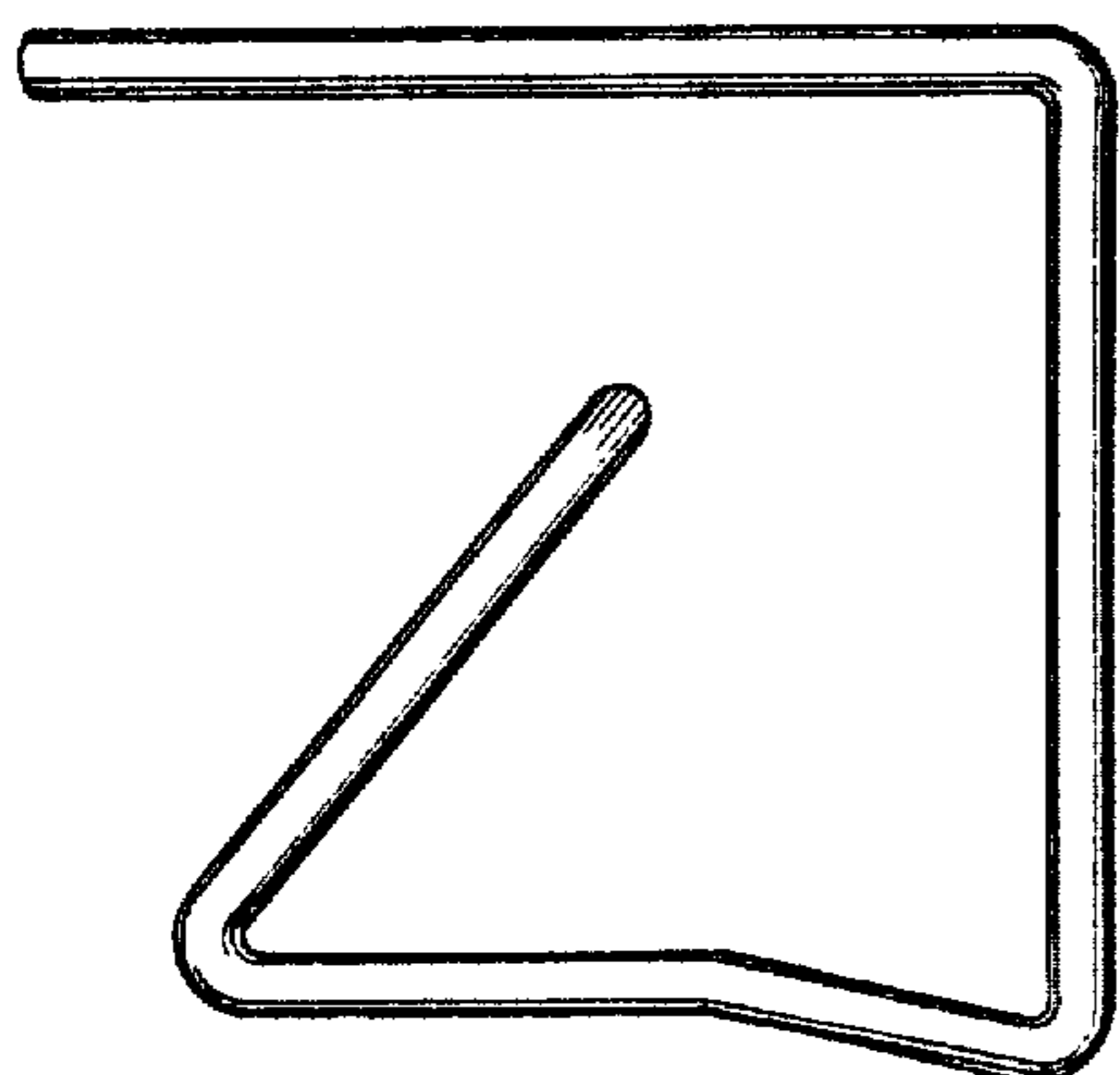


FIG. 6

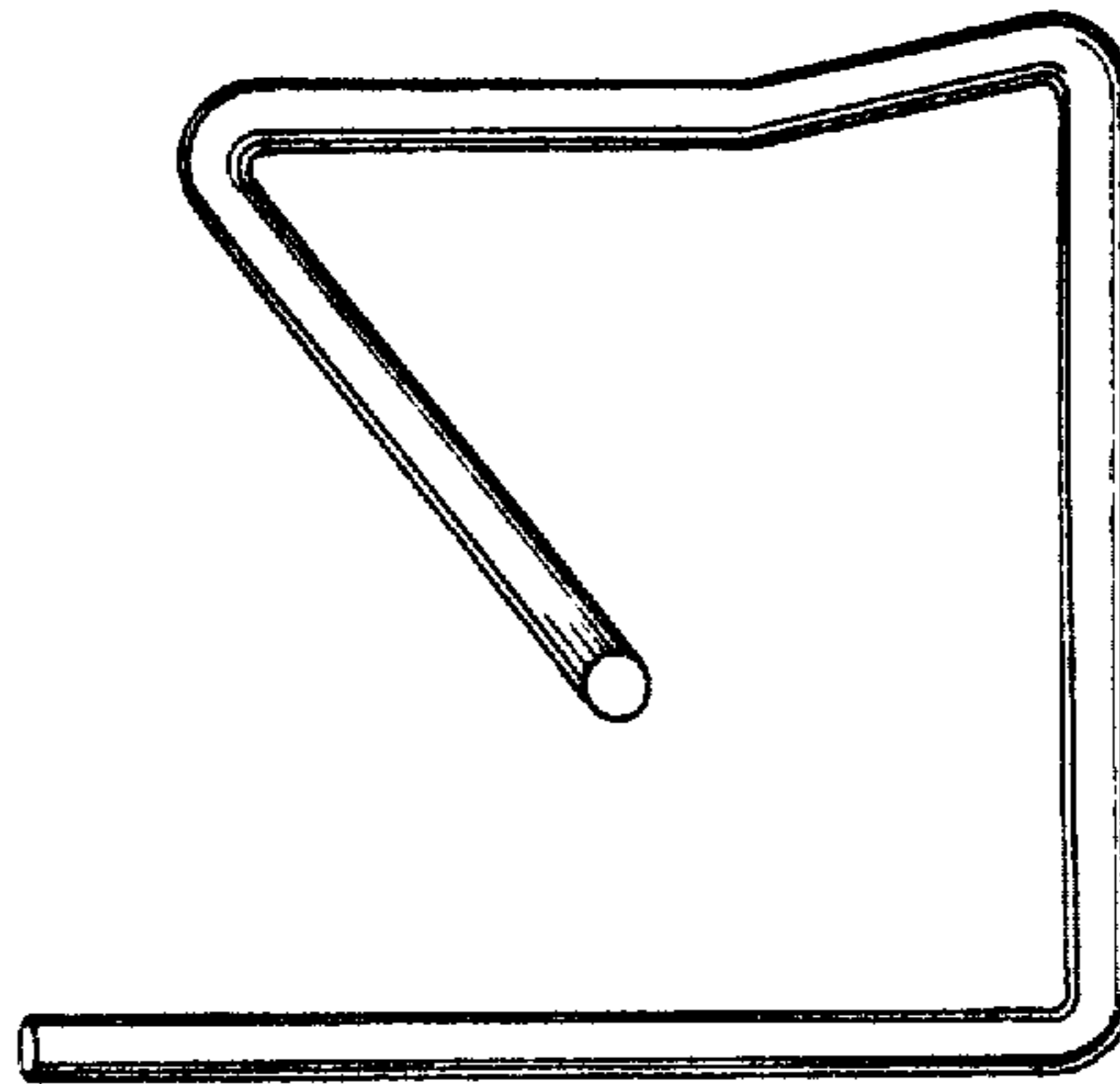


FIG. 7