

[54] **AGITATOR FOR AUTOMATIC WASHER OR SIMILAR ARTICLE**

[75] Inventors: **William Ohmann; Edward E. Wiessner**, both of St. Joseph, Mich.

[73] Assignee: **Whirlpool Corporation**, Benton Harbor, Mich.

[\*\*] Term: **14 Years**

[21] Appl. No.: **164,052**

[22] Filed: **Jun. 30, 1980**

[51] Int. Cl. .... **D15-05**

[52] U.S. Cl. .... **D32/26**

[58] Field of Search ..... **D32/1-15, D32/25-34; 68/18 FA, 134**

[56] **References Cited**

**U.S. PATENT DOCUMENTS**

|            |         |                |       |            |
|------------|---------|----------------|-------|------------|
| D. 209,006 | 10/1967 | Smith          | ..... | D32/26     |
| D. 217,388 | 4/1970  | Goodman et al. | ..... | D32/26     |
| 2,942,444  | 6/1960  | Abresch        | ..... | 68/18 FA X |
| 3,041,864  | 7/1962  | Czech          | ..... | 68/18 FA   |
| 3,285,040  | 11/1966 | Bochan         | ..... | 68/134     |

|           |         |                   |       |            |
|-----------|---------|-------------------|-------|------------|
| 3,290,908 | 12/1966 | McAllister et al. | ..... | 68/18 FA X |
| 3,381,504 | 5/1968  | Smith             | ..... | 68/18 FA   |
| 3,543,541 | 8/1968  | Wasemann          | ..... | 68/18 FA   |
| 4,003,225 | 1/1977  | Worst             | ..... | 68/18 FA   |
| 4,018,067 | 4/1977  | Vora, Jr. et al.  | ..... | 68/134     |

**FOREIGN PATENT DOCUMENTS**

|        |        |           |       |          |
|--------|--------|-----------|-------|----------|
| 237132 | 8/1960 | Australia | ..... | 68/18 FA |
|--------|--------|-----------|-------|----------|

*Primary Examiner*—James R. Largen  
*Attorney, Agent, or Firm*—Hill, Van Santen, Steadman, Chiara & Simpson

[57] **CLAIM**

The ornamental design for an agitator for automatic washer or similar article, substantially as shown.

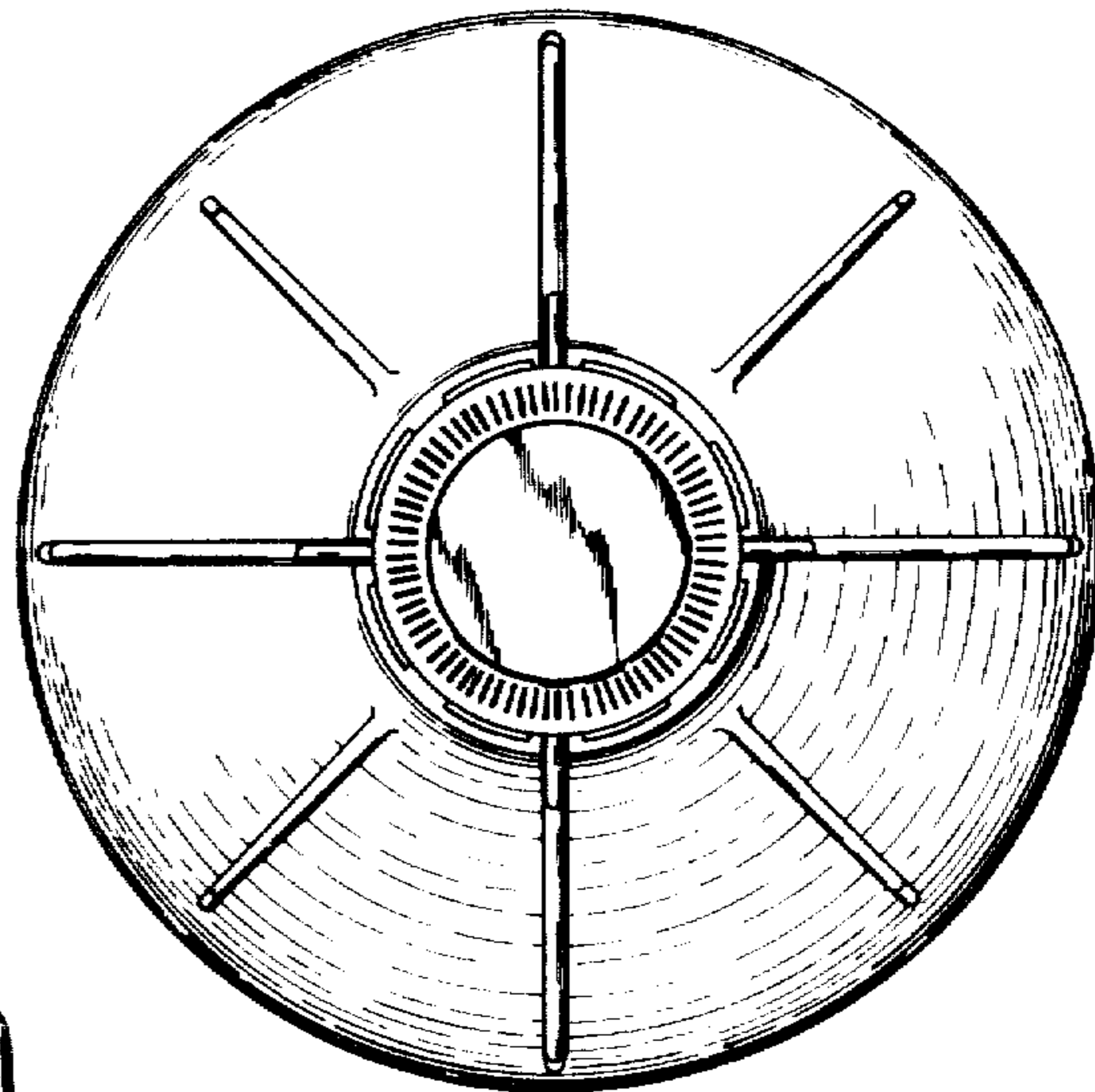
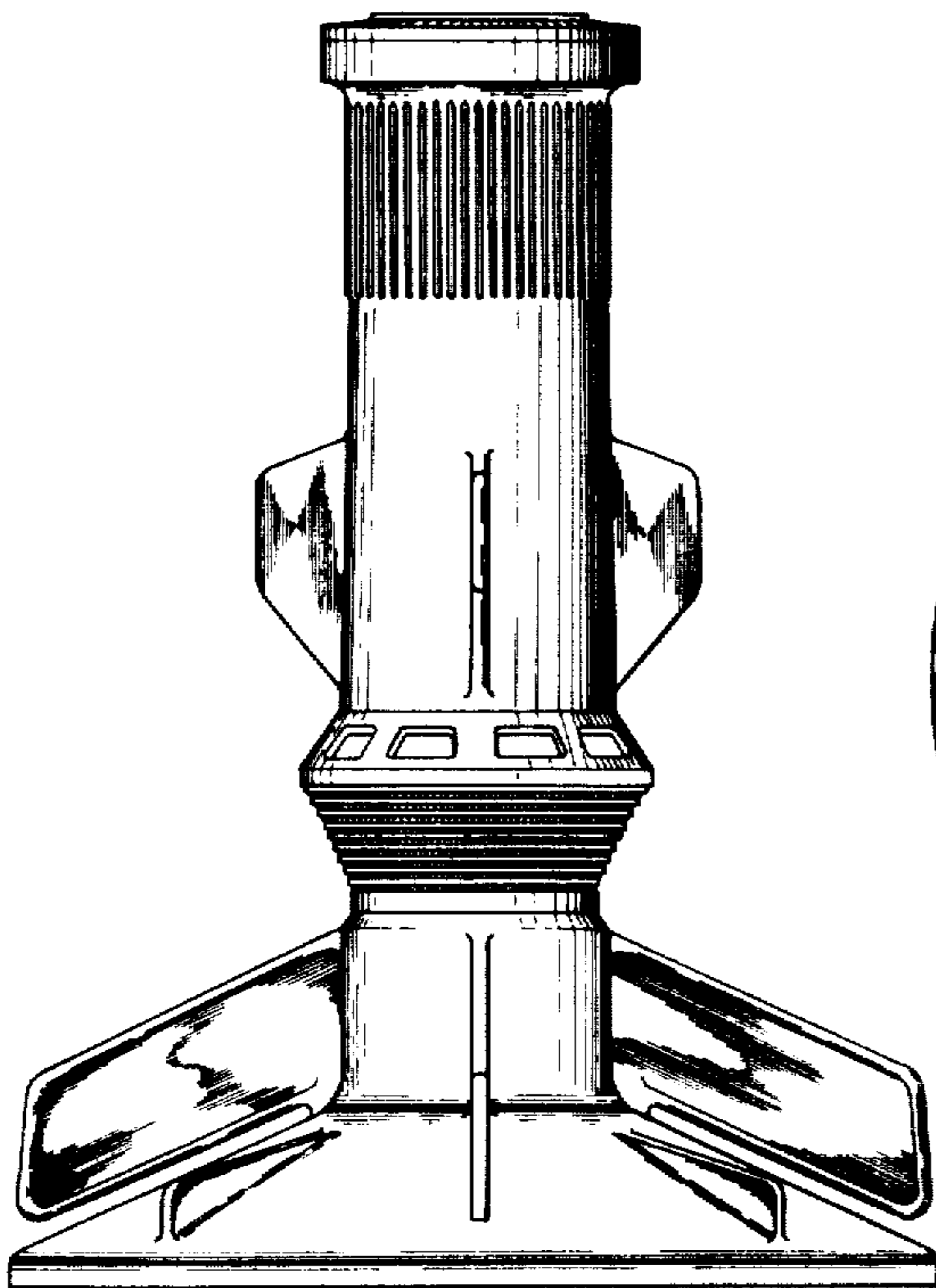
**DESCRIPTION**

FIG. 1 is a side elevational view of an agitator for an automatic washer or similar article showing our new design;

FIG. 2 is a top plan view;

FIG. 3 is another side elevational view thereof, showing the agitator rotated 45 degrees from the position illustrated in FIG. 1; and

FIG. 4 is a bottom plan view.



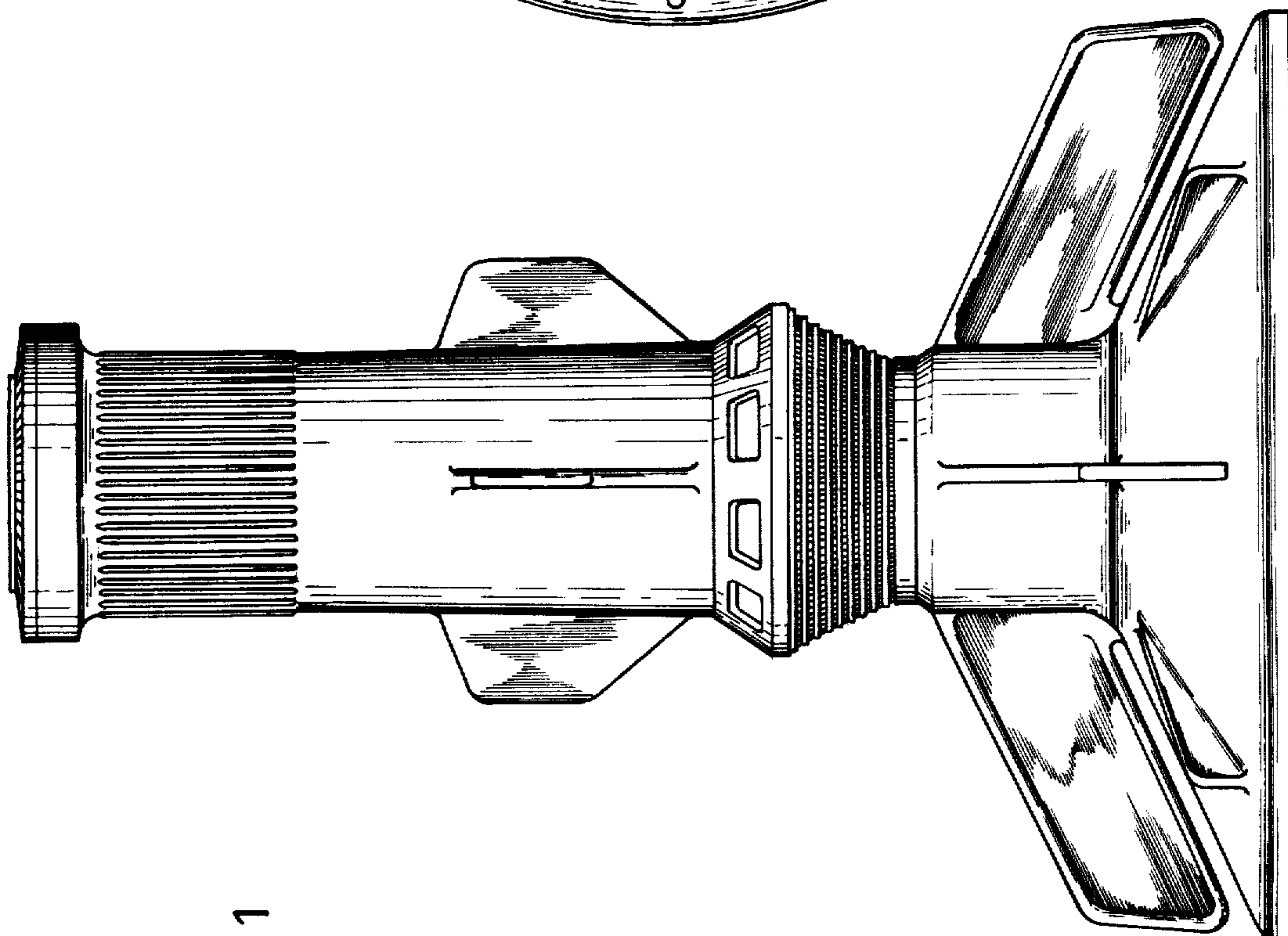


FIG. 1

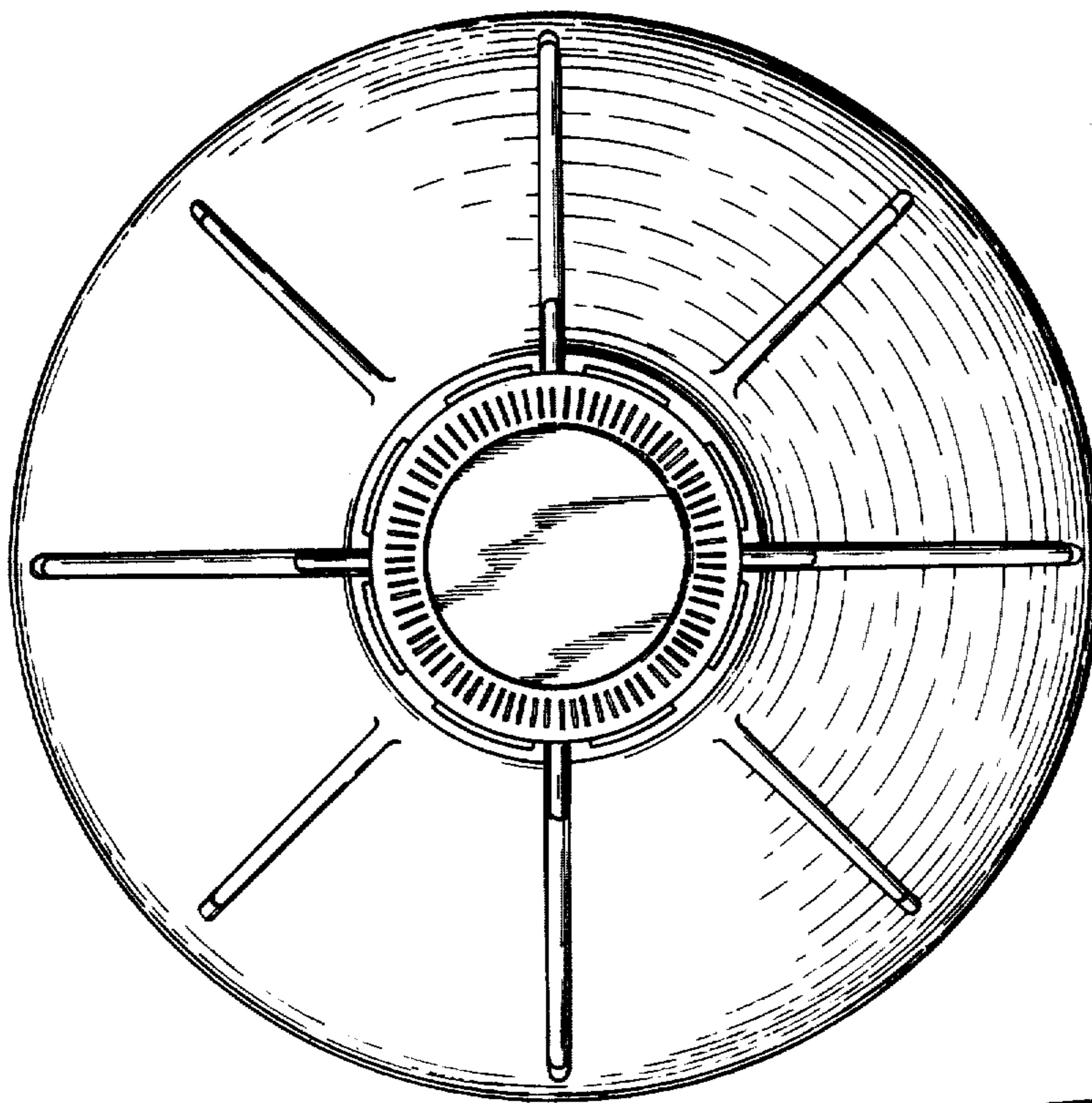


FIG. 2

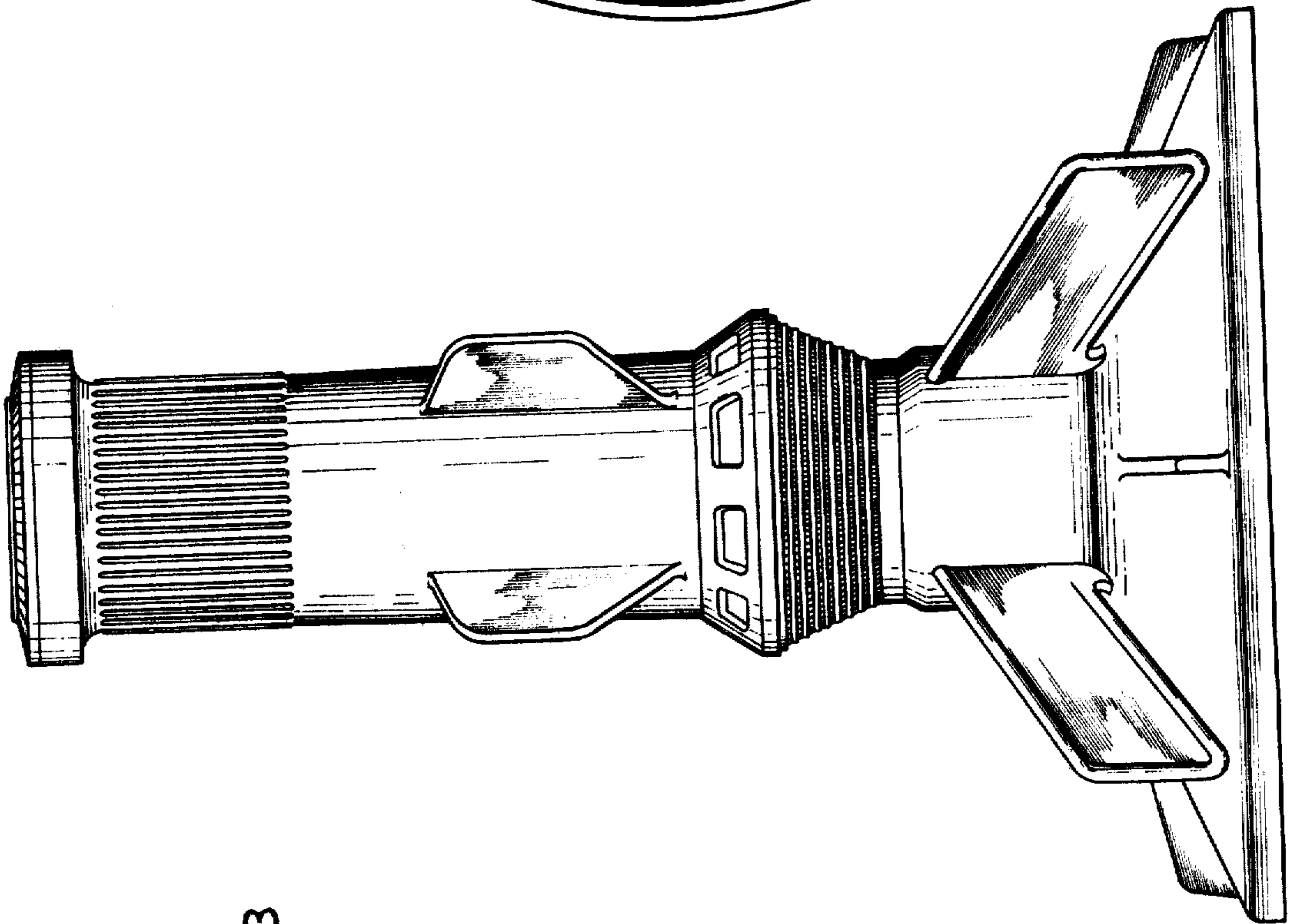


FIG. 3

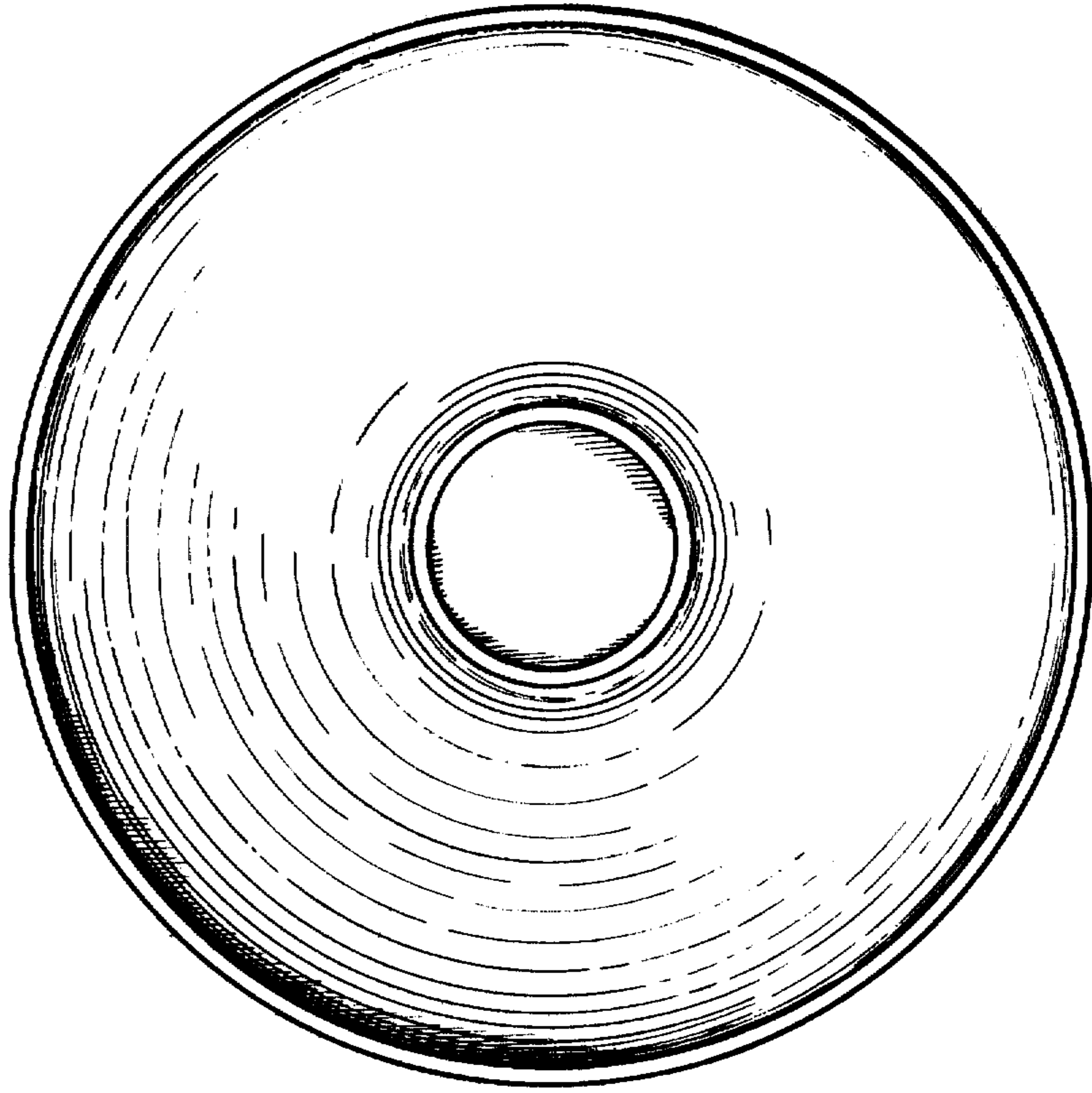


FIG. 4