

[54] HAIR CURLING IRON

[75] Inventor: Dennis E. Radatz, La Grange Park, Ill.

[73] Assignee: Sunbeam Corporation, Chicago, Ill.

[**] Term: 14 Years

[21] Appl. No.: 167,288

[22] Filed: Jul. 9, 1980

[51] Int. Cl. D28-03
[52] U.S. Cl. D28/35
[58] Field of Search D28/10-19, D28/25, 35; 219/222, 225; 132/7, 9, 37 R

[56] References Cited
U.S. PATENT DOCUMENTS

D. 251,205 2/1979 Ergaver et al. D28/35
D. 260,692 9/1981 Rakocy et al. D28/35

OTHER PUBLICATIONS

HFD-Retailing Home Furnishings, 7/10/1978, Section Two, p. 20-Andis Electric Brush at left.

HFD-Retailing Home Furnishings, 7/9/1979, Section Two, p. 62-Dazey Styling Comb at bottom left.

HFD-Retailing Home Furnishings, 7/9/1979, Section Two, p. 100-Northern Electric Styling Brush at right.

Primary Examiner-Louis S. Zarfes
Attorney, Agent, or Firm-George R. Clark; Neil M. Rose; Russell L. McIlwain

[57] CLAIM

The ornamental design for a hair curling iron, as shown and described.

DESCRIPTION

FIG. 1 is a perspective view of a hair curling iron showing my new design;
FIG. 2 is a side elevational view thereof on an enlarged scale showing the side opposite that included in FIG. 1;
FIG. 3 is a top plan view thereof on an enlarged scale;
FIG. 4 is a bottom plan view thereof on an enlarged scale;
FIG. 5 is an end elevational view thereof on an enlarged scale taken from the left hand end of FIG. 3; and
FIG. 6 is an end elevational view thereof on an enlarged scale taken from the right hand end of FIG. 3
The broken line showing of tines in FIGS. 1-6 is illustrative of environment only.

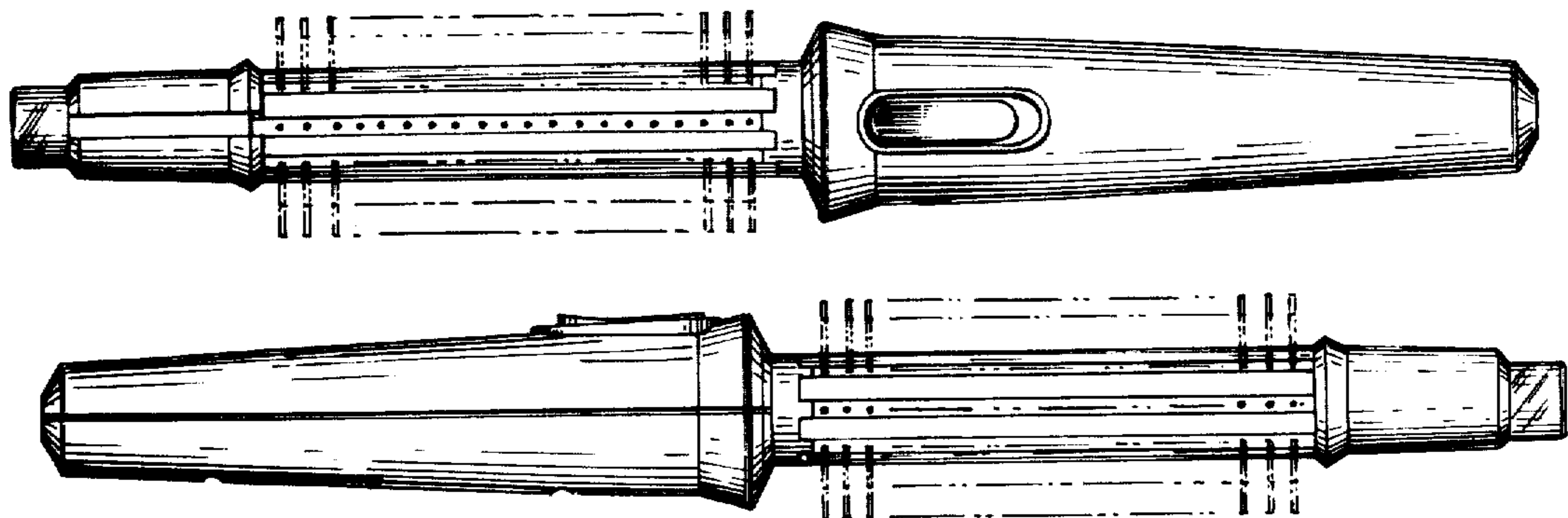


Fig. 6

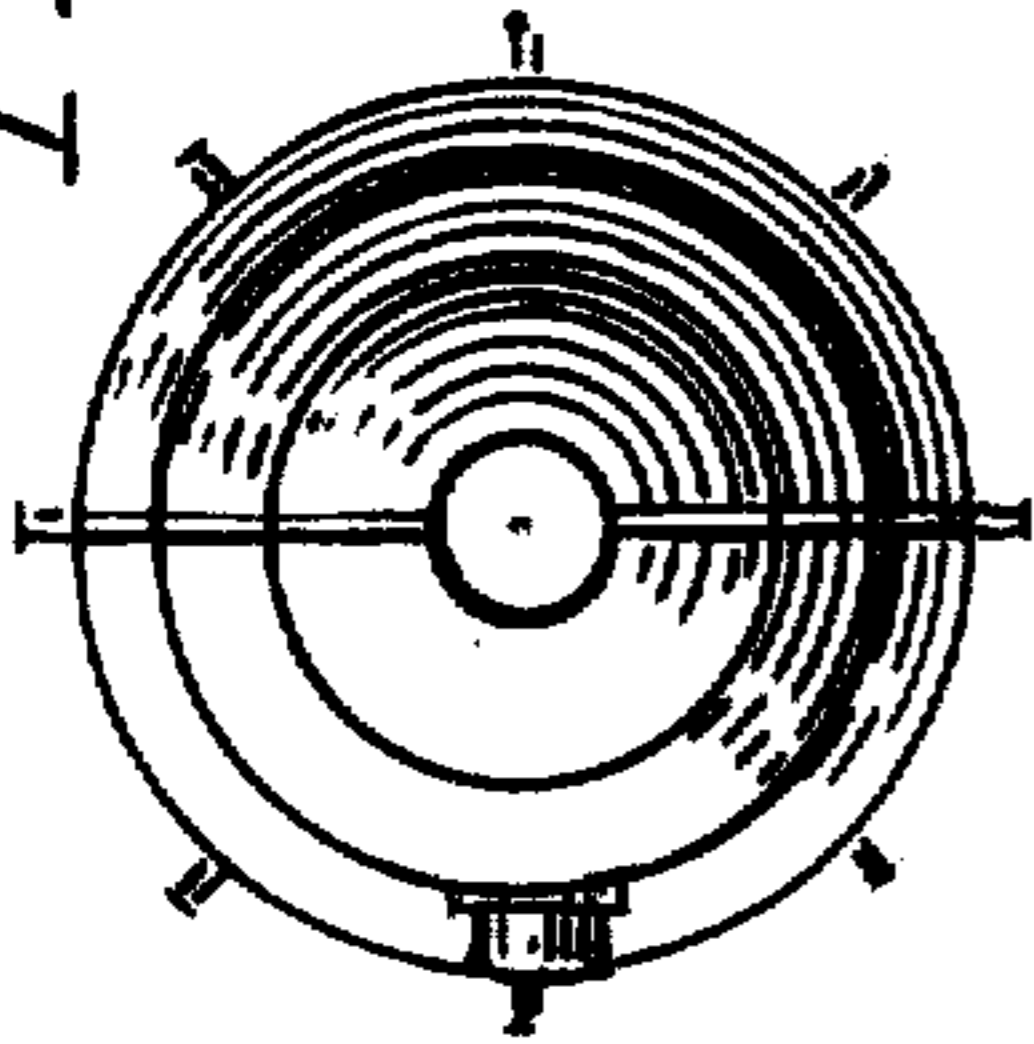


Fig. 1

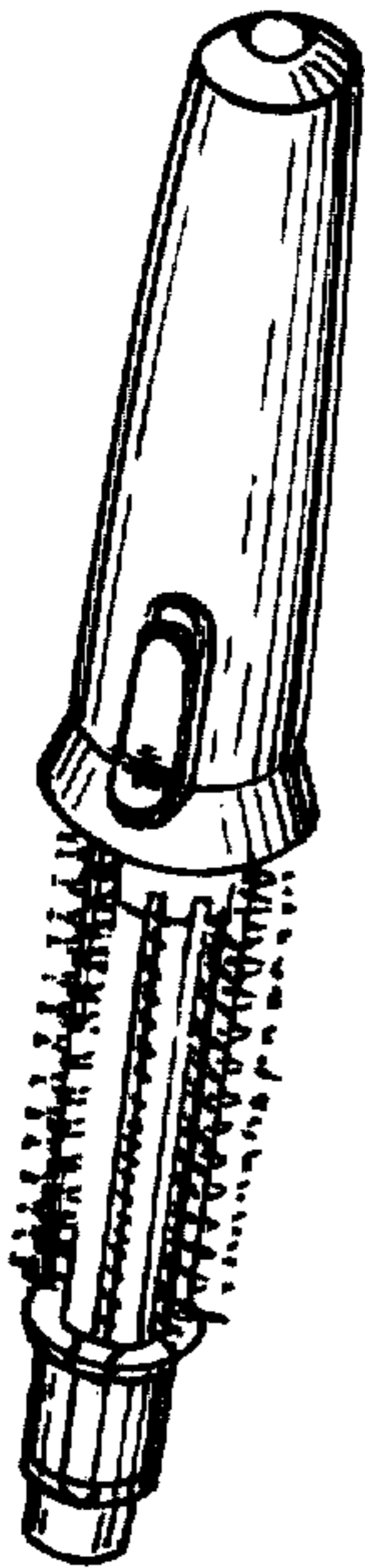


Fig. 3

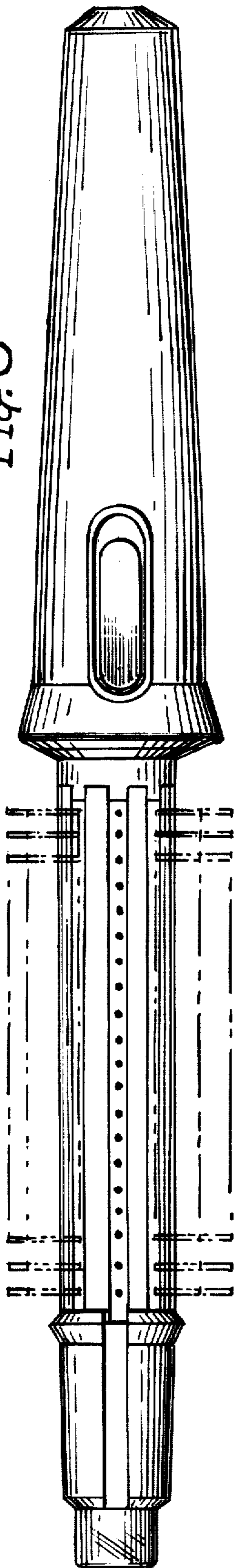


Fig. 2

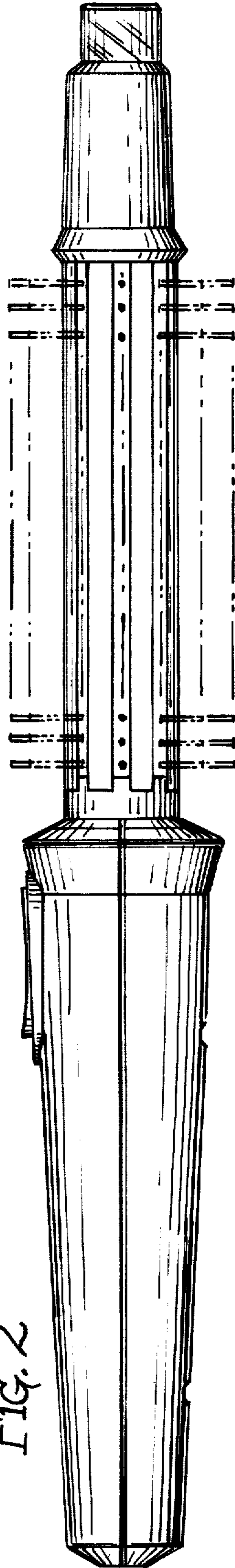


Fig. 4

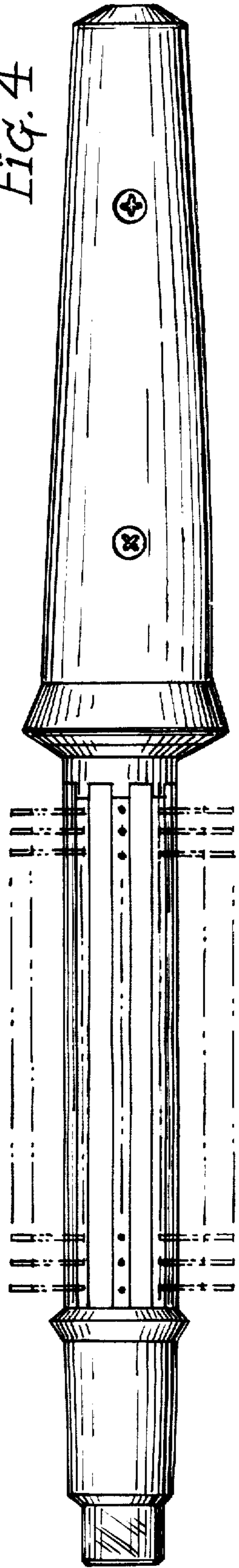


Fig. 5

