

[54] PERSONAL MESSAGE CENTER

[76] Inventor: **Jacob Y. Wong**, 4589 Camino Molinero, Santa Barbara, Calif. 93110

[**] Term: **14 Years**

[21] Appl. No.: **196,822**

[22] Filed: **Oct. 14, 1980**

[51] Int. Cl. **D20-03**
[52] U.S. Cl. **D20/18; D10/111; D19/65; D19/75; D20/15**
[58] Field of Search **D19/65, 75, 90; D10/109, 111, 114; D20/10, 12, 15, 18, 19, 20; 40/564, 573, 574, 575, 577, 361, 367; 340/366 R, 378.1, 378.3**

[56]

References Cited

U.S. PATENT DOCUMENTS

D. 230,320	2/1974	Lowery et al.	D19/75 X
D. 253,773	12/1979	Bieger	D19/75 X
3,651,512	3/1972	Summers	40/573 X
3,735,386	5/1973	Acuna	340/378.1 X

Primary Examiner—Catherine E. Kemper
Attorney, Agent, or Firm—Harry W. Brelsford

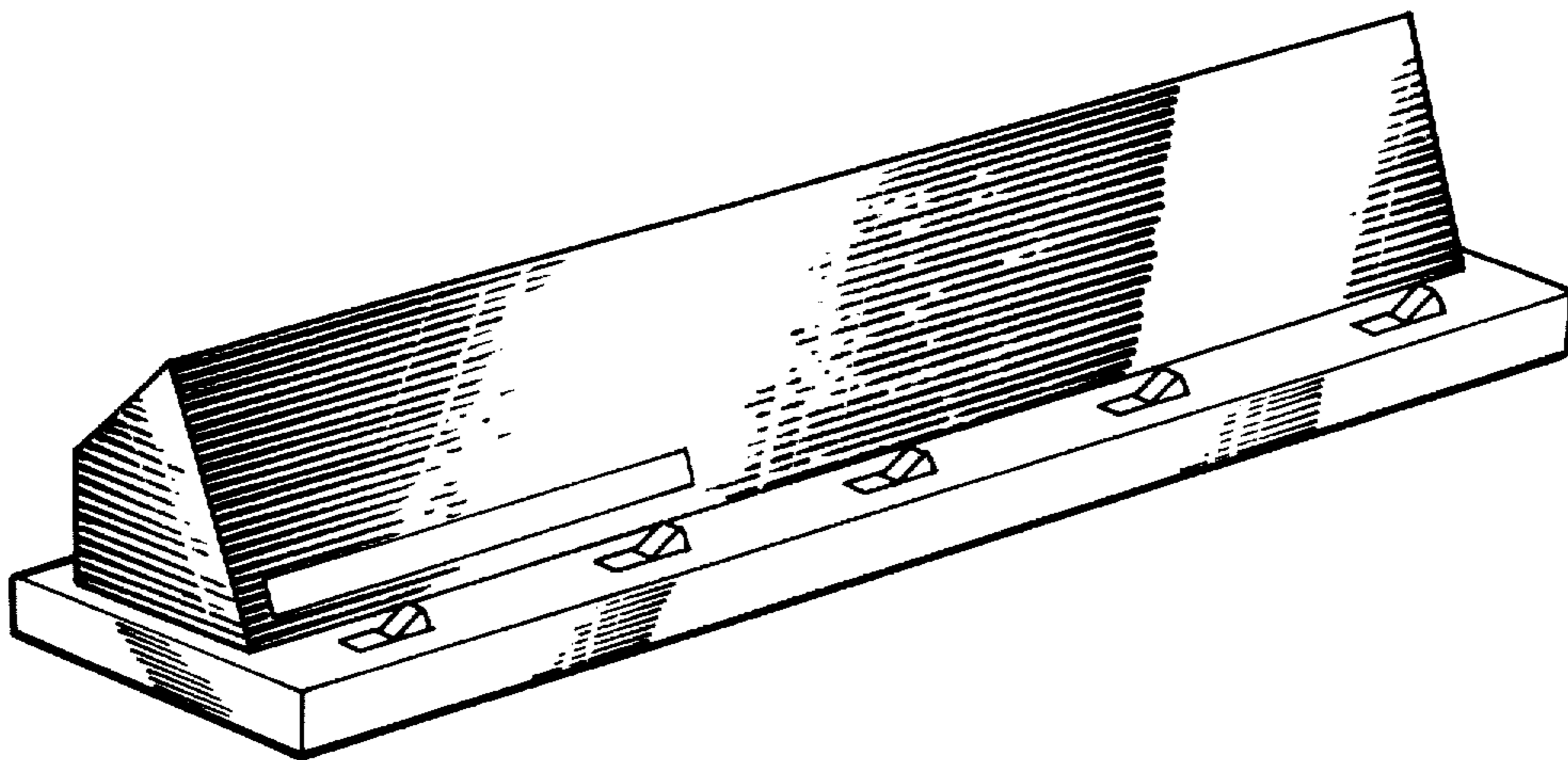
[57]

CLAIM

The ornamental design for a personal message center, as shown and described.

DESCRIPTION

FIG. 1 is a perspective view of a personal message center, showing my new design;
FIG. 2 is a right end elevational view thereof;
FIG. 3 is a top plan view thereof;
FIG. 4 is a front elevational view thereof;
FIG. 5 is a rear elevational view thereof.
The bottom of the claimed device is substantially planar and unornamented.



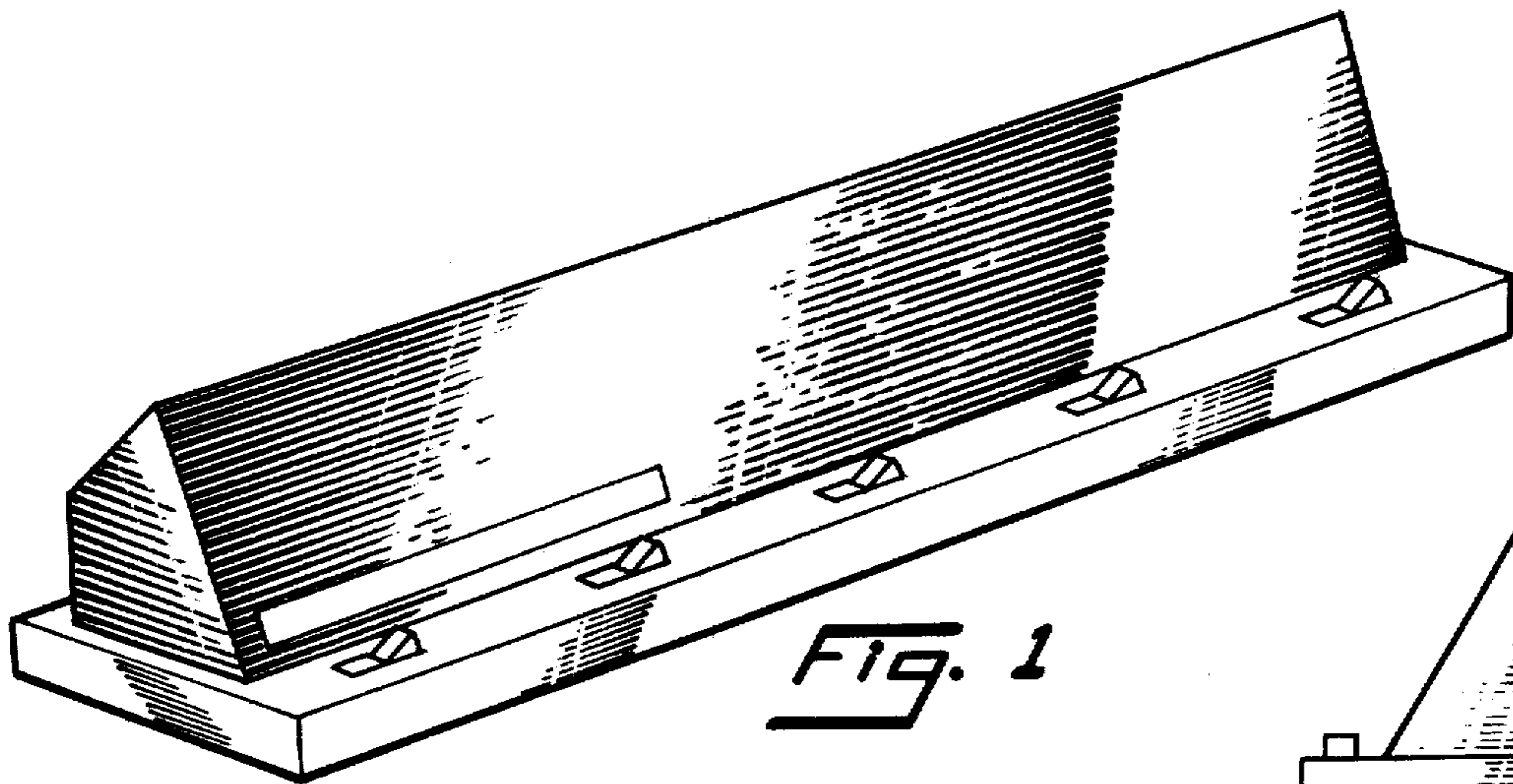


Fig. 1

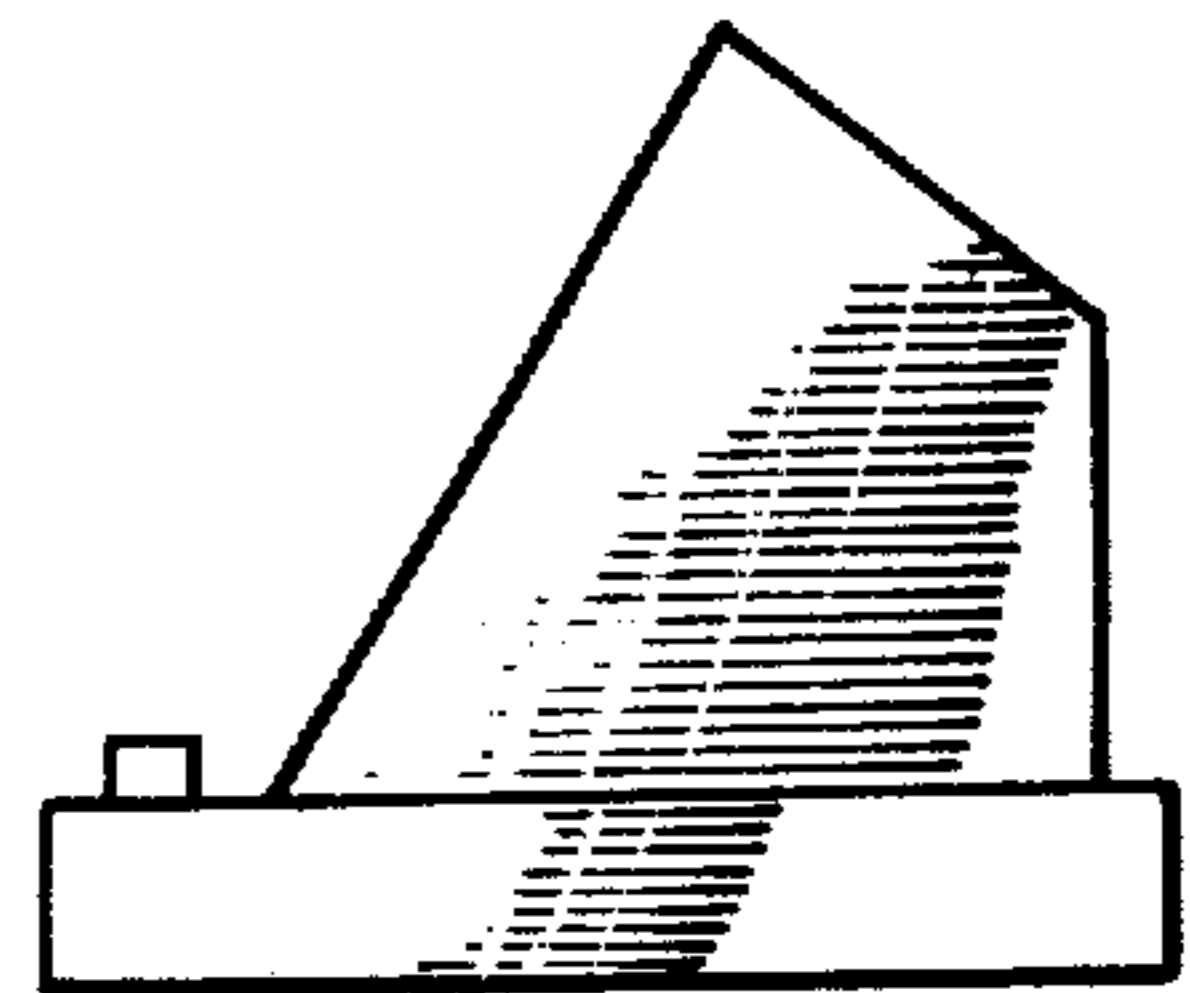


Fig. 2

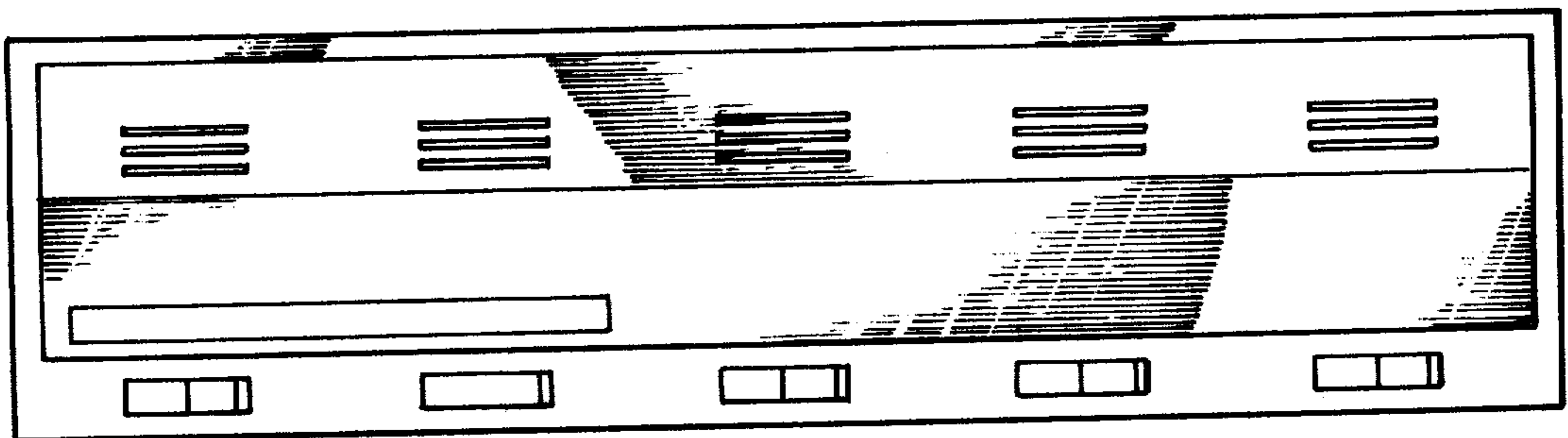


Fig. 3

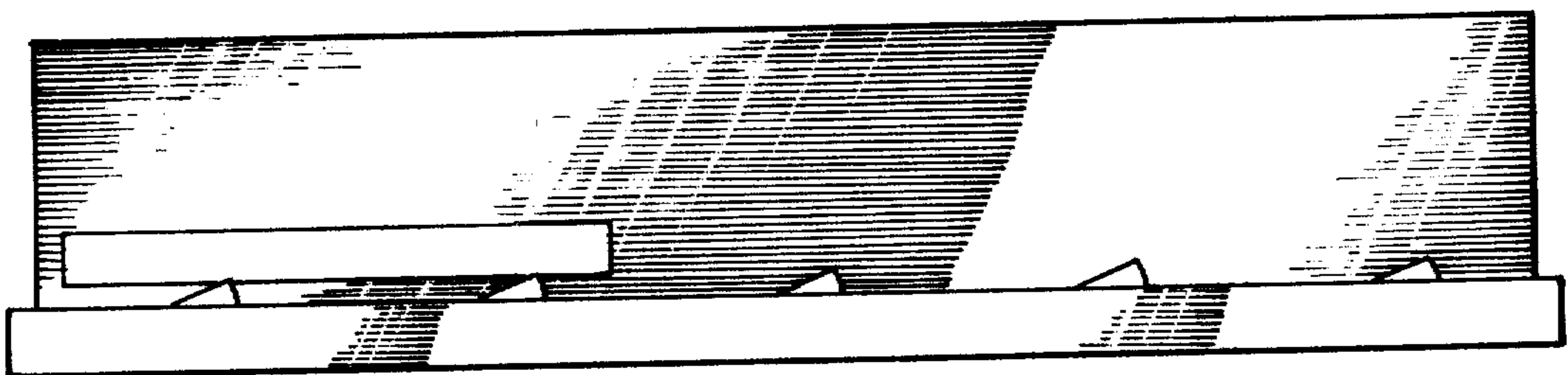


Fig. 4

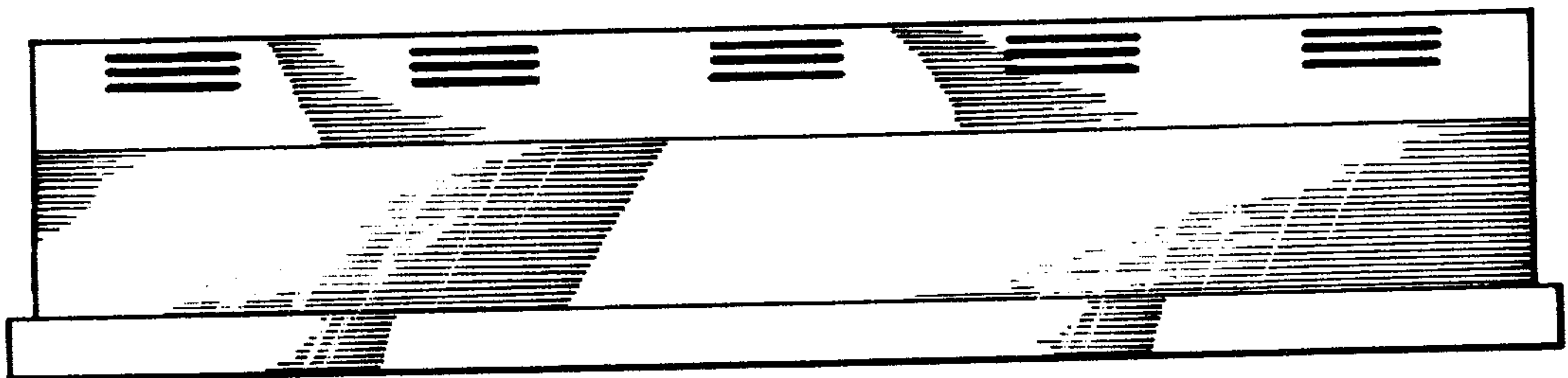


Fig. 5