

[54] COMBINED LETTER TRAY AND FILE

[75] Inventors: James V. Vevirit, Williamsville; Francis V. Herr, Kenmore; Thomas B. Walklet, East Amherst, all of N.Y.; James G. Hansen, Winnetka; Theodore J. Hasler, Chicago, both of Ill.

[73] Assignee: McDonald Products Corporation, Buffalo, N.Y.

[**] Term: 14 Years

[21] Appl. No.: 220,106

[22] Filed: Dec. 24, 1980

[51] Int. Cl. D19-02

[52] U.S. Cl. D19/92; D19/90; D19/91

[58] Field of Search D19/21, 22, 75, 76, D19/78, 86, 90-92; 211/126; 206/425; D3/35

[56] References Cited

U.S. PATENT DOCUMENTS

- D. 192,277 2/1962 Meyer D19/92
- D. 244,852 6/1977 Fieni D19/92
- D. 257,778 1/1981 Macowski D19/92
- D. 260,323 8/1981 Johnson D3/35

OTHER PUBLICATIONS

Office Appliances, 10/77, p. 204, top center.

Primary Examiner—George P. Word

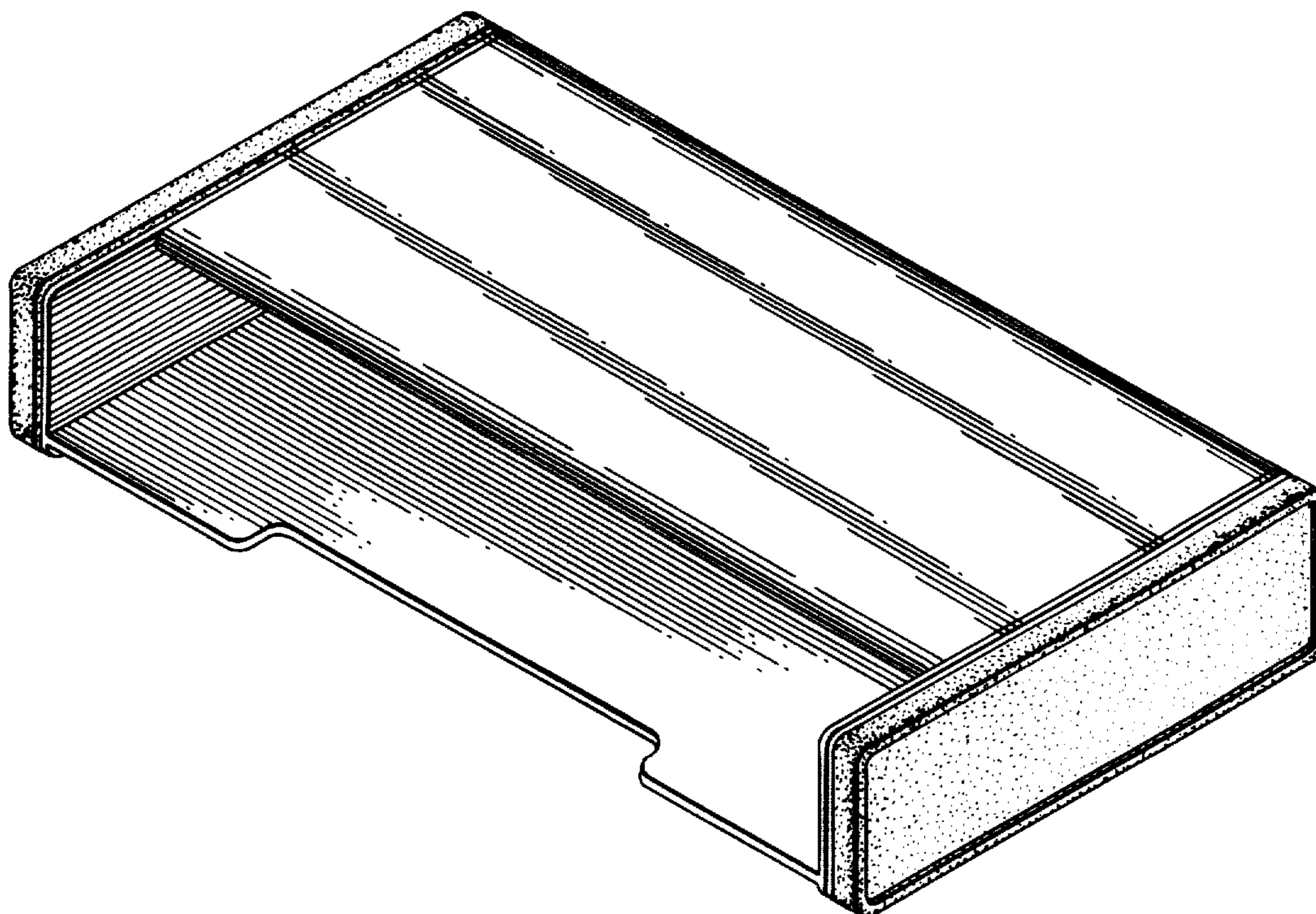
Attorney, Agent, or Firm—Christel, Bean & Linihan

[57] CLAIM

The ornamental design for a combined letter tray and file, substantially as shown and described.

DESCRIPTION

FIG. 1 is a top perspective view of a combined letter tray and file, showing our new design; FIG. 2 is a bottom perspective view thereof; FIG. 3 is a front elevational view thereof; FIG. 4 is a top plan view thereof; FIG. 5 is a rear elevational view thereof; FIG. 6 is a bottom plan view thereof; and FIG. 7 is a right side elevational view of FIG. 4. The side not shown is a mirror image of the view shown in FIG. 7.



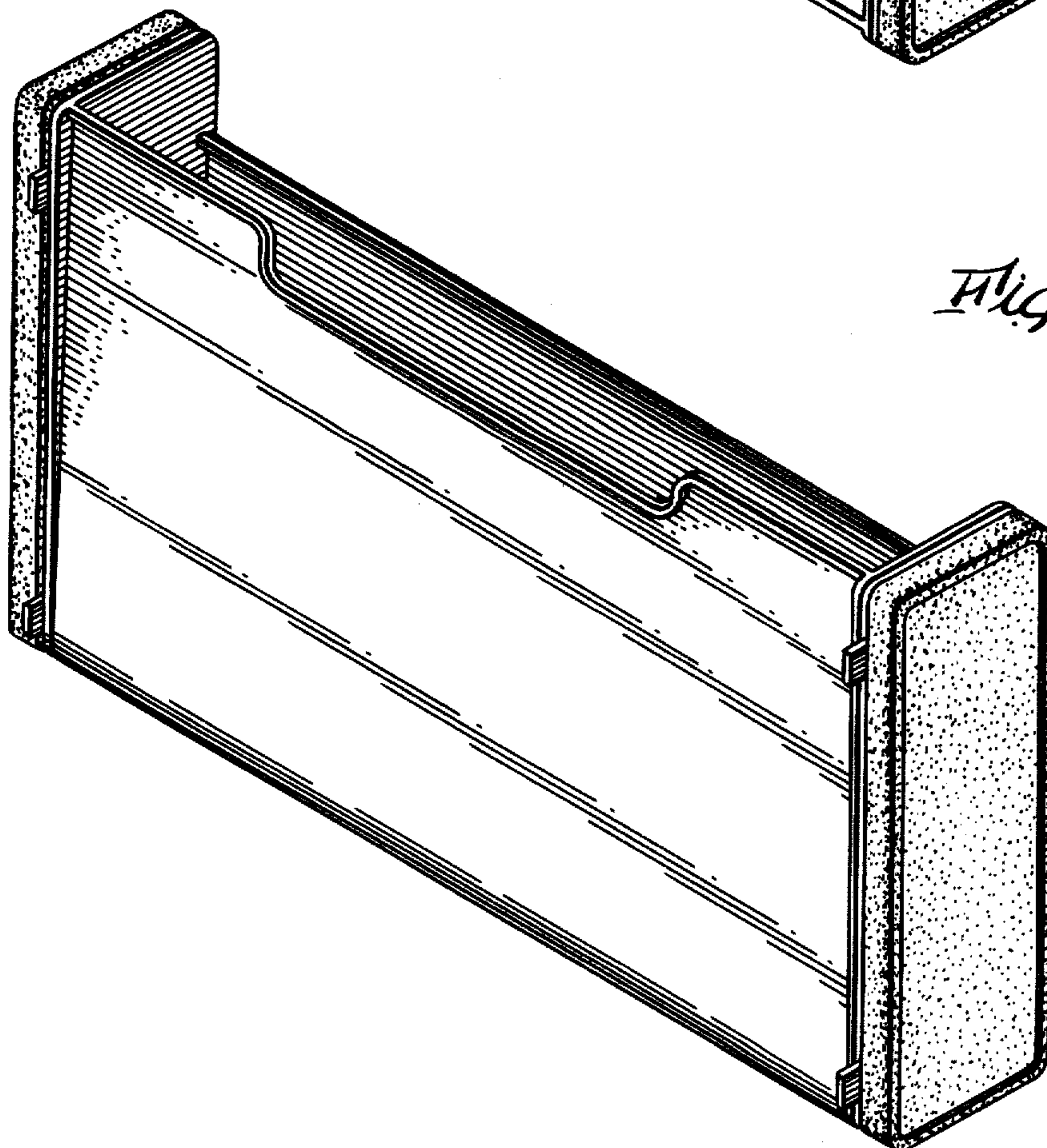
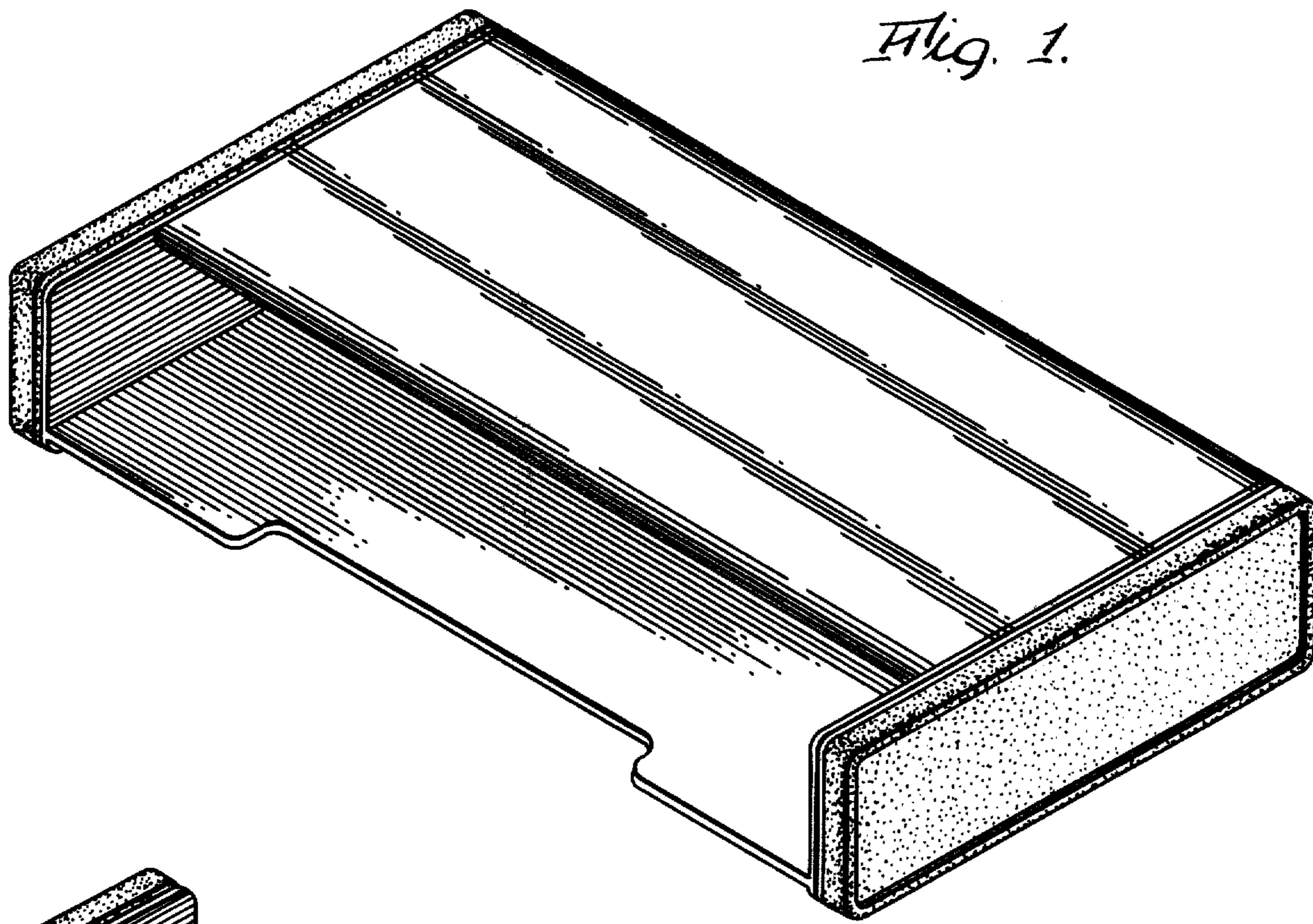


Fig. 3.

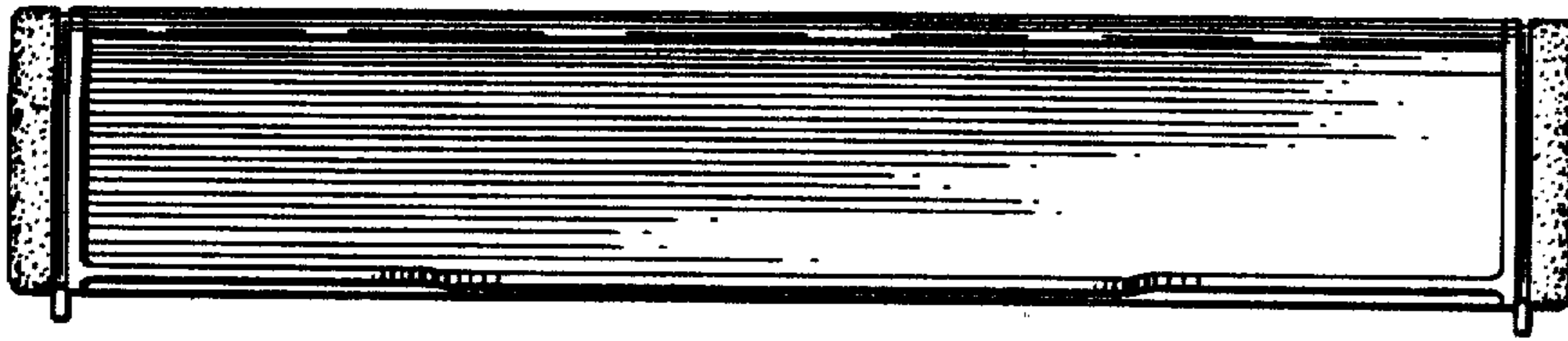


Fig. 4.

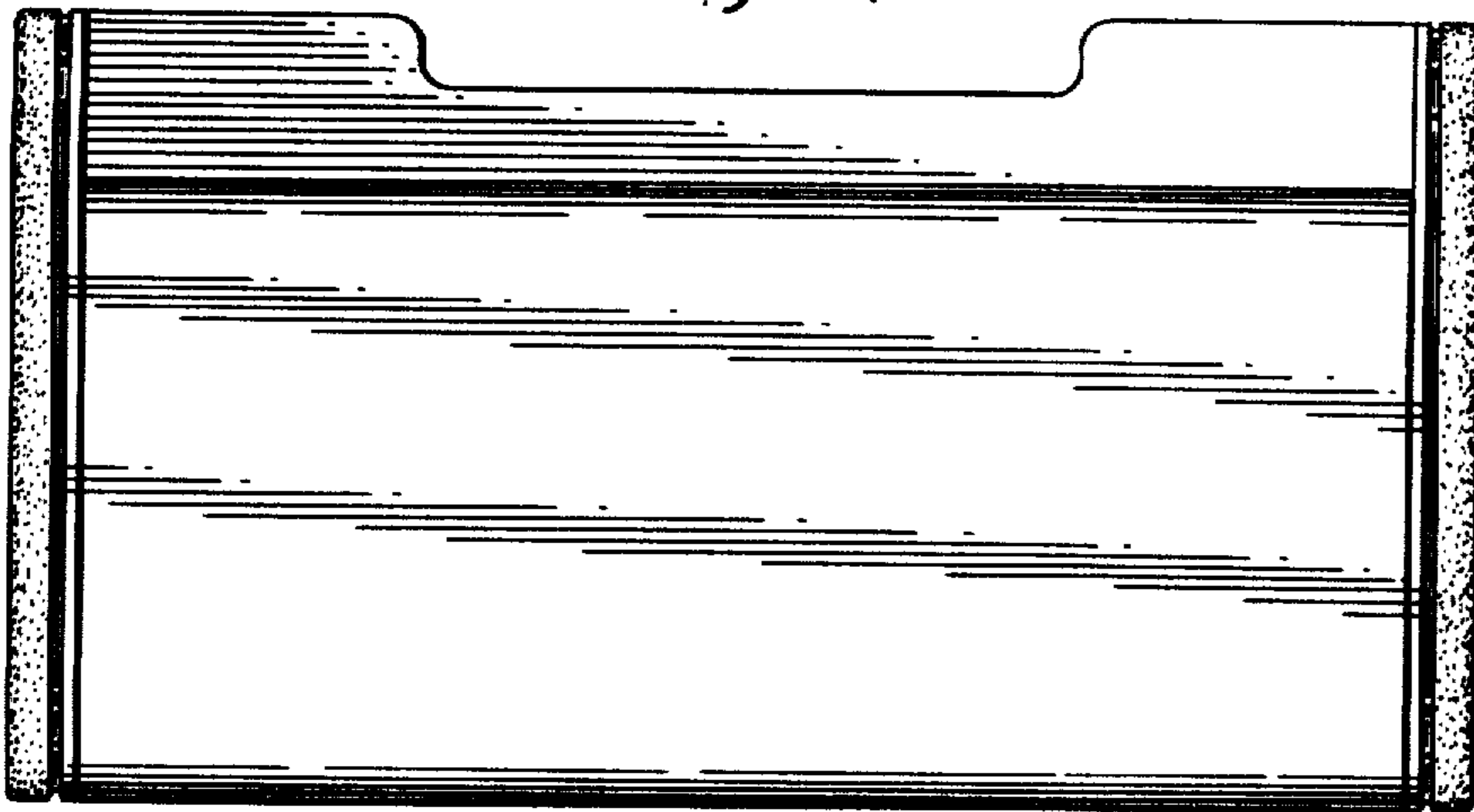


Fig. 7.

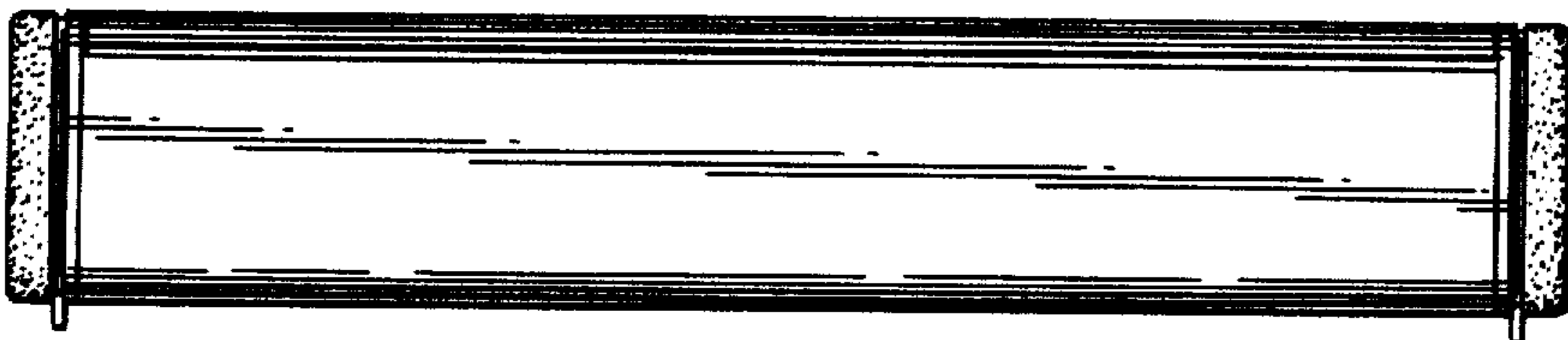
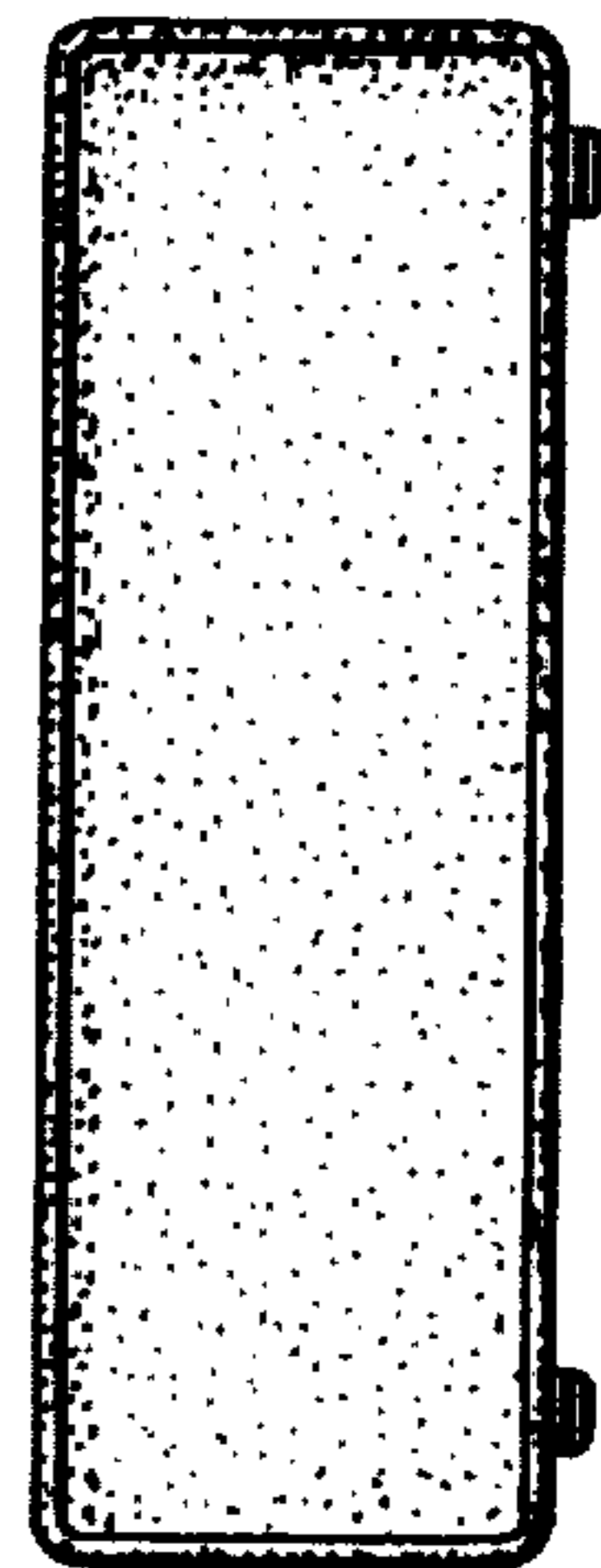


Fig. 5.

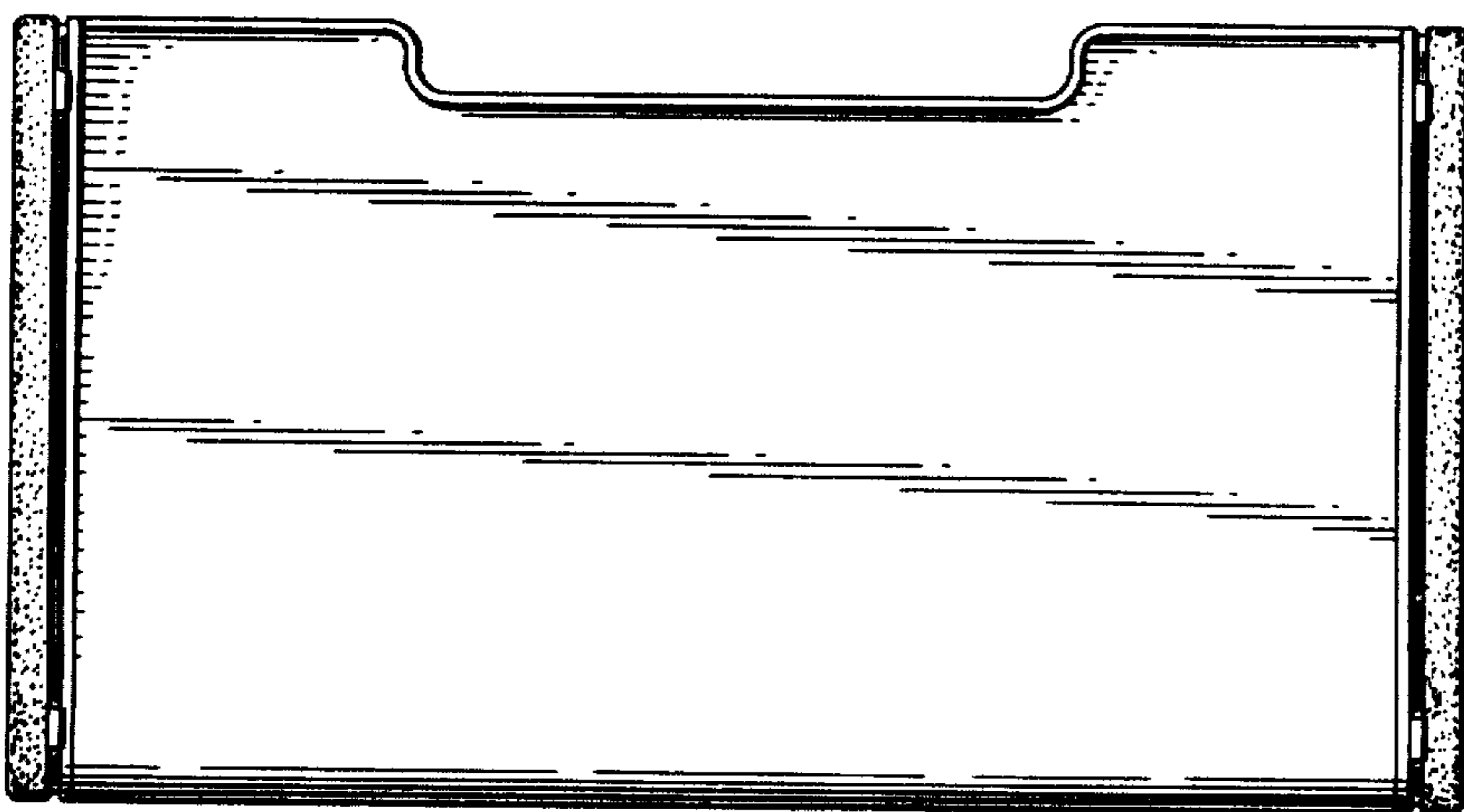


Fig. 6.