

- [54] PEN
- [75] Inventor: Jack Nadel, Los Angeles, Calif.
- [73] Assignee: Measured Marketing Services, Inc.,  
Santa Monica, Calif.
- [\*\*] Term: 14 Years
- [21] Appl. No.: 239,012
- [22] Filed: Feb. 27, 1981
- [51] Int. Cl. .... D19-06
- [52] U.S. Cl. .... D19/43; D19/46
- [58] Field of Search ..... D19/36, 35, 41-51,  
D19/54-57; 401/195; 40/335, 334; D7/43

- D. 190,700 6/1961 Cline ..... D19/36
- D. 201,734 7/1965 Derenski ..... D19/36
- D. 234,636 3/1977 Burgard, Jr. .... D19/36
- D. 258,911 4/1981 Sandel ..... D19/36
- 3,961,852 6/1976 Parry ..... D19/46

*Primary Examiner*—George P. Word  
*Attorney, Agent, or Firm*—Freilich, Hornbaker,  
 Wasserman, Rosen & Fernandez

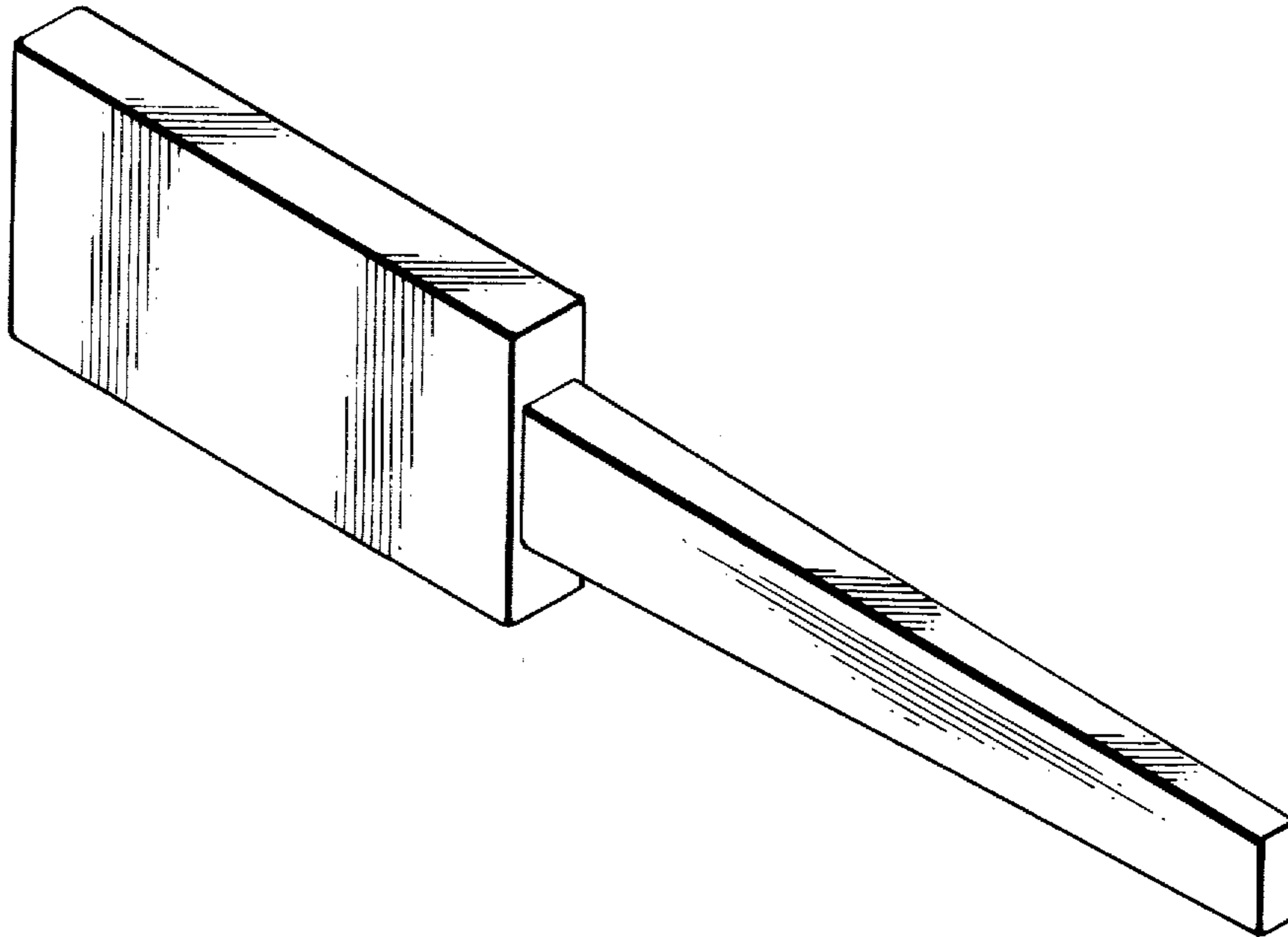
[57] CLAIM

The ornamental design for a pen, substantially as shown.

DESCRIPTION

- FIG. 1 is a front perspective view of a pen showing my new design.
- FIG. 2 is a rear elevational view thereof.
- FIG. 3 is a plan view thereof.
- FIG. 4 is a left side elevational view thereof.
- FIG. 5 is a right side elevational view thereof.

- [56] **References Cited**  
 U.S. PATENT DOCUMENTS  
 D. 185,331 5/1959 Tannenbaum ..... D19/36



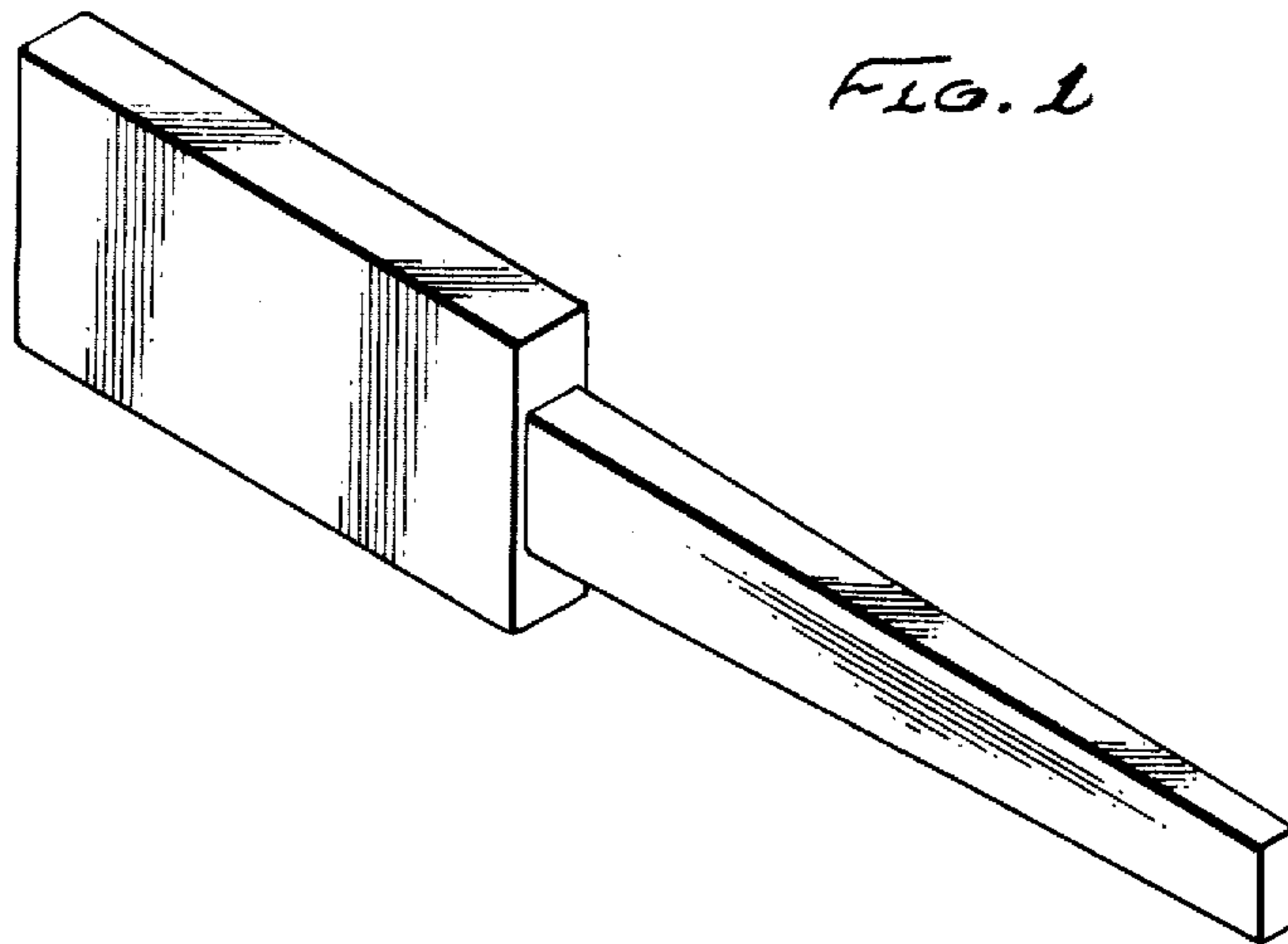


FIG. 2

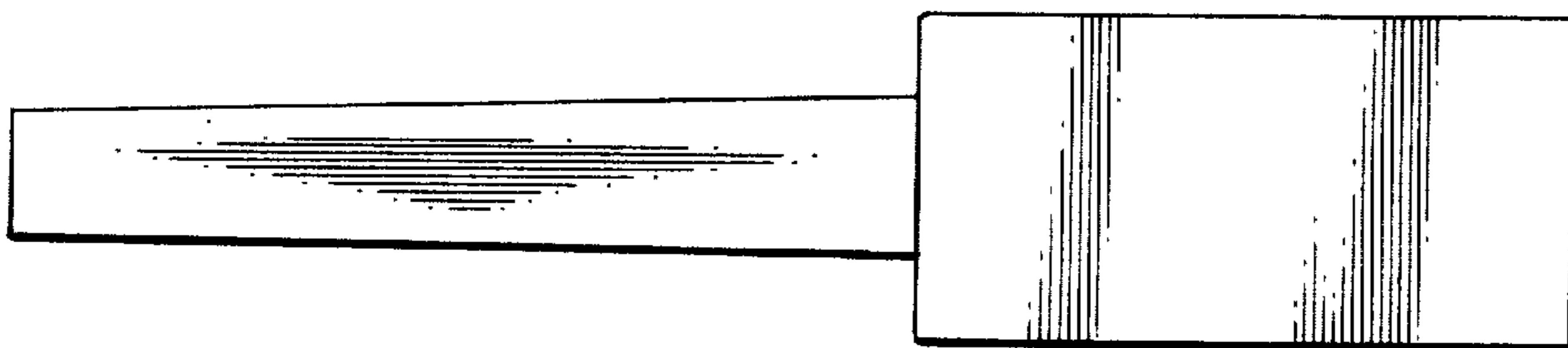


FIG. 3

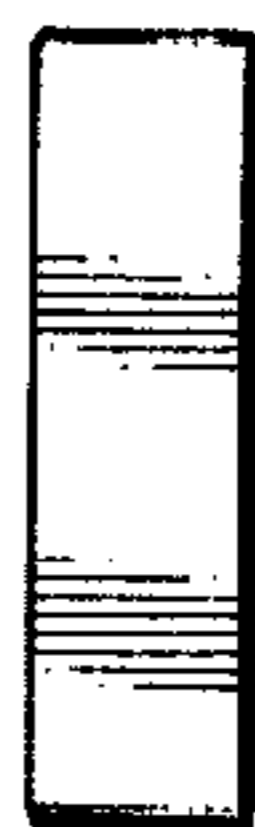
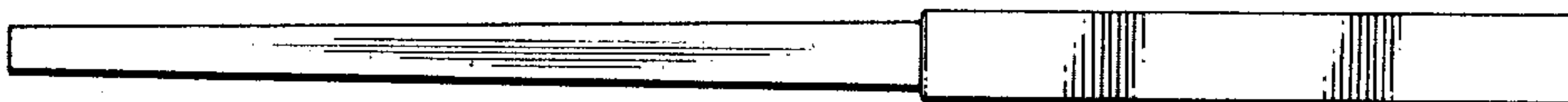


FIG. 4

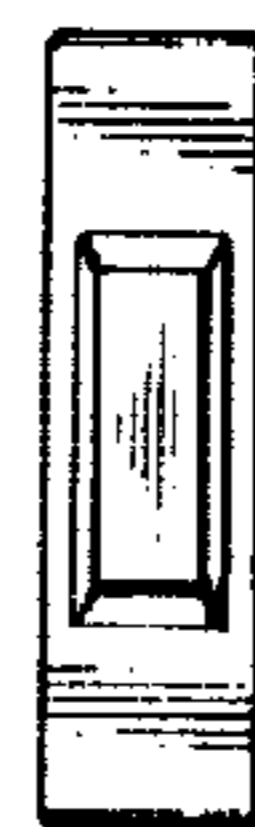


FIG. 5