

[54] COMBINED PORTFOLIO AND WRITING PAD

[75] Inventors: Ronald A. Miller, Plainwell; Robert Korstanje, Richland, both of Mich.

[73] Assignee: The Upjohn Company, Kalamazoo, Mich.

[\*\*] Term: 14 Years

[21] Appl. No.: 177,303

[22] Filed: Aug. 11, 1980

[51] Int. Cl. .... D19-04

[52] U.S. Cl. .... D19/26; D19/86

[58] Field of Search ..... D3/56; D19/26, 27, 75, D19/86; 281/22, 15 B

[56] References Cited

U.S. PATENT DOCUMENTS

- D. 135,393 3/1943 Weinger et al. .... D19/86
- D. 136,862 12/1943 Wollenberger ..... D19/86

OTHER PUBLICATIONS

Joshua Meier Co. V.P.D. Cat. 1966-1967, p. 30 top ctr. Hazel Cat. 1971-1972, p. 18, bottom. Ambassador Leather Goods Cat. 1970, p. 103, top.

Primary Examiner—George P. Word  
Attorney, Agent, or Firm—Sidney B. Williams, Jr.

[57] CLAIM

The ornamental design for a combined portfolio and writing pad, substantially as shown and described.

DESCRIPTION

FIG. 1 is a perspective view of a combined portfolio and writing pad showing our new design in a partially open condition;  
FIG. 2 is a perspective view thereof with the writing pad removed from the pocket;  
FIG. 3 is a front perspective view thereof in the fully open condition; and  
FIG. 4 is a rear perspective view thereof.

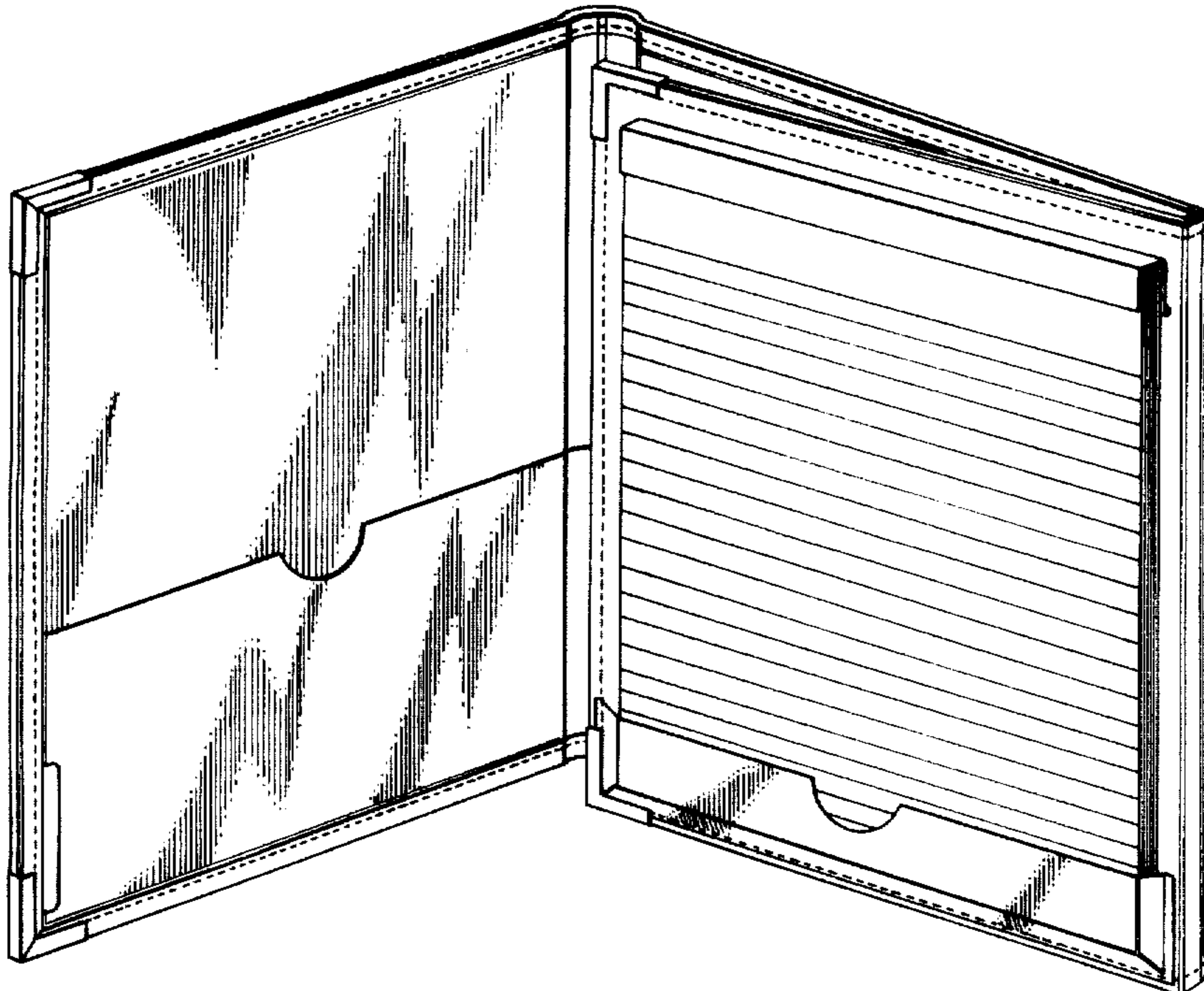


FIG. 1

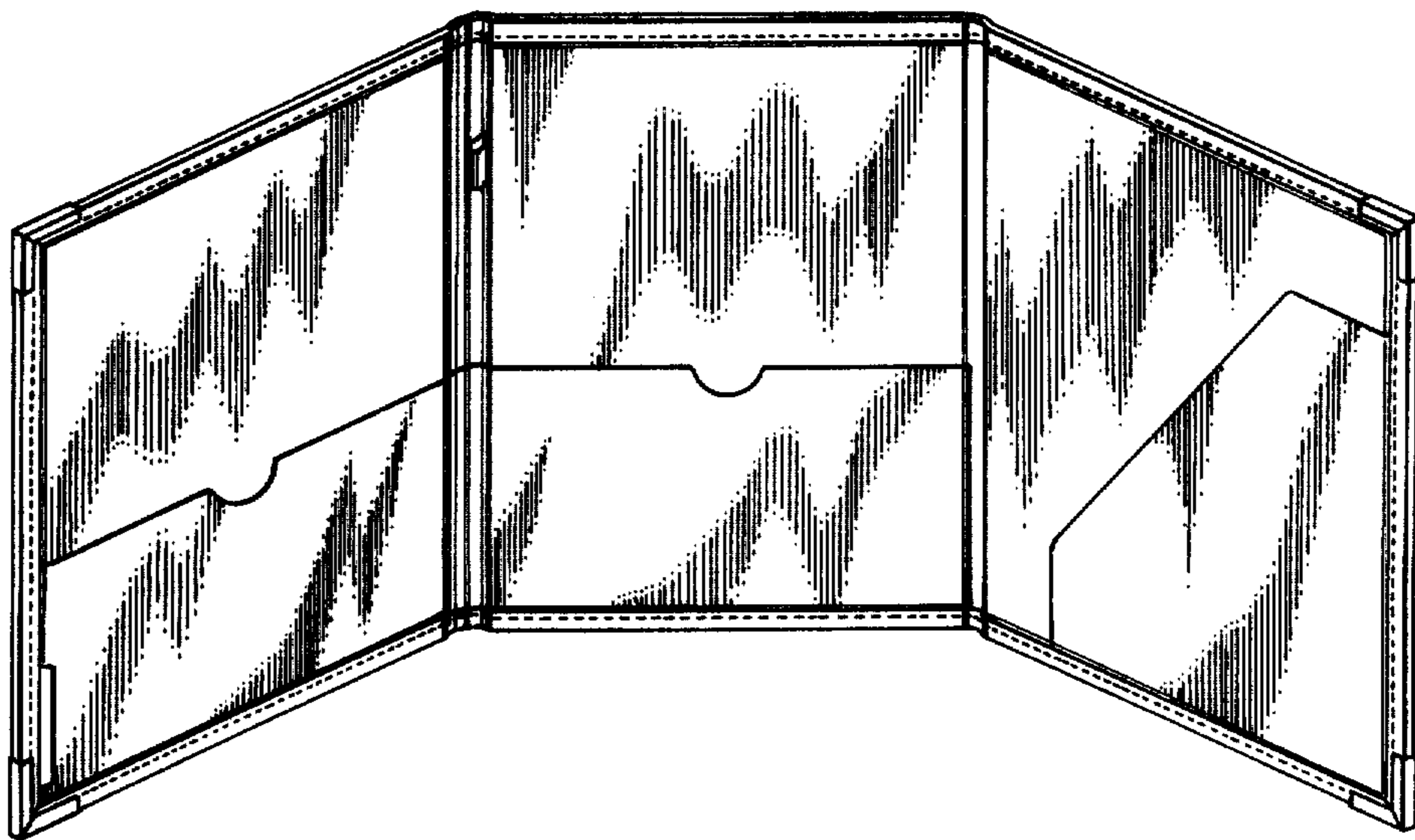
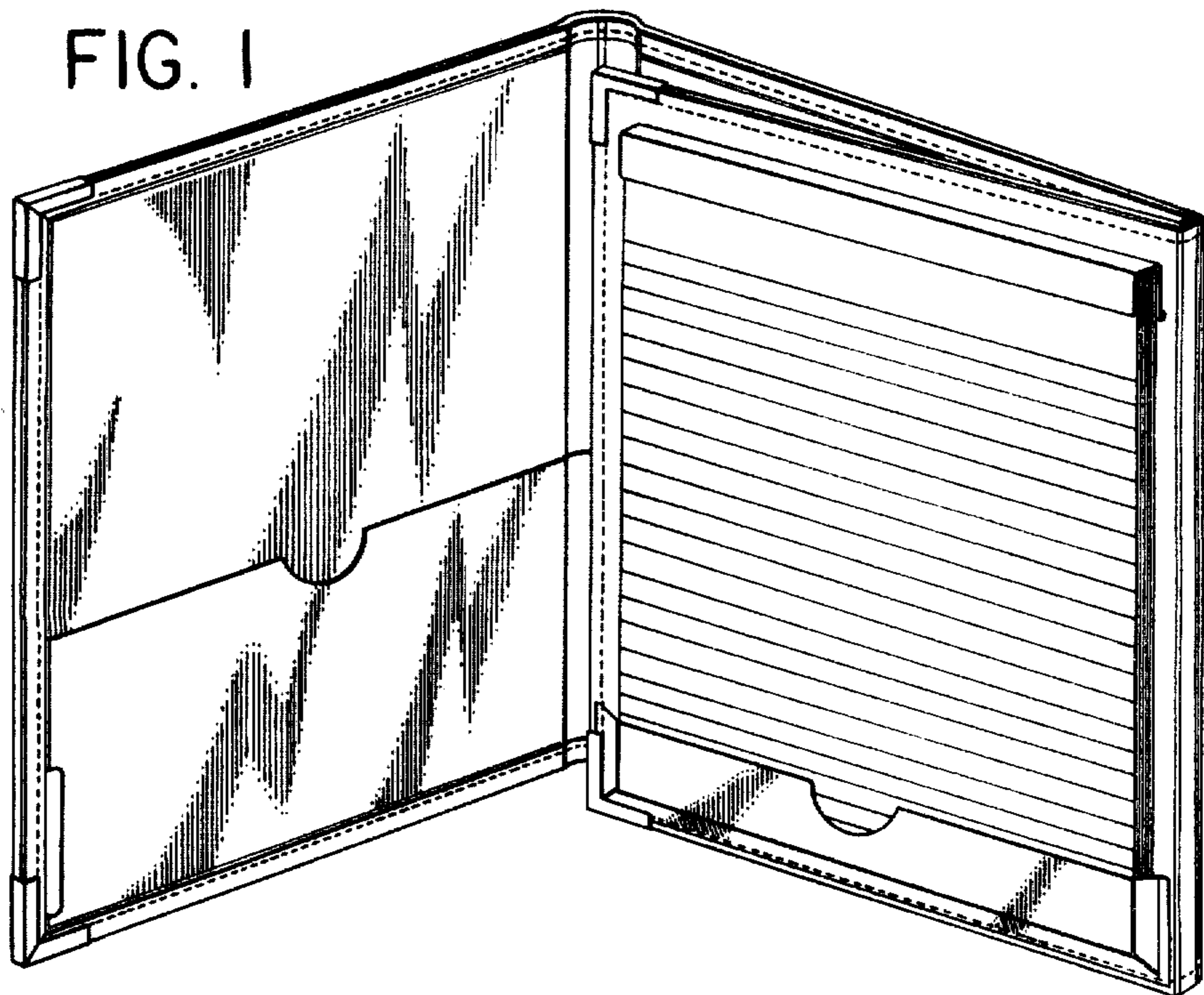


FIG. 3

FIG. 2

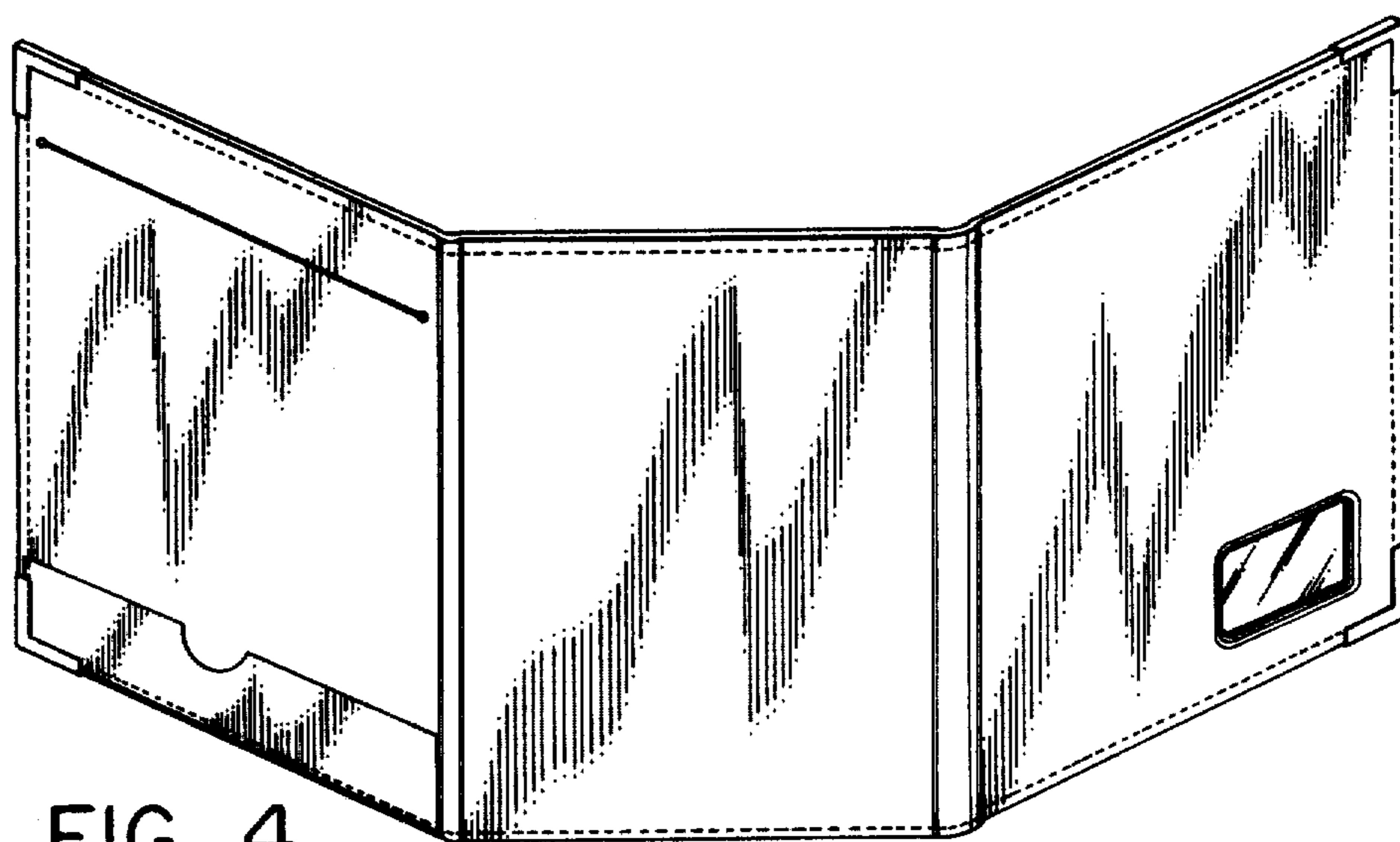
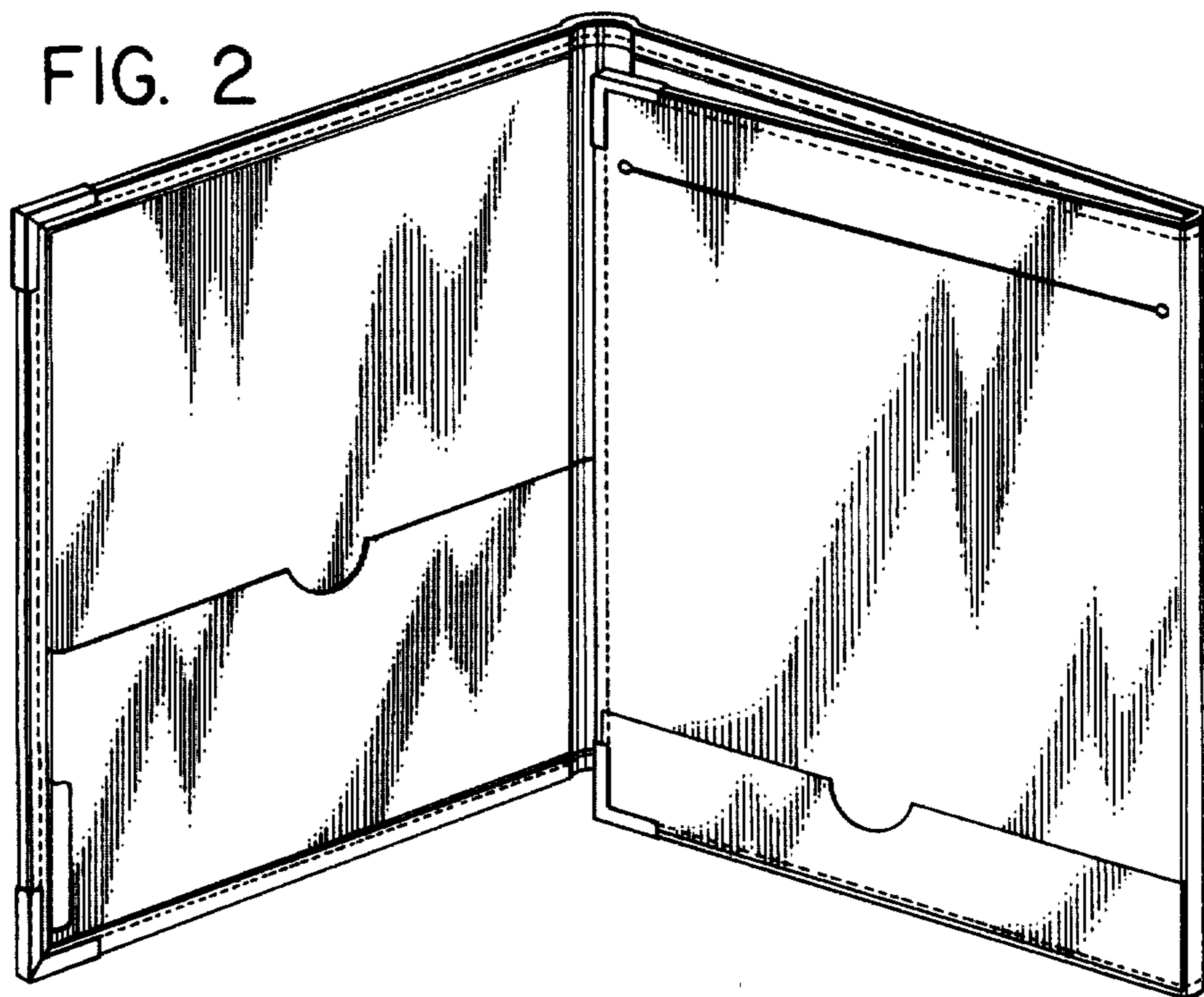


FIG. 4

UNITED STATES PATENT OFFICE  
CERTIFICATE OF CORRECTION

Patent No. Des. 267,653 Dated January 18, 1983

Inventor(s) Ronald A. Miller and Robert Korstanje

It is certified that error appears in the above-identified patent and that said Letters Patent are hereby corrected as shown below:

On the title page after Item /57/ should read:

-- Be it known that we, Ronald A. Miller and Robert Korstanje have invented a new, original, and ornamental design for a combined portfolio and writing pad, of which the following is a specification, reference being had to the accompanying drawing, forming a part hereof. --.

**Signed and Sealed this**

*Twelfth* **Day of** *April* 1983

[SEAL]

*Attest:*

GERALD J. MOSSINGHOFF

*Attesting Officer*

*Commissioner of Patents and Trademarks*