

[54] DRILLING MACHINE

[75] Inventors: Noboru Hirose; Yoshinari Mori, both of Nagoya, Japan

[73] Assignee: Brother Industries, Ltd., Nagoya, Japan

[**] Term: 14 Years

[21] Appl. No.: 133,417

[22] Filed: Mar. 24, 1980

[30] Foreign Application Priority Data

Oct. 1, 1979 [JP] Japan 54-41310

[51] Int. Cl. D15-09

[52] U.S. Cl. D15/132

[58] Field of Search D15/132; D8/61; 173/19, 173/148; 408/17, 130, 132-134

[56] References Cited

U.S. PATENT DOCUMENTS

- 2,854,870 10/1958 Chaffee et al. 173/8
- 3,318,391 5/1967 Linsker 173/19
- 3,439,581 4/1969 Wilkins 173/19
- 4,123,188 10/1978 Deremo et al. 408/17

FOREIGN PATENT DOCUMENTS

- 46-336419 8/1971 Japan .
- 46-336826 8/1971 Japan .
- 47-343802 1/1972 Japan .
- 47-344217 1/1972 Japan .
- 47-404320 4/1972 Japan .

Primary Examiner—B. J. Bullock
Attorney, Agent, or Firm—George B. Oujevolk

[57] CLAIM

The ornamental design for a drilling machine, substantially as shown.

DESCRIPTION

- FIG. 1 is a front elevational view of a drilling machine showing our new design;
- FIG. 2 is a rear elevational view;
- FIG. 3 is a side elevational view taken from the left side of FIG. 1;
- FIG. 4 is a side elevational view taken from the right side of FIG. 1;
- FIG. 5 is a top plan view;
- FIG. 6 is a bottom plan view;
- FIG. 7 is a perspective view thereof.

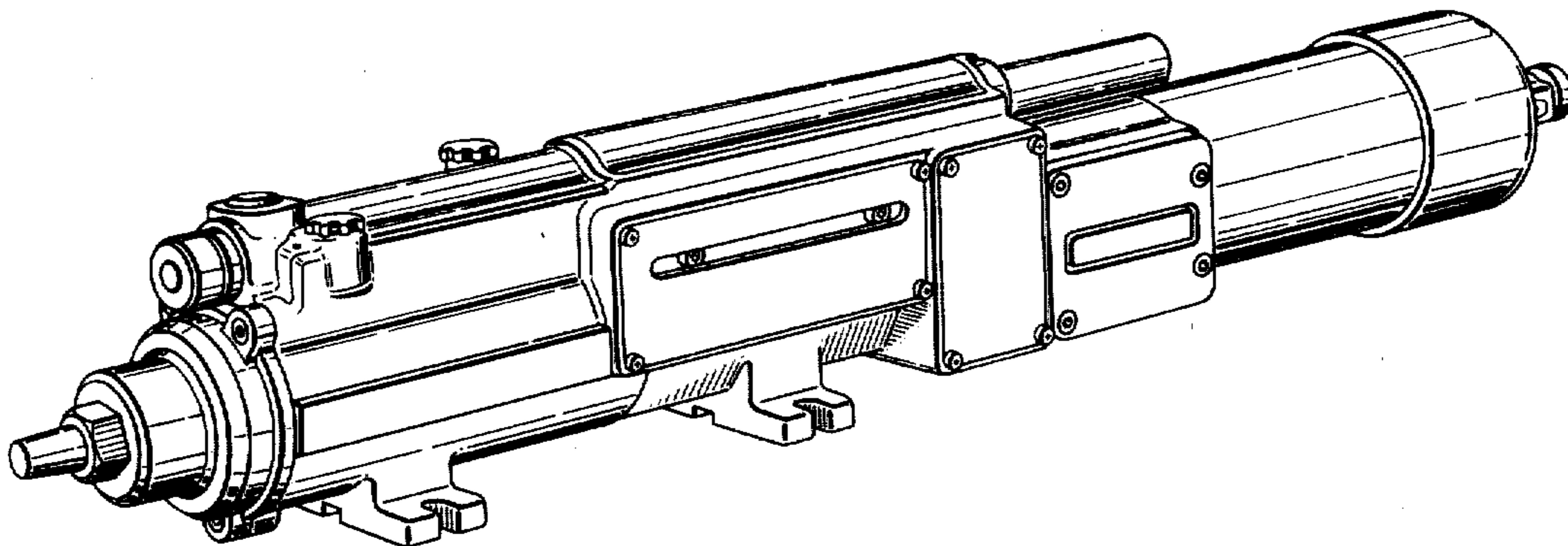


Fig. 1

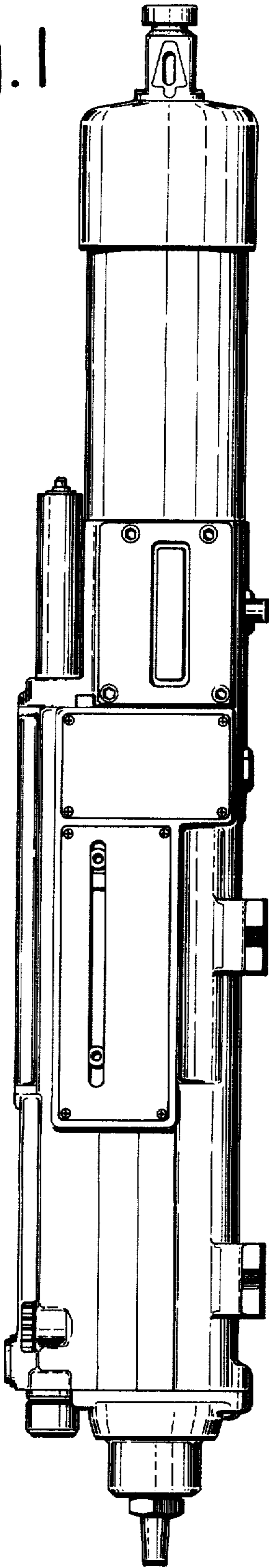


Fig. 2

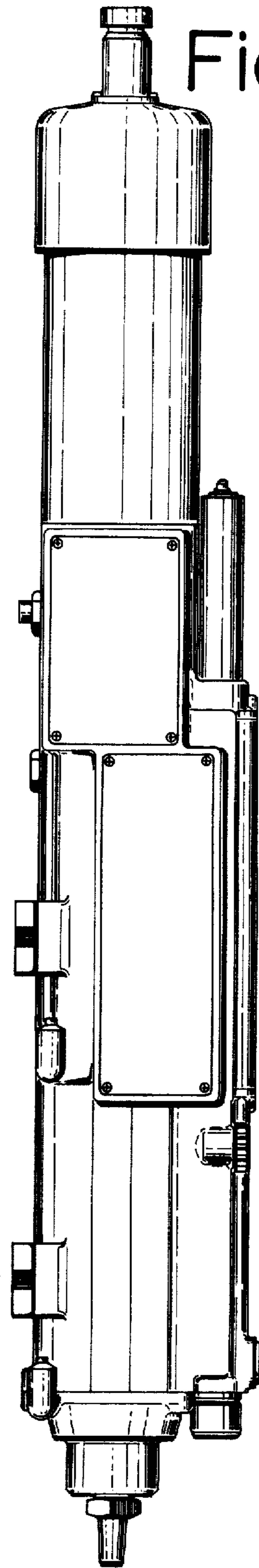


Fig. 3

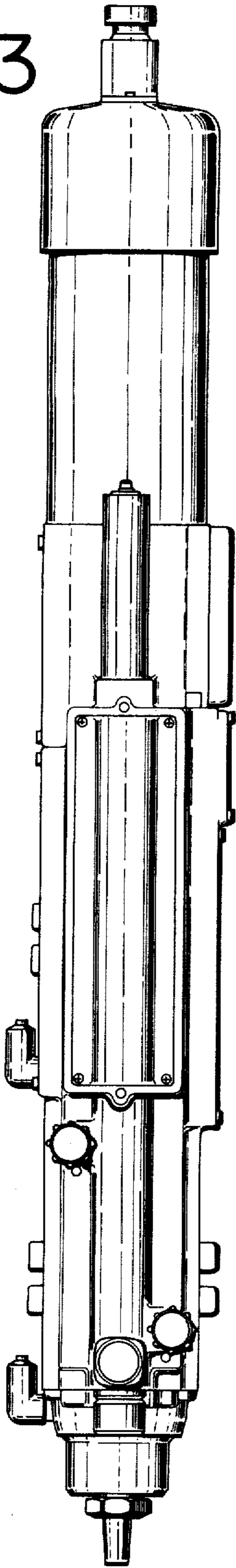


Fig. 4

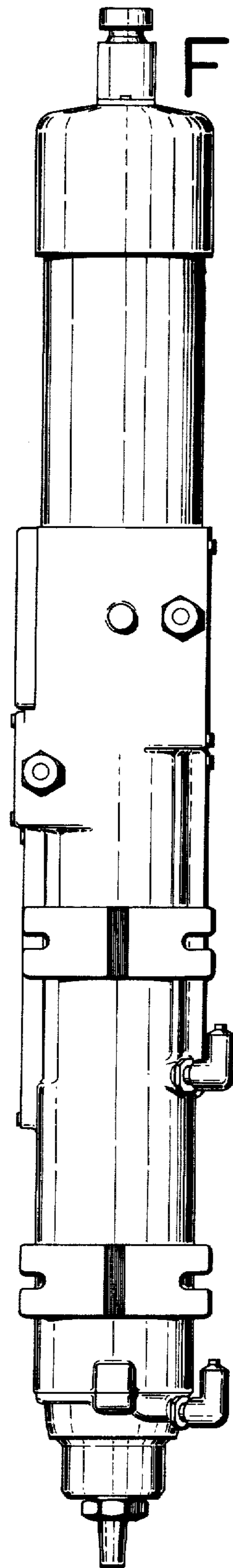


Fig.5

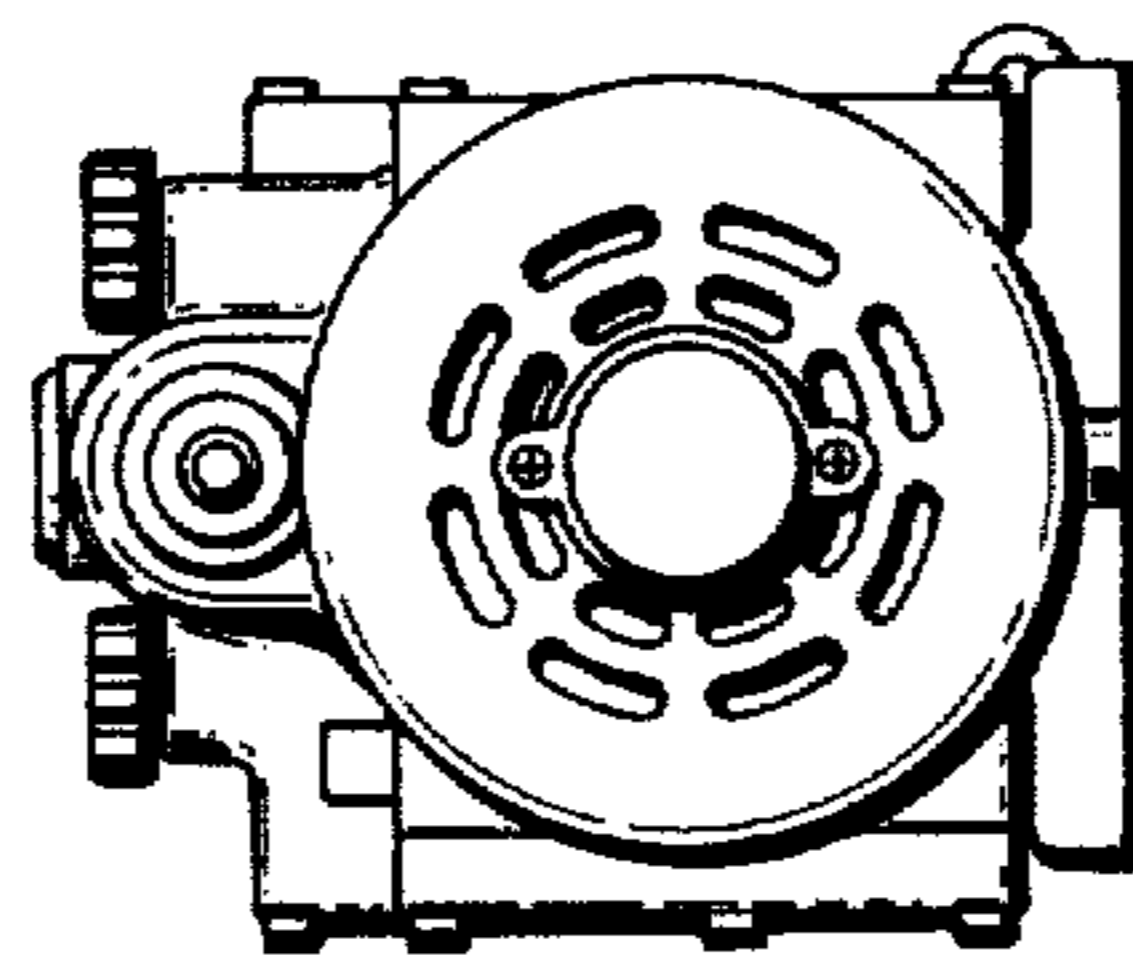


Fig.6

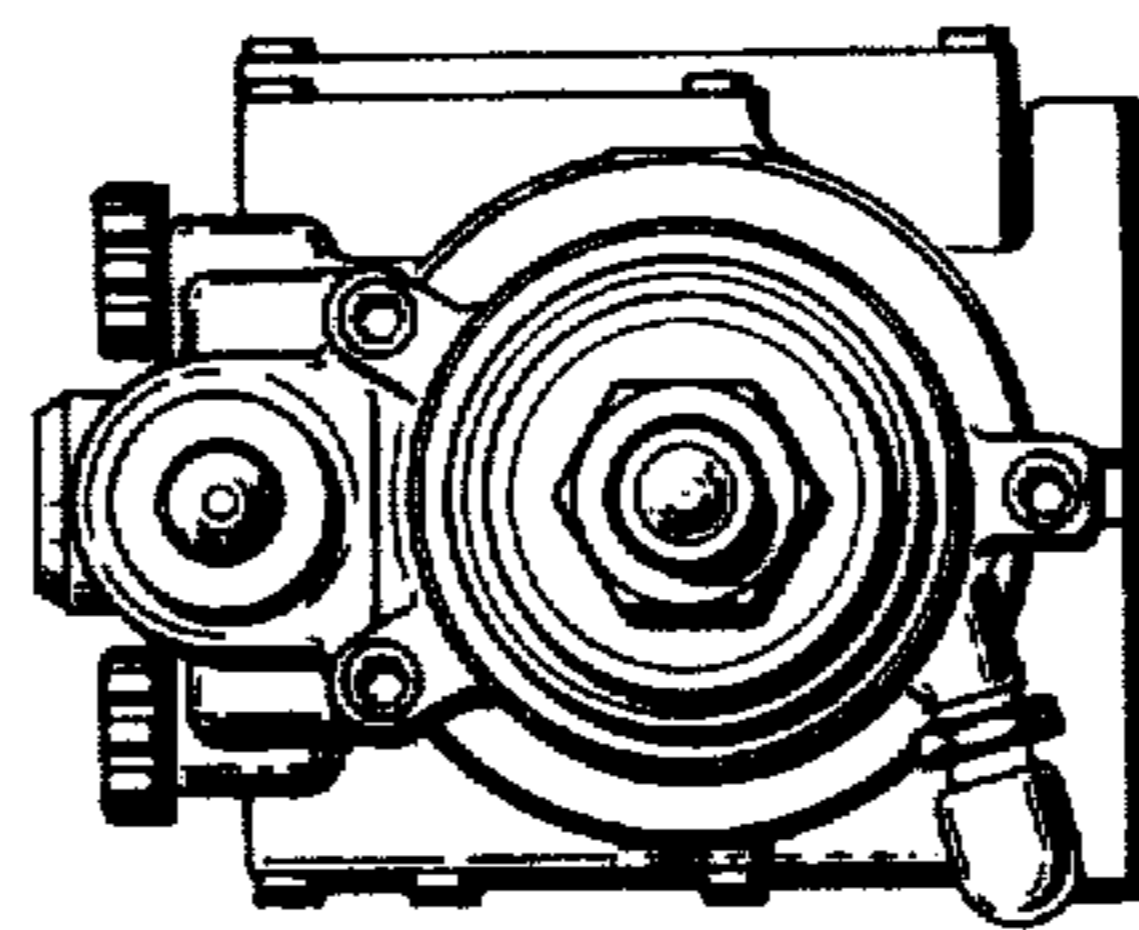


Fig. 7

