

[54] FOLDED LEGER PLATE FOR HEADER COMB TEETH

[76] Inventor: James D. McCarron, 67 Boori St., Peak Hill, New South Wales 2869, Australia

[\*\*] Term: 14 Years

[21] Appl. No.: 171,574

[22] Filed: Jul. 23, 1980

[30] Foreign Application Priority Data

Feb. 5, 1980 [AU] Australia ..... 80,167

[51] Int. Cl. .... D15-03

[52] U.S. Cl. .... D15/28

[58] Field of Search ..... D15/28; 56/116, 505, 56/311, 114

[56] References Cited

FOREIGN PATENT DOCUMENTS

211407 10/1906 Fed. Rep. of Germany ..... 56/311  
409044 4/1934 United Kingdom ..... 56/311

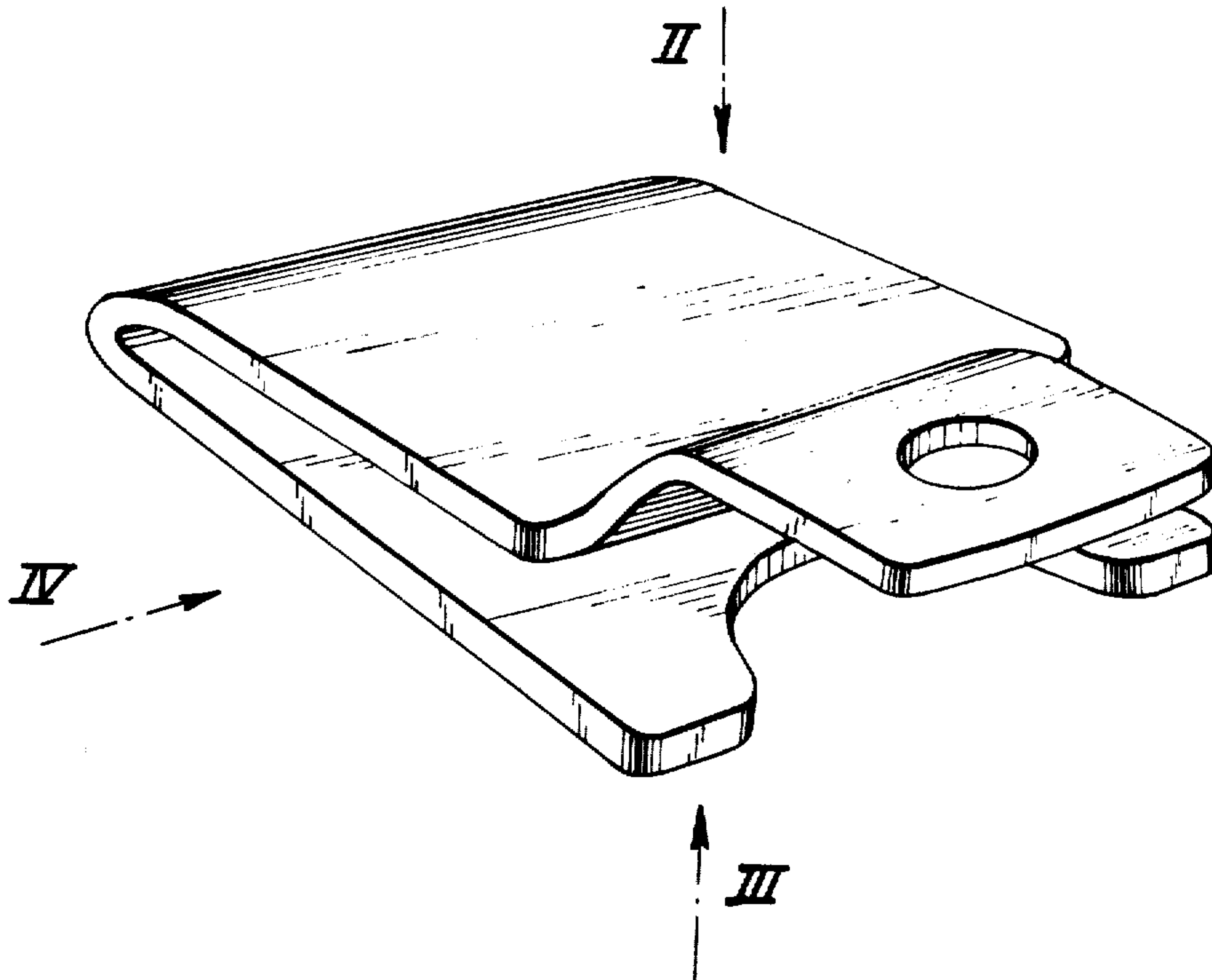
Primary Examiner—James M. Gandy  
Attorney, Agent, or Firm—Ladas & Parry

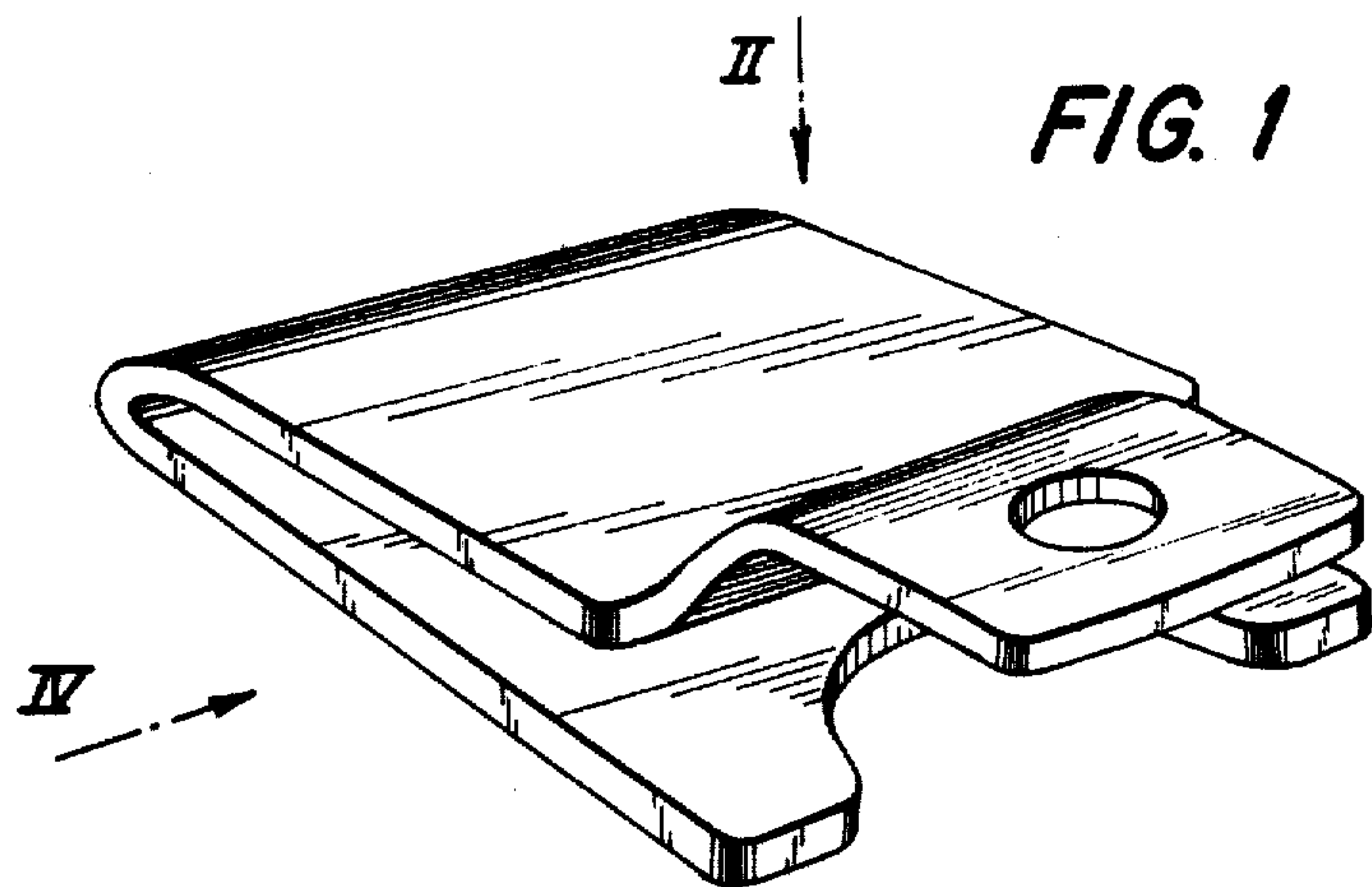
[57] CLAIM

The ornamental design for a folded leger plate for header comb teeth, as shown.

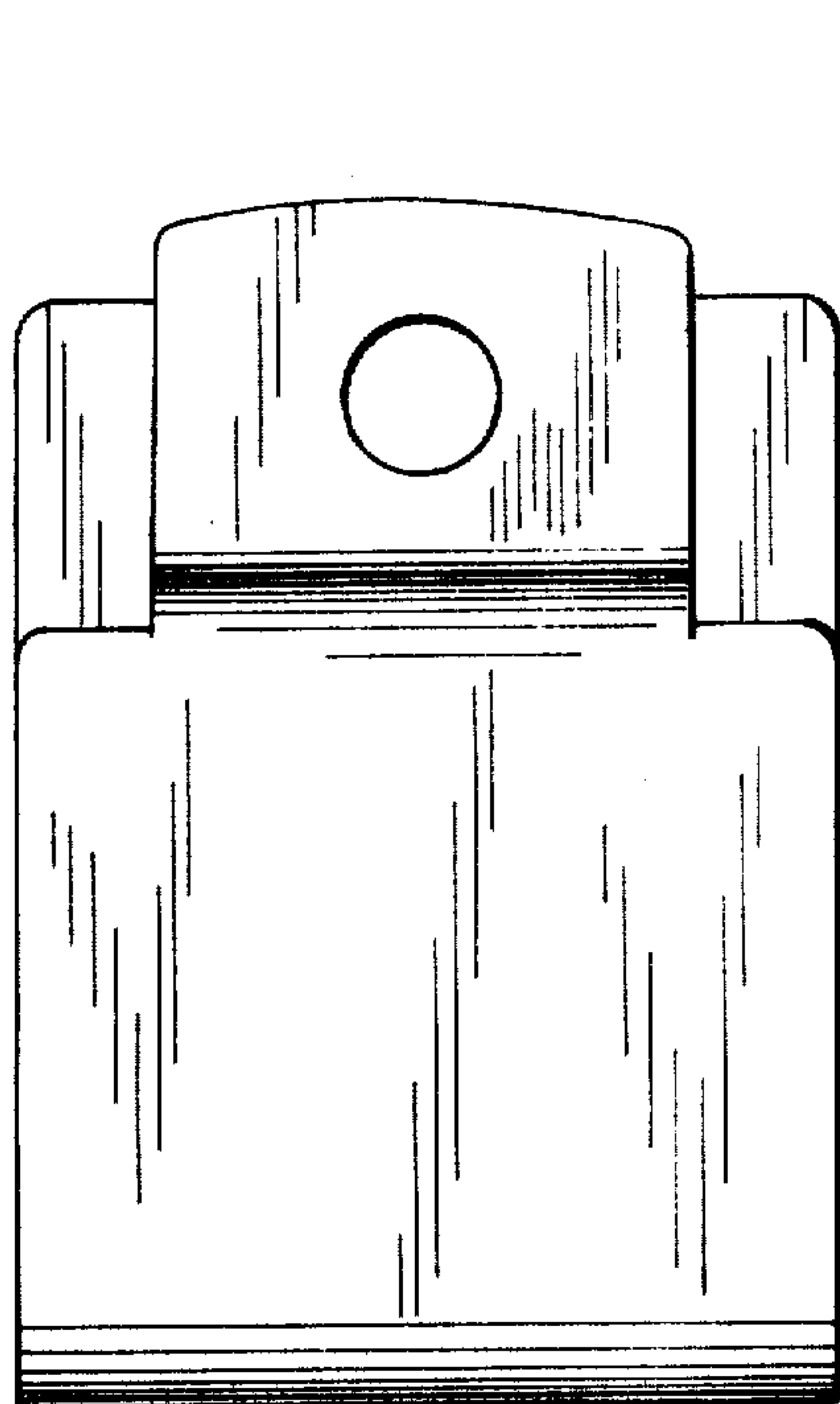
DESCRIPTION

FIG. 1 is a perspective view of a folded leger plate for header comb teeth showing my new design; FIG. 2 is a top plan view; FIG. 3 is a bottom plan view; and FIG. 4 is a side elevational view.

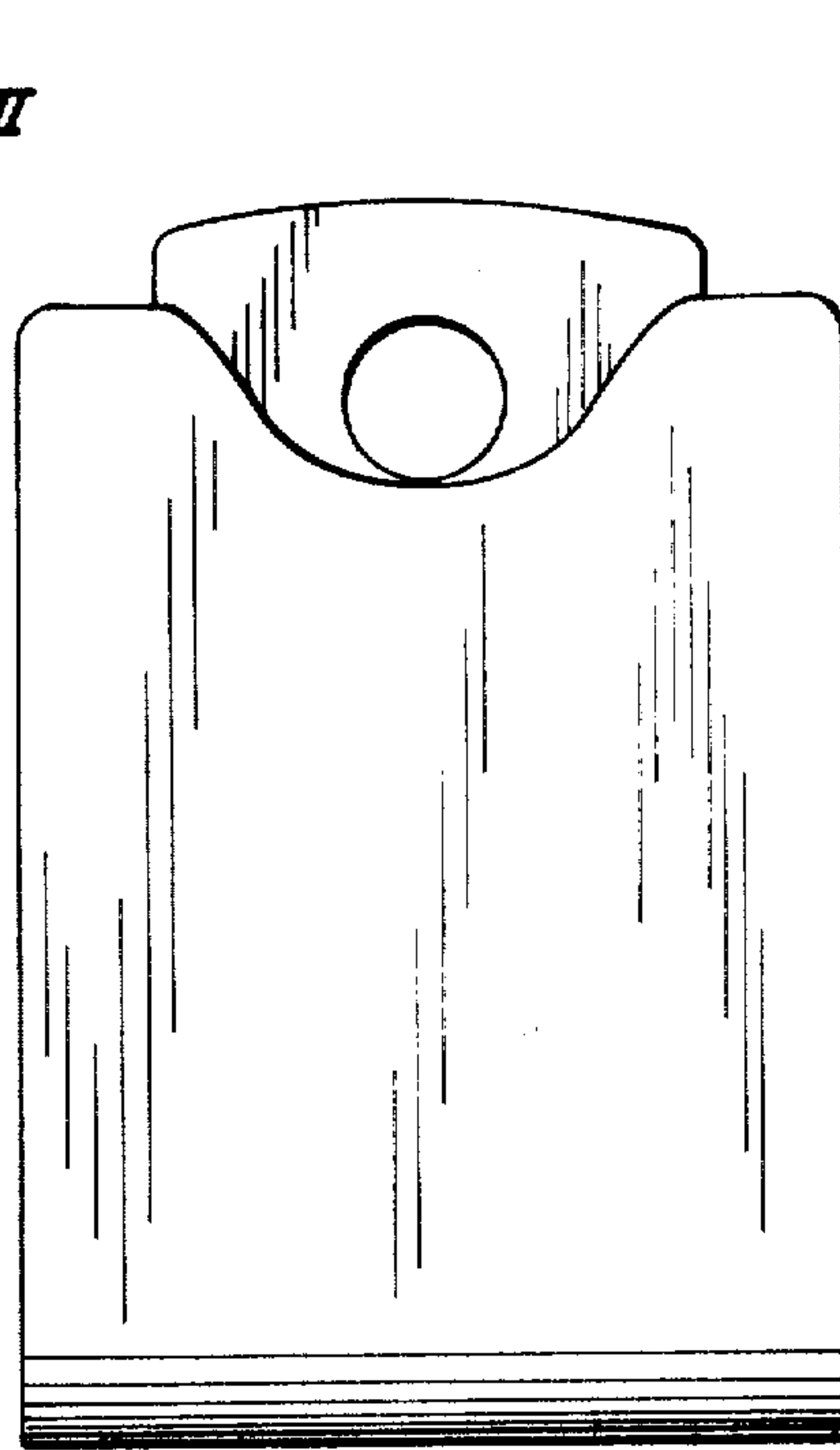




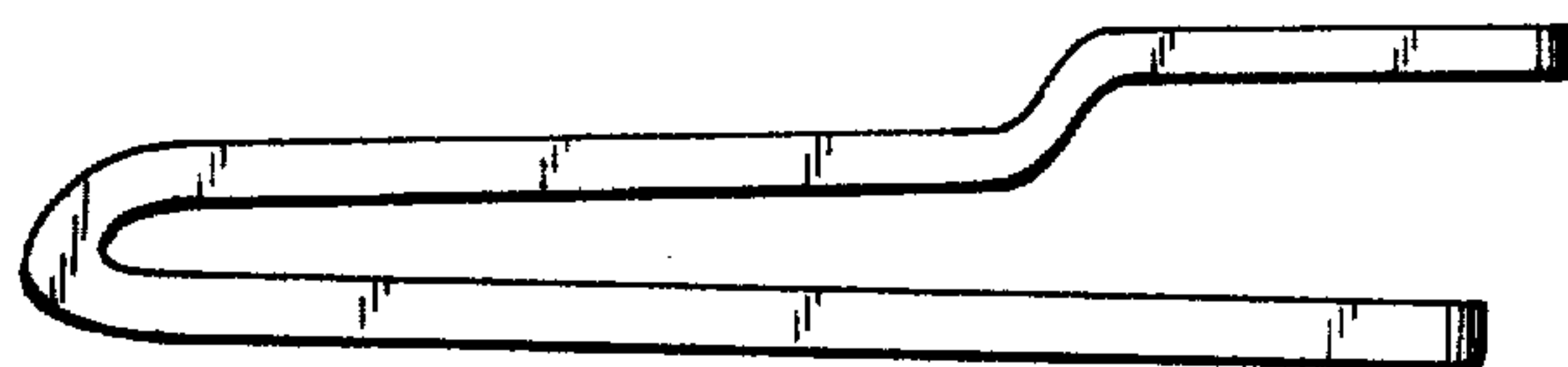
**FIG. 1**



**FIG. 2**



**FIG. 3**



**FIG. 4**